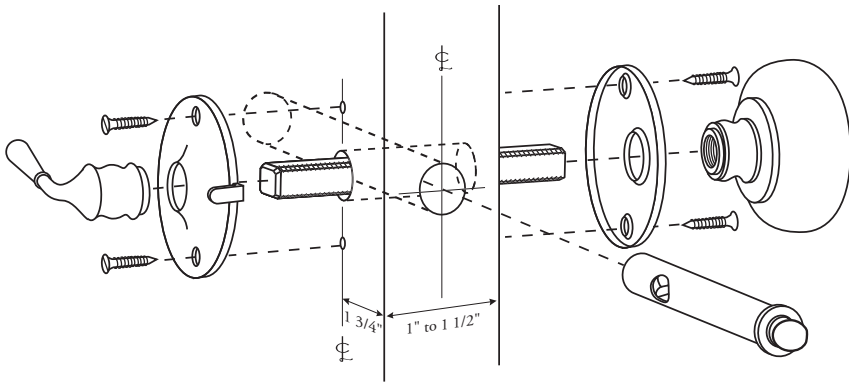


Screen Door Latch Installation Instructions

Position screen door latch to avoid existing entry set.

- 1) Drill 5/8" diameter spindle hole through door face, with center 1 3/4" from door edge.
- 2) Drill 5/8" diameter latch hole, 2 3/4" deep, in center of door edge, aligned with spindle hole.
- 3) Insert the latch assembly.
- 4) Push latch tongue in completely while inserting spindle through spindle hole, with open side away from door edge, through spindle hole.
- 5) Mount plates, knob and lever handle.
- 6) For strike, drill 3/4" diameter hole 1/2" deep in door jamb opposite latch center. Mortise strike 1/16" deep



REJUVENATION®

2550 N.W. Nicolai Street, Portland, Oregon 97210 • Sales & Service (888) 401-1900 • rejuvenation.com