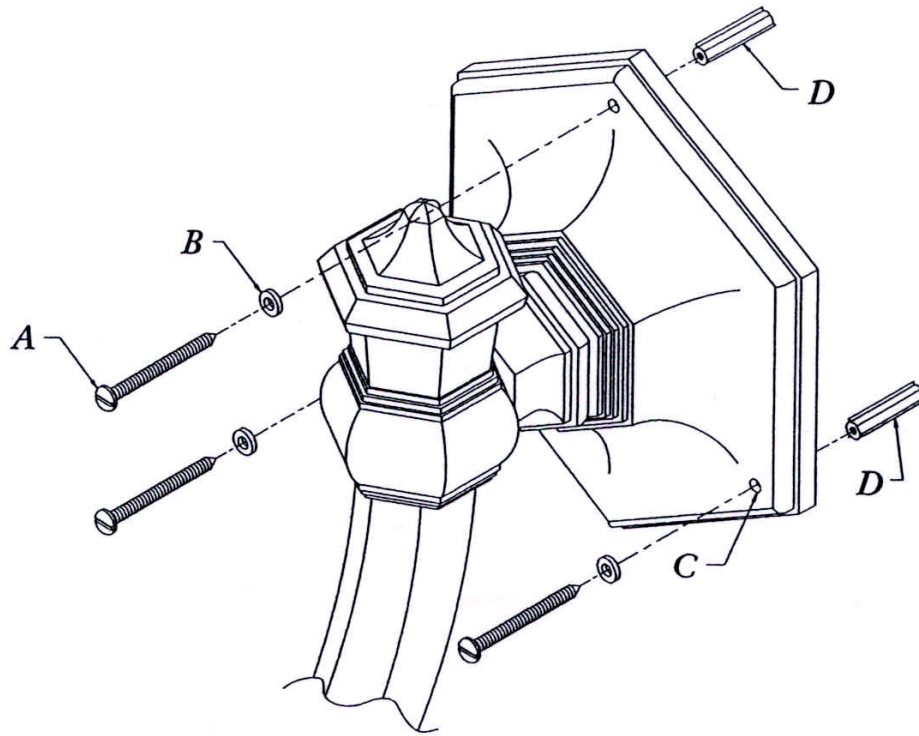


# FIXTURE INSTALLATION

Surface mounted (no crossbar) fixtures



NOTE: For larger fixtures, you may want to enlist some help. We have found that things go more smoothly if one person holds the fixture close to the wall while the other person connects the wiring.

1. Hold the fixture against the wall, centered and straight over the electrical box. Use the fixture as a template to mark the screw hole locations on the wall.
2. If you are mounting the fixture to concrete, brick, or stone, drill  $\frac{1}{4}$ " pilot holes for the plastic screw anchors (D) provided. Be sure the pilot holes are as long as the screws (A). Insert the anchors into the holes. For added strength, you may epoxy the anchors into the holes. If you are mounting the fixture to wood, drill pilot holes appropriate for the screws provided. You will not need the plastic inserts.
3. Holding the fixture close to the electrical box, connect the fixture wires to the house wiring. If your fixture has a bare ground wire, connect it as appropriate for your home's wiring. (*See other side for important wiring information and **UL wet-location** information if applicable.*)
4. Using the screws supplied (A), attach the fixture to the wall through the holes (C). For wet location fixtures, place the small rubber washer (B) between the screw head and the fixture.
5. Flip the switch and enjoy!

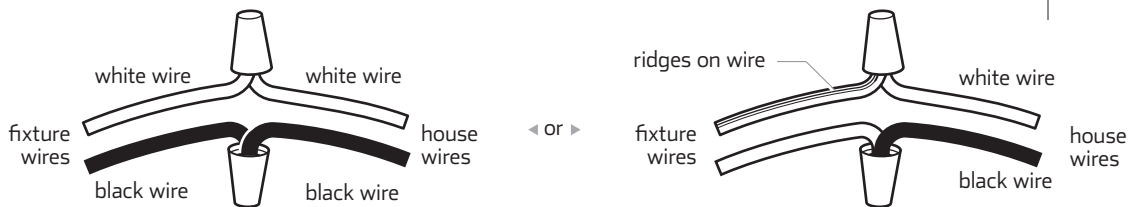
*Please see the instructions in your owner's packet for the long-term care of your fixture.*

# Important Information

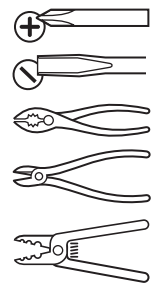
skill level • basic electrician

## Please read before installing your fixture!

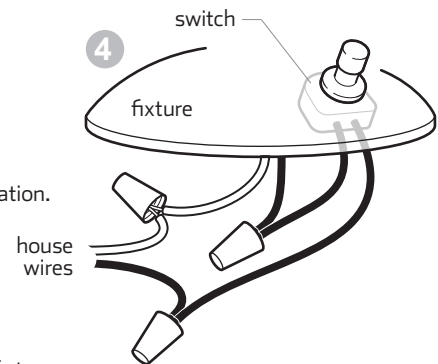
1. Before removing the old fixture or installing the new fixture, shut off the power to the electrical box by removing the fuse or shutting off the circuit breaker for that circuit.
2. Fixture wires must be connected to the appropriate house wires - black fixture wire to black (power) house wire and white fixture wire to white (neutral) house wire. If your fixture has lamp cord wire, connect the smooth fixture wire to the black (power) house wire and connect the fixture wire with the ridges along the outer edge to the white (neutral) house wire.



• toolbox



3. If your fixture has a bare ground wire, where you connect it depends on the wiring in your house. Never connect it to a current carrying wire. If your house has **metal** electrical boxes, connect the fixture ground wire to the green ground screw on the crossbar. If your house is newer or has been rewired and has **plastic** electrical boxes, connect the fixture ground wire to the house ground wire.
4. If your fixture has a switch in the canopy, connect one switch wire to the black (power) wire of the house, and the other to the black wire(s) from the fixture.
5. Leave no bare wires exposed after installation (except the bare ground wire, if any). Stripped ends of joined wires must be completely covered by wire nuts. Make sure that you do not damage the fixture wire insulation or the house wire insulation during installation.
6. Do not leave any wires in contact with sharp metal edges.
7. When installing shades, do not over-tighten the screws holding them. The shade should be held securely, but still be able to be turned in the shade holder.
8. Only use light bulbs of the correct type and no greater wattage than specified for your fixture. Using higher wattage bulbs or certain "decorator" type bulbs will shorten the life of the fixture and may create a fire hazard.
9. Turn off the power to the fixture at the wall or canopy switch before installing light bulbs.
10. If your fixture has become slightly misaligned during shipping you can often "tweak" it back into alignment with a gentle twist. If this doesn't work, give us a call for further advice.
11. If your fixture has a **UL Wet Location Rating**, additional precautions need to be taken. Fixtures with glass shades must be installed shade up. All supplied rubber washers must be installed between screw heads and the fixture canopy. After installation, all wet location fixtures must be caulked with suitable RTV or silicone caulking around the top, sides and bottom of the fixture where they contact the wall, and the top sides, and bottom of the joint between the canopy and the body of the fixture. Drain holes in fixture should be routinely cleaned to prevent an accumulation of water.



### Materials Needed

- Wire connectors (not supplied - the size depends on the number and size of the wires being joined).
- Crossbar mounting screws. These should be supplied with the electrical box. If you need to replace them try 8-32 x 1/2".

**\* If you have any doubts about how to install a light fixture, or if a fixture fails to operate properly, please contact a local licensed electrician.**

## REJUVENATION®