

Inset Mounted Medicine Cabinet Installation Instructions

Please Read: This may not be a do-it-yourself project for everyone. We try to be as thorough as possible with our instructions, but the difficulty involved is relative to your experience and comfort with carpentry. If your wall is stripped down to the studs, the project is certainly easier than tearing out the wall to retrofit. If you do need to retrofit, if terms are unfamiliar, or if you're unsure of your skills, please call a professional carpenter.

That said, you need to know our medicine cabinets are mounted to the wall through the front casing of the cabinet. You will need finish nails or screws (not provided due to varying applications) long enough, approximately 3", to penetrate through the thickness of the front casing (3/4"), the wall surface, and 1-1/2" into the framing.

Includes:

- Cabinet (1)
- Door (1)
- Mirror (1)
- Mirror back board (1)
- Mirror clips (6)
- Phillips-head screws (for mirror) (6)
- Glass shelves (2)
- Shelf clips (8)
- Hinges (2)

Tools Needed:

- Quantity (6) 3" minimum finish nails or screws (not provided)
- Screwdrivers (both flat blade and Phillips)
- Hammer
- Level
- Sandpaper and paint
- Nail set

Rough In Dimensions:

- Rough opening dimensions: 19-1/4" wide x 24-1/4" high x 4" deep
- Recessed exterior box dimensions: 18-3/4" wide x 23-3/4" high x 3-3/4" deep

Location Rule of Thumb:

- To locate standard height, measure 42-48" from the floor up the wall to establish bottom of rough opening (40" from floor to bottom edge of mirror to comply with American Disabilities Act).
- To locate opening by bottom edge of cabinet trim installed over tile or wainscot, measure from tile or wainscot up wall 2-3/4" for the Holbrook or Palmer cabinet and 3-3/4" for the Mendenhall or Chenowith cabinet.

Installation:

- On side rails of the casing, determine 3 nail or screw locations on each side by aligning cabinet with framing on either side of the rough opening. (See Diagram A). **Note:** Be sure all six fasteners will go into framing, and hand tighten all screws.
- Pre-drill holes in the cabinet for the nails or screws.
- To prevent cold air leaks, run strips of duct tape over outer box sides to cover shelf holes.
- Lift cabinet into place and align plumb.
- Sink nail or screw at the top on first side, re-check plumb, then sink the other side at the top.
- Sink remaining four nails or screws.
- Fill and sand nail or screw holes.
- Pre-drill hole(s) in door frame for knob or pull.
- Lightly sand and apply two coats of paint to the wood. The primer is compatible with all paints.
- Install mirror and backer board in door using the 6 mirror clips and screws provided. (See Diagram B).
- Attach cabinet door with the pair of hinges provided.
Note: The brass screws provided are very soft. Be sure to lubricate the screw threads with soap before driving them into the wood. Hand tighten all screws.
- Install glass shelves using the eight shelf clips provided. (See Diagram C).
- Install cabinet knob or pull, if purchased.

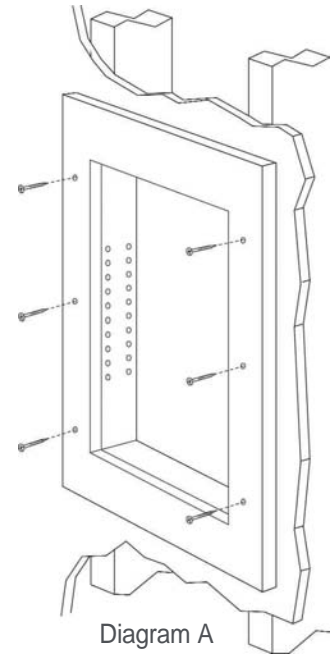


Diagram A

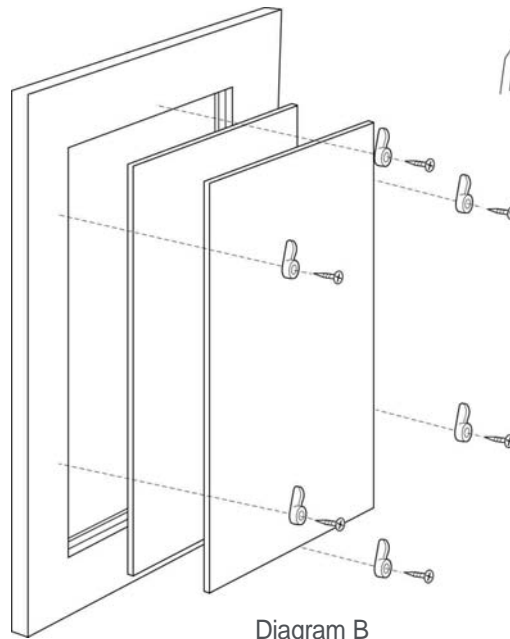


Diagram B

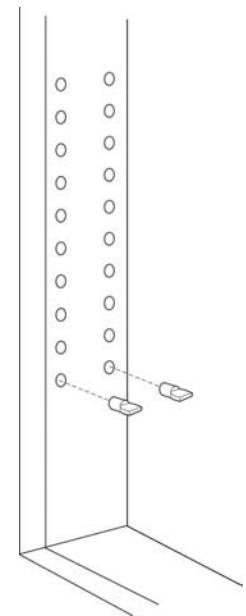


Diagram C

REJUVENATION®

2550 N.W. Nicolai Street, Portland, Oregon 97210 • Sales & Service: (888) 401-1900 • rejuvenation.com

Surface Mounted Medicine Cabinet Installation Instructions

Includes:

- Cabinet (1)
- Door (1)
- Mirror (1)
- Mirror back board (1)
- Mirror clips (6)
- Phillips-head screws (for mirror) (6)
- Glass shelves (2)
- Shelf clips (8)
- Hinges (2)
- Cleats (2)
- Screws for cleats (2)

Tools Needed:

- Quantity (2) Screws or hollow wall anchors
- Screwdrivers (both flat blade and Phillips)
- Hammer
- Level
- Sandpaper and paint

Location Rule of Thumb:

- To locate standard height, measure 42-48" from the floor up the wall to establish bottom of rough opening (40" from floor to bottom edge of mirror to comply with American Disabilities Act).

Install:

- Install the pre-drilled aluminum cleat on the upper edge of the back of the cabinet box. Be sure to install the cleat parallel to the upper edge of the cabinet, otherwise a level final installation will be very difficult. (See Diagram A)
- Install the second cleat on the wall, keeping in mind the following:
 - 1) The mounting position of the cleat is not at the same height as the upper edge of the cabinet.
 - 2) The cleat should have at least one, preferably two screws into studs. If this is not possible, secure the cleat to the wall using the appropriate

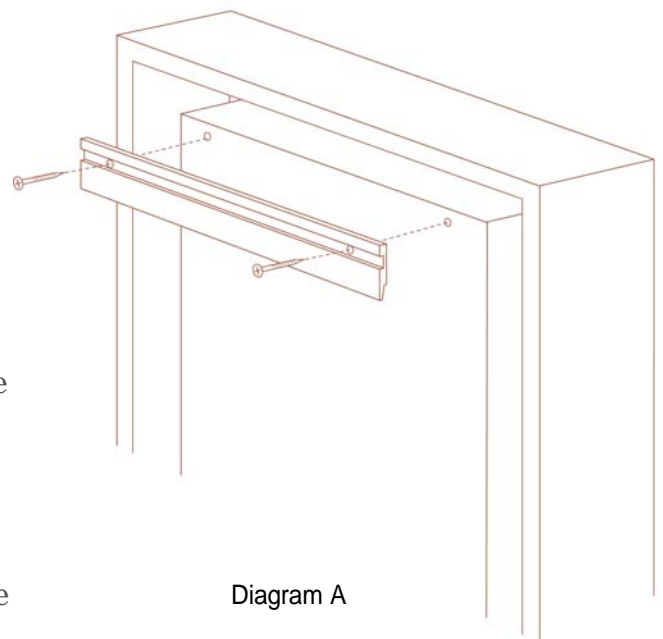
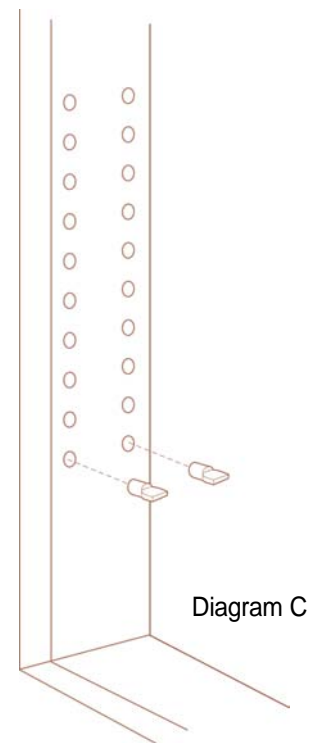
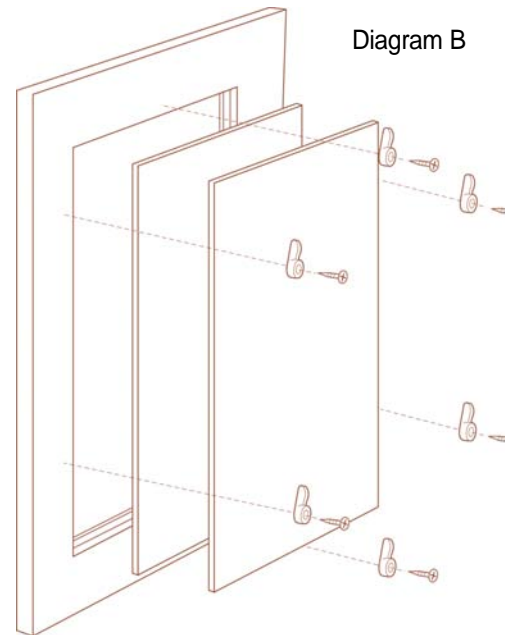


Diagram A

style hollow wall anchors for your wall. We have provided the cleat without holes drilled in it to accommodate the best positioning of the mounting holes.

3) Be very careful to accurately level the cleat when mounting it.

- Pre-drill hole(s) in the door frame for the knob or pull.
- Lightly sand the parts of the cabinet that will be visible after installation.
- Apply 2 coats of paint to the cabinet. The medicine cabinet comes with one coat of primer ~ a pigmented shellac that is suitable for all types of finish paint.
- Install mirror and backer board in door using the six mirror clips and screws provided. (See Diagram B)
- Attach cabinet door using the supplied hinges.
Note: The brass screws provided are very soft. Be sure to lubricate the screw threads with soap before driving them into the wood. Hand tighten all screws.
- Install the cabinet on the previously mounted cleat on the wall. Lightly tap the top of the cabinet to seat the two cleats fully together. If the cabinet is not level and plumb, check to see that nothing is interfering between the two cleats, and that the wall is not preventing them from fully seating. If there is still a problem, thin shims (flat toothpicks) can be used between the two cleats to level the cabinet.
- Install the glass shelves using the 8 shelf clips provided. (See Diagram C).
- Install the knob or pull.



REJUVENATION®

2550 N.W. Nicolai Street, Portland, Oregon 97210 • Sales & Service: (888) 401-1900 • rejuvenation.com