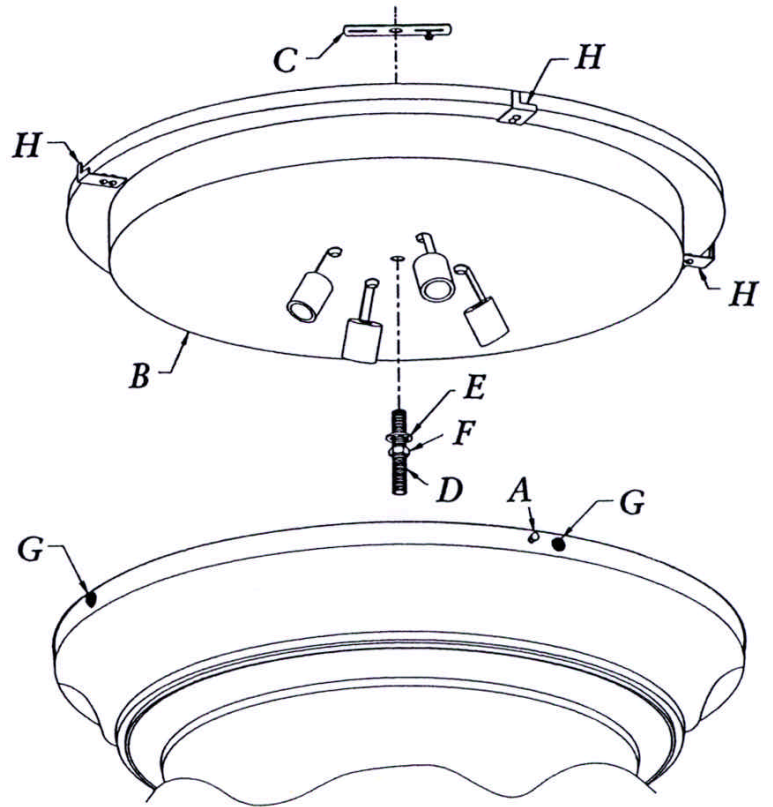


FIXTURE INSTALLATION

Model C919 The Madison Avenue

NOTE: Due to the large size of this fixture, you may need help during installation. We have found that things go more smoothly if one person holds the fixture close to the wall while the other connects the wiring.

1. Loosen the lock screw (A) on the decorative brass shade ring until it is flush with the inside of the ring.
2. Turn the steel pan (B) 2" counterclockwise and lift it out of the ring and shade assembly.
3. Remove crossbar (C) from the threaded pipe (D).
4. Using the screws supplied with the electrical box, attach crossbar (C) to the box.
5. Using the green ground screw on the crossbar (C) connect the house ground wire (if present).
6. Remove the lockwasher (E) and the locknut (F) from the threaded pipe (D). Screw the threaded pipe at least three full turns into the crossbar (C).
7. While holding the fixture pan close to the ceiling, connect the fixture wires to the house wiring. *(See other side for important wiring information.)*
8. Slip the pan (B) over the threaded pipe (D) so that it extends through the hole in the pan. Place the lockwasher (E) over the threaded pipe and screw on locknut (F). Tighten the locknut securely with pliers. The pan should fit firmly against the ceiling.
9. To attach the shade ring assembly to the pan (B), position decorative nuts (G) about 2" to the left of the tabs (H) on the ceiling pan. Twist the shade ring assembly clockwise until it stops. This engages the studs on the back side of the decorative nuts with the tabs on the ceiling pan. **Make sure all four studs are engaged.**
10. Lock the shade ring assembly in place by screwing in the lock screw (A) completely. The shade must be turned fully clockwise before the lock screw will go in all the way. **If the lock screw does not screw in all the way, the fixture is incorrectly installed, and may fall.**
11. Flip the switch and enjoy!



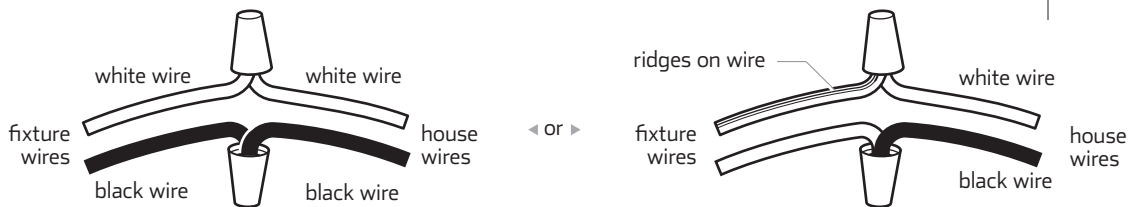
Please see the instructions in your owner's packet for the long-term care of your fixture.

Important Information

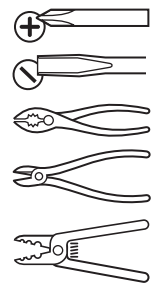
skill level • basic electrician

Please read before installing your fixture!

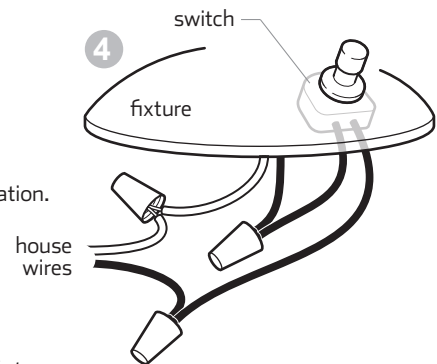
1. Before removing the old fixture or installing the new fixture, shut off the power to the electrical box by removing the fuse or shutting off the circuit breaker for that circuit.
2. Fixture wires must be connected to the appropriate house wires - black fixture wire to black (power) house wire and white fixture wire to white (neutral) house wire. If your fixture has lamp cord wire, connect the smooth fixture wire to the black (power) house wire and connect the fixture wire with the ridges along the outer edge to the white (neutral) house wire.



• toolbox



3. If your fixture has a bare ground wire, where you connect it depends on the wiring in your house. Never connect it to a current carrying wire. If your house has **metal** electrical boxes, connect the fixture ground wire to the green ground screw on the crossbar. If your house is newer or has been rewired and has **plastic** electrical boxes, connect the fixture ground wire to the house ground wire.
4. If your fixture has a switch in the canopy, connect one switch wire to the black (power) wire of the house, and the other to the black wire(s) from the fixture.
5. Leave no bare wires exposed after installation (except the bare ground wire, if any). Stripped ends of joined wires must be completely covered by wire nuts. Make sure that you do not damage the fixture wire insulation or the house wire insulation during installation.
6. Do not leave any wires in contact with sharp metal edges.
7. When installing shades, do not over-tighten the screws holding them. The shade should be held securely, but still be able to be turned in the shade holder.
8. Only use light bulbs of the correct type and no greater wattage than specified for your fixture. Using higher wattage bulbs or certain "decorator" type bulbs will shorten the life of the fixture and may create a fire hazard.
9. Turn off the power to the fixture at the wall or canopy switch before installing light bulbs.
10. If your fixture has become slightly misaligned during shipping you can often "tweak" it back into alignment with a gentle twist. If this doesn't work, give us a call for further advice.
11. If your fixture has a **UL Wet Location Rating**, additional precautions need to be taken. Fixtures with glass shades must be installed shade up. All supplied rubber washers must be installed between screw heads and the fixture canopy. After installation, all wet location fixtures must be caulked with suitable RTV or silicone caulking around the top, sides and bottom of the fixture where they contact the wall, and the top sides, and bottom of the joint between the canopy and the body of the fixture. Drain holes in fixture should be routinely cleaned to prevent an accumulation of water.



Materials Needed

- Wire connectors (not supplied - the size depends on the number and size of the wires being joined).
- Crossbar mounting screws. These should be supplied with the electrical box. If you need to replace them try 8-32 x 1/2".

*** If you have any doubts about how to install a light fixture, or if a fixture fails to operate properly, please contact a local licensed electrician.**

REJUVENATION®