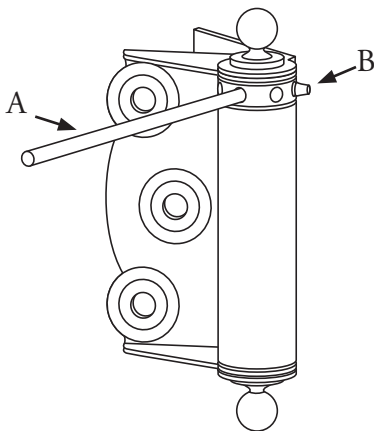


Ball-Tip Screen Door Hinge Adjustment Instructions

To adjust spring tension, insert lever rod (A) into hole and turn to relieve tension on adjustment pin (B).
Move pin to create desired spring tension.



REJUVENATION®

2550 N.W. Nicolai Street, Portland, Oregon 97210
Sales & Service (888) 401-1900 • rejuvenation.com