

FIXTURE INSTALLATION

Model W134 The Forest Grove

For mounting on an electrical box under 4" in diameter:

Refer to Illustration 1

1. Using the screws supplied with the electrical box, attach crossbar (A).
2. Loosen set screw (B) on canopy (C). To avoid scratching, carefully slip the canopy down the pipe away from the wiring.
3. Screw locknut (D) approximately 1/2" down the threaded pipe.
4. Slip the wires through the hole in center of crossbar (A) and turn the fixture clockwise, screwing it securely to the crossbar. Make sure the wires turn with the fixture and do not become twisted.
5. After squaring the fixture to the wall, tighten locknut (D) securely against the crossbar. This prevents movement when changing the light bulb or cleaning the fixture.
6. Connect the wires from the fixture to the house wiring.
(See other side for important wiring information.)
7. Carefully slide canopy (C) up against the wall and tighten the set screw to hold it firmly in place.
8. Flip the switch and enjoy!

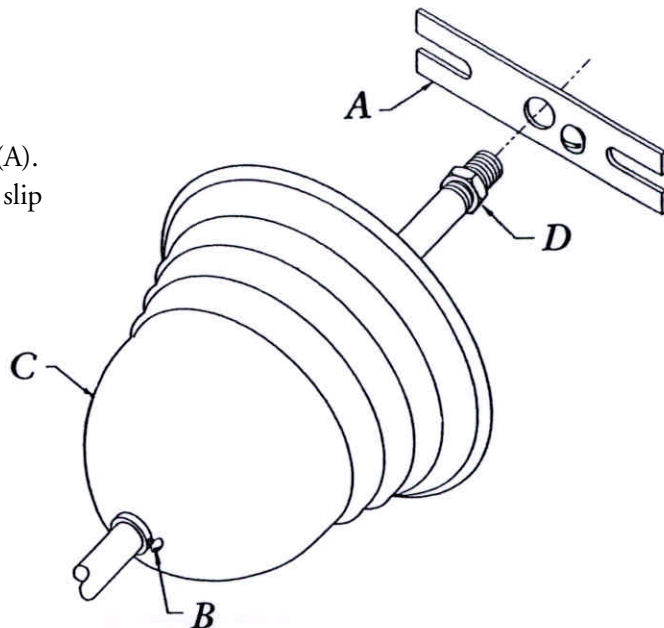


Illustration 1

For mounting on an electrical box over 4" in diameter:

Refer to Illustration 2

1. Thread the brass screws (B) provided all the way into threaded holes on crossbar (A).
2. Using the screws supplied with the electrical box, attach crossbar (A).
3. Loosen set screw (D) on canopy (C). To avoid scratching, carefully slip the canopy down the pipe away from the wiring.
4. Mount the vase cap (E) on the fixture arm as shown.

Note: Make sure to orient the holes (F) in the vase cap so that the fixture will be square to the room when mounted on the crossbar.

5. While holding the fixture close to the electrical box, connect the fixture wires to the house wiring.
(See other side for important wiring information.)
6. Slip the vase cap (E) over the screws extending from the crossbar.
7. Screw the cap nuts (G) onto the screws and tighten securely.
8. Carefully slide canopy (C) up against the wall and tighten the set screw to hold it firmly in place.
9. Flip the switch and enjoy!

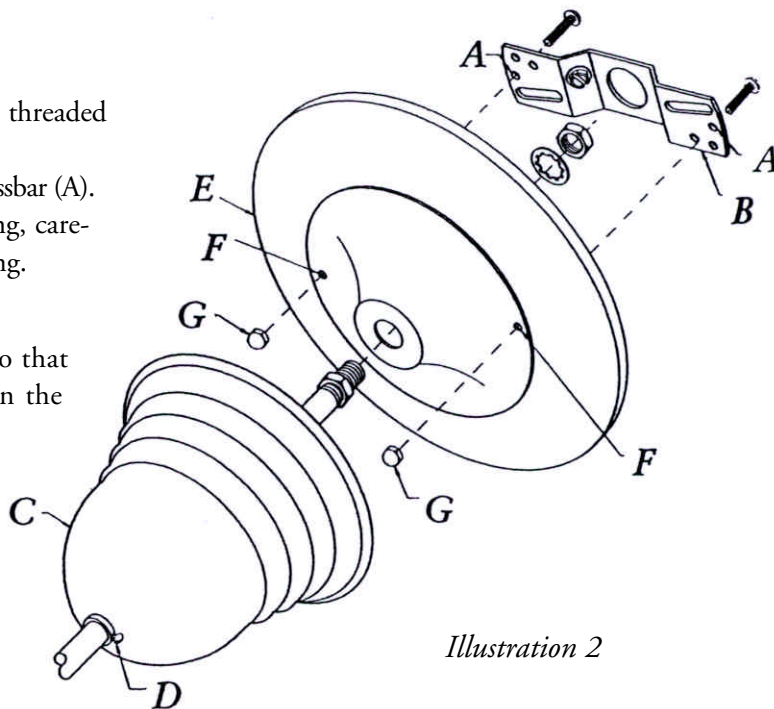


Illustration 2

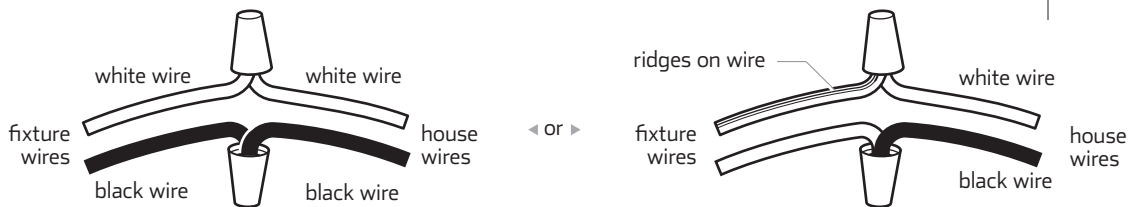
Please see the instructions in your owner's packet for the long-term care of your fixture.

Important Information

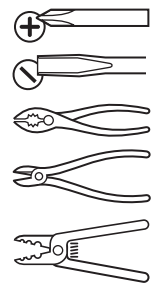
skill level • basic electrician

Please read before installing your fixture!

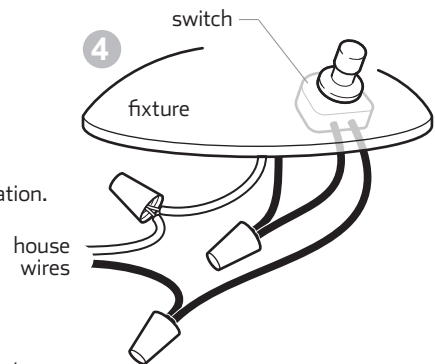
1. Before removing the old fixture or installing the new fixture, shut off the power to the electrical box by removing the fuse or shutting off the circuit breaker for that circuit.
2. Fixture wires must be connected to the appropriate house wires - black fixture wire to black (power) house wire and white fixture wire to white (neutral) house wire. If your fixture has lamp cord wire, connect the smooth fixture wire to the black (power) house wire and connect the fixture wire with the ridges along the outer edge to the white (neutral) house wire.



• toolbox



3. If your fixture has a bare ground wire, where you connect it depends on the wiring in your house. Never connect it to a current carrying wire. If your house has **metal** electrical boxes, connect the fixture ground wire to the green ground screw on the crossbar. If your house is newer or has been rewired and has **plastic** electrical boxes, connect the fixture ground wire to the house ground wire.
4. If your fixture has a switch in the canopy, connect one switch wire to the black (power) wire of the house, and the other to the black wire(s) from the fixture.
5. Leave no bare wires exposed after installation (except the bare ground wire, if any). Stripped ends of joined wires must be completely covered by wire nuts. Make sure that you do not damage the fixture wire insulation or the house wire insulation during installation.
6. Do not leave any wires in contact with sharp metal edges.
7. When installing shades, do not over-tighten the screws holding them. The shade should be held securely, but still be able to be turned in the shade holder.
8. Only use light bulbs of the correct type and no greater wattage than specified for your fixture. Using higher wattage bulbs or certain "decorator" type bulbs will shorten the life of the fixture and may create a fire hazard.
9. Turn off the power to the fixture at the wall or canopy switch before installing light bulbs.
10. If your fixture has become slightly misaligned during shipping you can often "tweak" it back into alignment with a gentle twist. If this doesn't work, give us a call for further advice.
11. If your fixture has a **UL Wet Location Rating**, additional precautions need to be taken. Fixtures with glass shades must be installed shade up. All supplied rubber washers must be installed between screw heads and the fixture canopy. After installation, all wet location fixtures must be caulked with suitable RTV or silicone caulking around the top, sides and bottom of the fixture where they contact the wall, and the top sides, and bottom of the joint between the canopy and the body of the fixture. Drain holes in fixture should be routinely cleaned to prevent an accumulation of water.



Materials Needed

- Wire connectors (not supplied - the size depends on the number and size of the wires being joined).
- Crossbar mounting screws. These should be supplied with the electrical box. If you need to replace them try 8-32 x 1/2".

*** If you have any doubts about how to install a light fixture, or if a fixture fails to operate properly, please contact a local licensed electrician.**

REJUVENATION®