

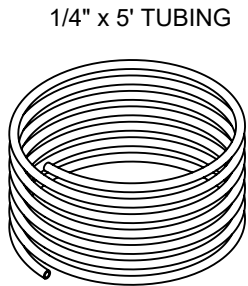
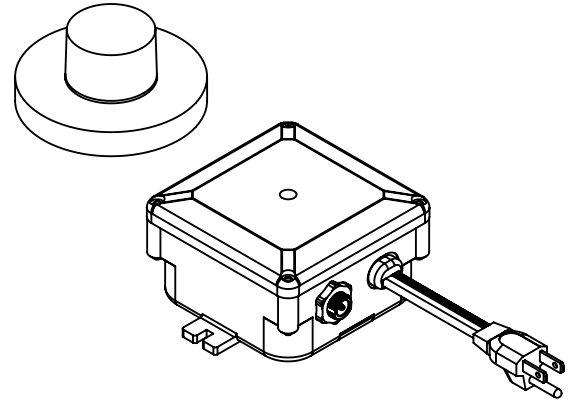
Features

- Available in 28 finishes including 13 PVD finishes
- All brass trim (button & flange)
- Includes 5' flexible tubing
- Control box has dual outlets
- One outlet is always "ON" except when air switch is activated
- 13A (non-inductive) @ 120V AC
- 1/2 HP (.373 kW) @ 120V AC
- 50-60 Hz

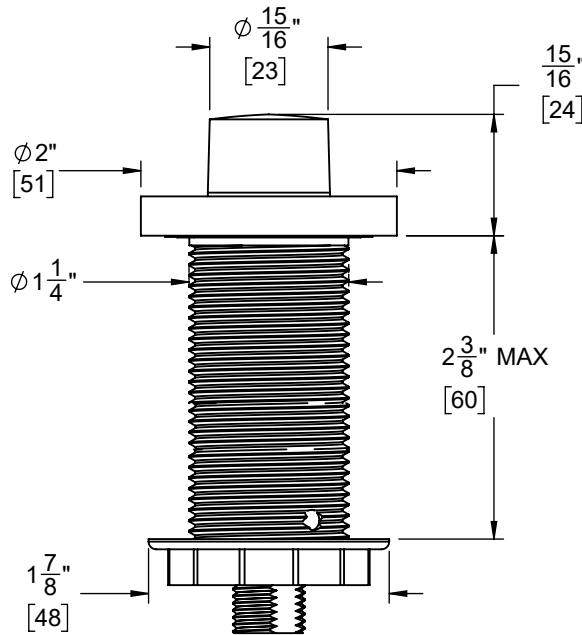
Codes/Standards Applicable

Product meets or exceeds the following:

- UL listed U.S. and Canada (control box)



1/4" x 5' TUBING



THROUGH-HOLE SPECIFICATIONS		
MIN	RECOMENDED	MAX
$\phi 1-1/4"$ [32]	$\phi 1-1/4"$ [32]	$\phi 1-3/8"$ [35]

