

# Oswego Wall Sconce

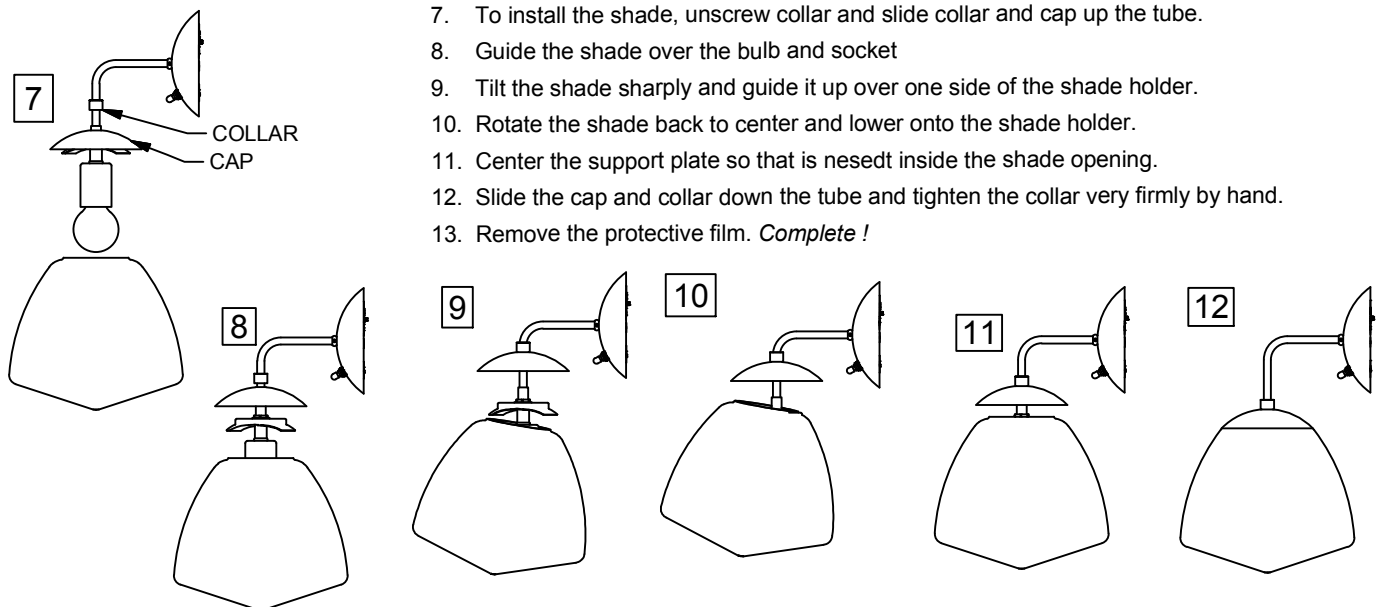
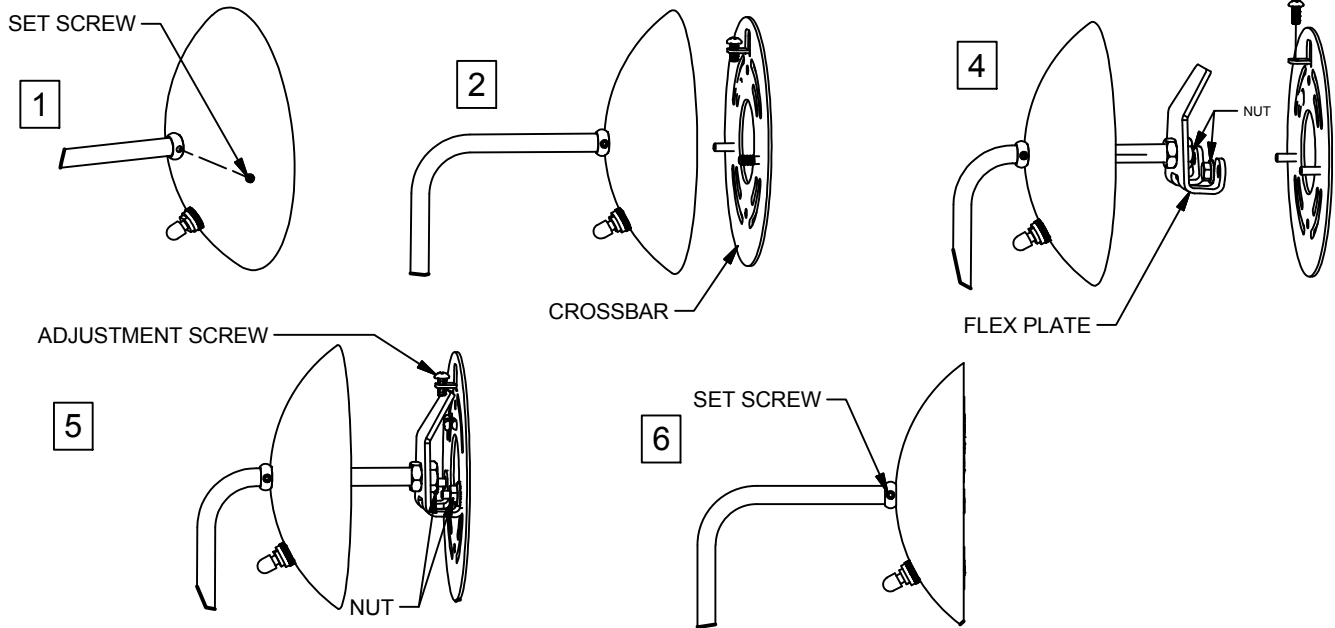
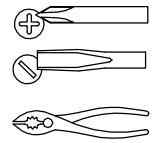
skill level

● basic electrician

## installation instructions

1. Loosen the set screw on the canopy with the provided key and slide canopy away from the crossbar.  
\* Proceed carefully during installation to avoid scratching tube.
2. Attach the crossbar to the electrical box.
3. Hold the fixture close to the wall & make wiring connection according to local electrical codes.
4. Mount the flex plate over the two studs on the crossbar and thread the two flange nuts by hand and then tighten the nuts with an open end wrench or pliers.
5. With the flex plate fully installed, turn the adjustment screw clockwise to hold the plate in place and compensate for any sag in the arm.
6. Slide the canopy up against the wall surface, tighten the set screw.

toolbox



7. To install the shade, unscrew collar and slide collar and cap up the tube.
8. Guide the shade over the bulb and socket
9. Tilt the shade sharply and guide it up over one side of the shade holder.
10. Rotate the shade back to center and lower onto the shade holder.
11. Center the support plate so that is neseedt inside the shade opening.
12. Slide the cap and collar down the tube and tighten the collar very firmly by hand.
13. Remove the protective film. *Complete !*

# REJUVENATION