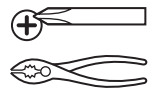


Screw Collar Canopy Fixtures

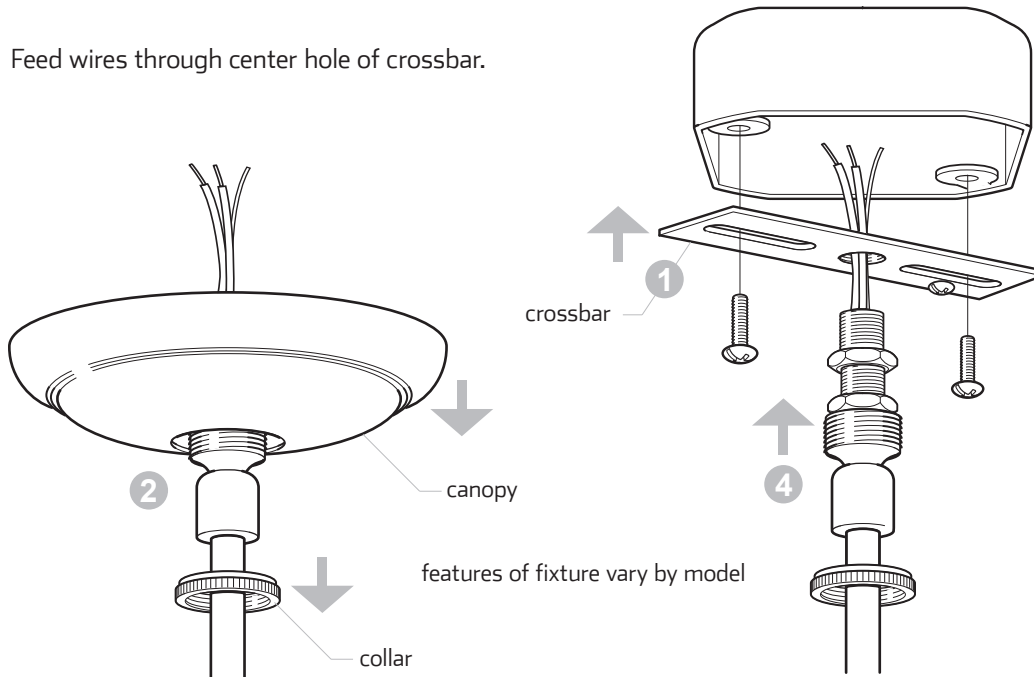
skill level • basic electrician

installation instructions

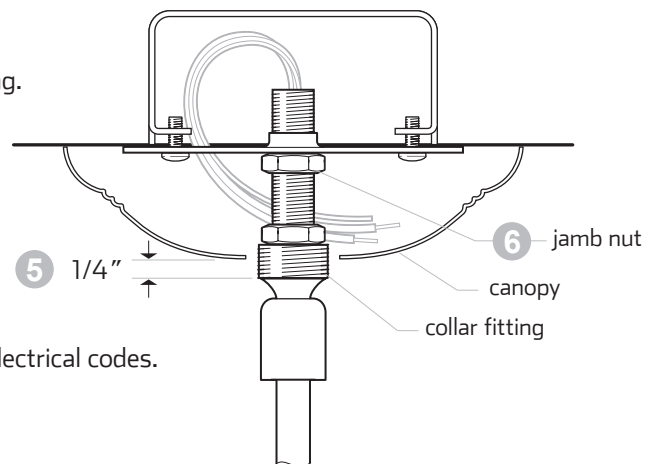
• toolbox



1. Remove crossbar from assembly and attach crossbar to electrical box.
2. Loosen collar and slide canopy and collar down rod or chain.
3. Feed wires through center hole of crossbar.



4. Screw threaded pipe loosely into crossbar.
5. Check fit of canopy by placing it snug against ceiling. Adjust depth of assembly so that collar fitting extends beyond bottom of canopy by 1/4".
6. Tighten jamb nut upward against crossbar to lock assembly in position.
7. Make wiring connections in accordance with local electrical codes. See "Important Information" on reverse side.



8. Slide canopy up against ceiling and secure with collar.

Complete

REJUVENATION®

2550 N.W. Nicolai Street, Portland Oregon 97210 Customer Service: 888 401-1900 rejuvenation.com

Three Piece Round Glass Shade

skill level • handy person

Assembly Instructions

1. Lay a towel or thin blanket on the floor or large table to prevent scratches. Smooth out any wrinkles.
2. Arrange the **glass panels** in a circle on the towel or blanket (see Figure A). Small gaps where the panels meet are okay and characteristic of handmade glass. Your panels may have a different decorative pattern but the assembly procedure is the same.
3. Insert **knurled bolts, rubber washers, brackets** and **knurled nuts** (see Figures B and C). The rubber washers should all be against the glass. The (3) hanger brackets should all be at the top edge of the glass shade assembly. Assemble all brackets loosely. Before tightening, double check order and orientation of parts.
4. Firmly tighten up all knurled bolts and knurled nuts. Only finger tighten, **DO NOT USE WRENCHES OR PLIERS**. This may damage the finish or crack the glass, due to overtightening. Assembly at each glass seam, should look like (Figure D).
5. With a partner, grasp the hang brackets and lift up the shade assembly an inch or two to ensure there are no loose fasteners.
6. Shade assembly is complete!

The next step is to insert suspension rods per *Suspended Rod Ball End Installation Instructions*.

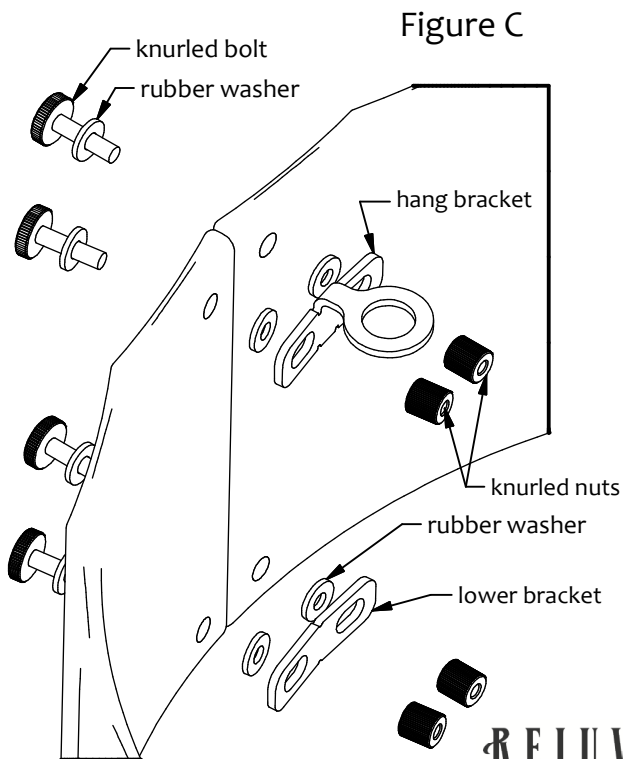
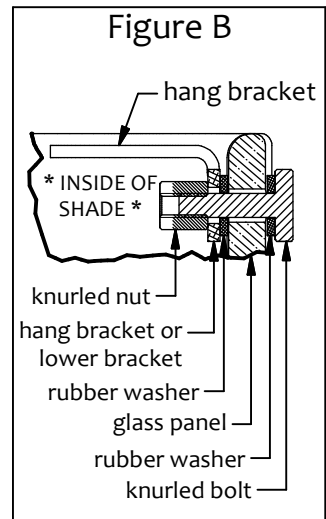
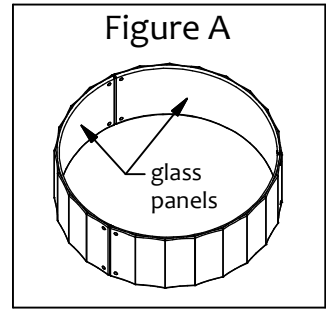
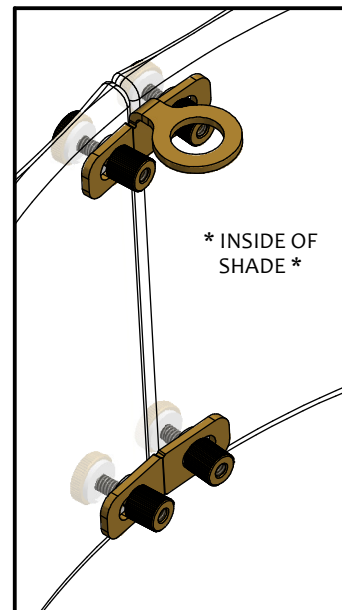


Figure D



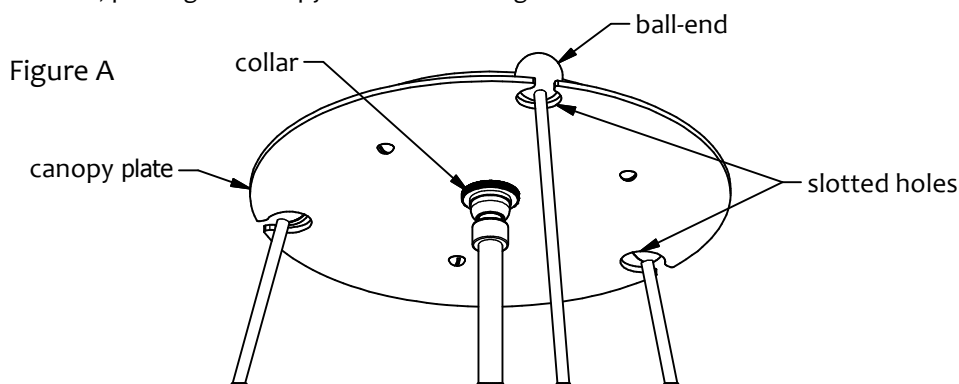
Suspended Rod Ball End

skill level | handy person

installation instructions

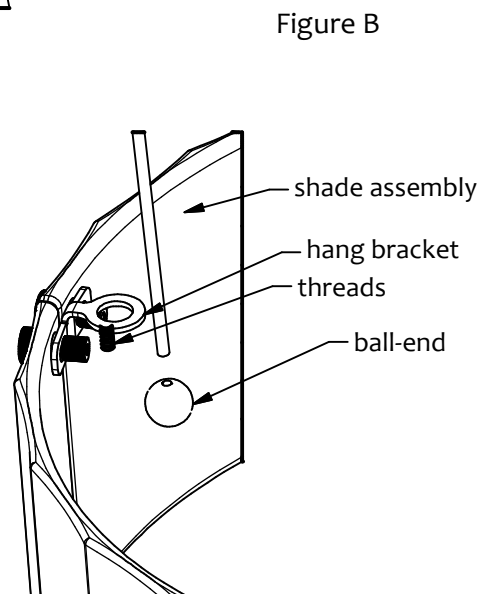
Three People are recommended to complete this installation.

1. Complete center fixture installation according to "**Screw Collar Canopy Fixtures Installation Instructions**" and assemble the shade per "**Assembly Instruction Three Piece Round Glass Shade**".
2. In preparation, locate the (3) **rods** with one **ball end** pre-attached. To hang them from the **canopy plate**, you will need to temporarily un-screw the **collar** holding the canopy, and lower the canopy enough to pass the ball between ceiling and plate.
3. Slide the rod through one of the **slots** to the **hole**. The ball end should seat in the large hole of the canopy plate. (see Fig. A) Repeat for remaining (2) rods.
4. Re-tighten the **collar**, pushing the canopy back to the ceiling.



5. Locate the remaining (3) ball ends (not attached).
6. It is now time to lift and hang the shade assembly. With (2) people lift the **shade assembly** under, then up and around the fixture sockets.
7. The third person will position shade and insert a **rod end** through a **hang bracket** of the **shade assembly** and screw on the second **ball-end** (see Fig. B). Repeat for all (3) rods at each hang bracket. Screw ball-ends on until tight. There should be no exposed **threads**.

8. Ensure the ball-ends are seated in the hang brackets and the slotted holes of the canopy as you slowly and gently allow the shade assembly to hang. You can expect the shade panels to settle slightly, as it hangs.



Installation complete!

REJUVENATION