

# REJUVENATION

## Astor LED Flush Mount Assembly and Installation Instructions

### CAUTION:

- BEFORE INSTALLING FIXTURE, MAKE SURE THE POWER TO THE CIRCUIT IS TURNED OFF AT THE MAIN FUSE BOX / CIRCUIT BREAKER UTILITY BOX.

### Important Safety Instructions:

- These instructions are provided for your safety. It is very important that they are read carefully and completely before beginning the assembly and installation of this lighting fixture.
- We strongly recommend that a professional electrician install all direct wire fixtures.
- THIS PRODUCT MUST BE INSTALLED IN ACCORDANCE WITH THE APPLICABLE INSTALLATION CODES BY A PERSON FAMILIAR WITH THE CONSTRUCTION AND OPERATION OF THE PRODUCT AND THE HAZARDS INVOLVED.
- The lighting fixture is meant for indoor use. It must be connected only to 3-wire, single-phase electrical supply systems (provided with Ground wire or equivalent protection system).
- For your safety, it is strongly recommended that two people install the lighting fixture.
- The lighting fixture is meant for indoor use, DAMP LOCATIONS ONLY.
- **Save these instructions.**

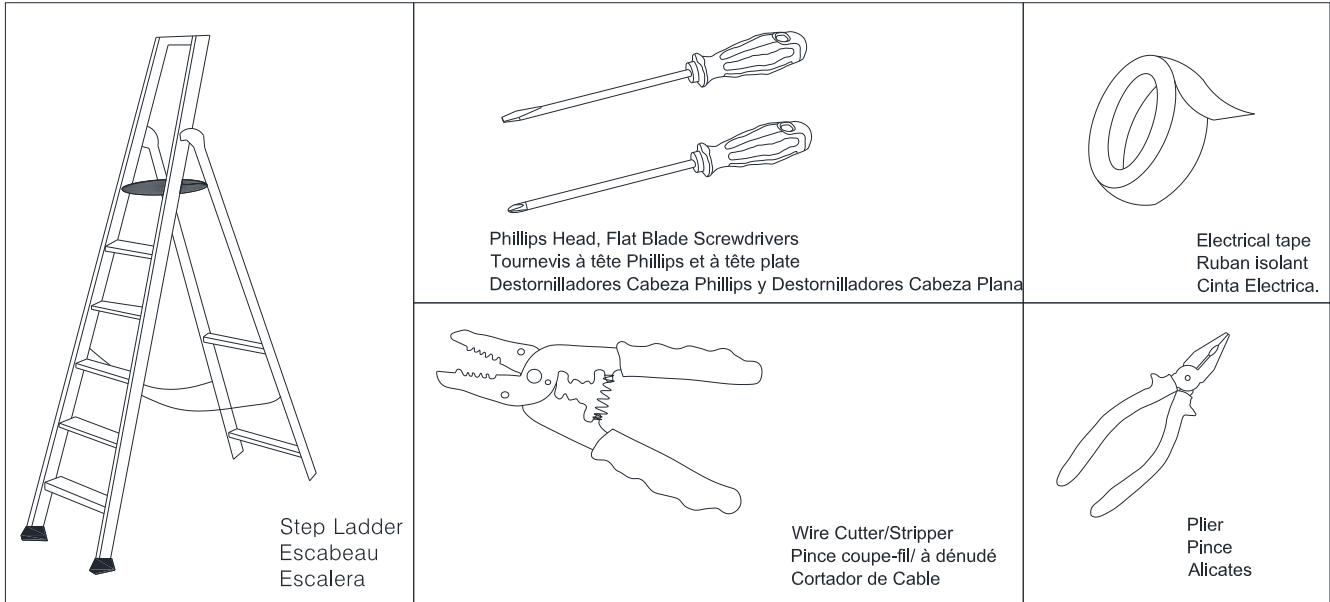
### WARNING:

- **Do not touch LED bulb when fixture is turned on. Do not look directly at lit LED bulb.**
- **Keep flammable materials away from lit LED bulb.**
- This lighting fixture contains lead, a chemical known to the State of California to cause cancer, birth defects and other reproductive harm. Wash hands after installing, handling, cleaning or otherwise touching this light fixture.

### Pre-assembly:

- Remove all parts and hardware from box along with any plastic protective packaging.
- Do not discard any contents until after assembly is complete to avoid accidentally discarding small parts or hardware.
- For your safety and convenience, assembly by two people is recommended.

**TOOLS REQUIRED (not included): (next page)**

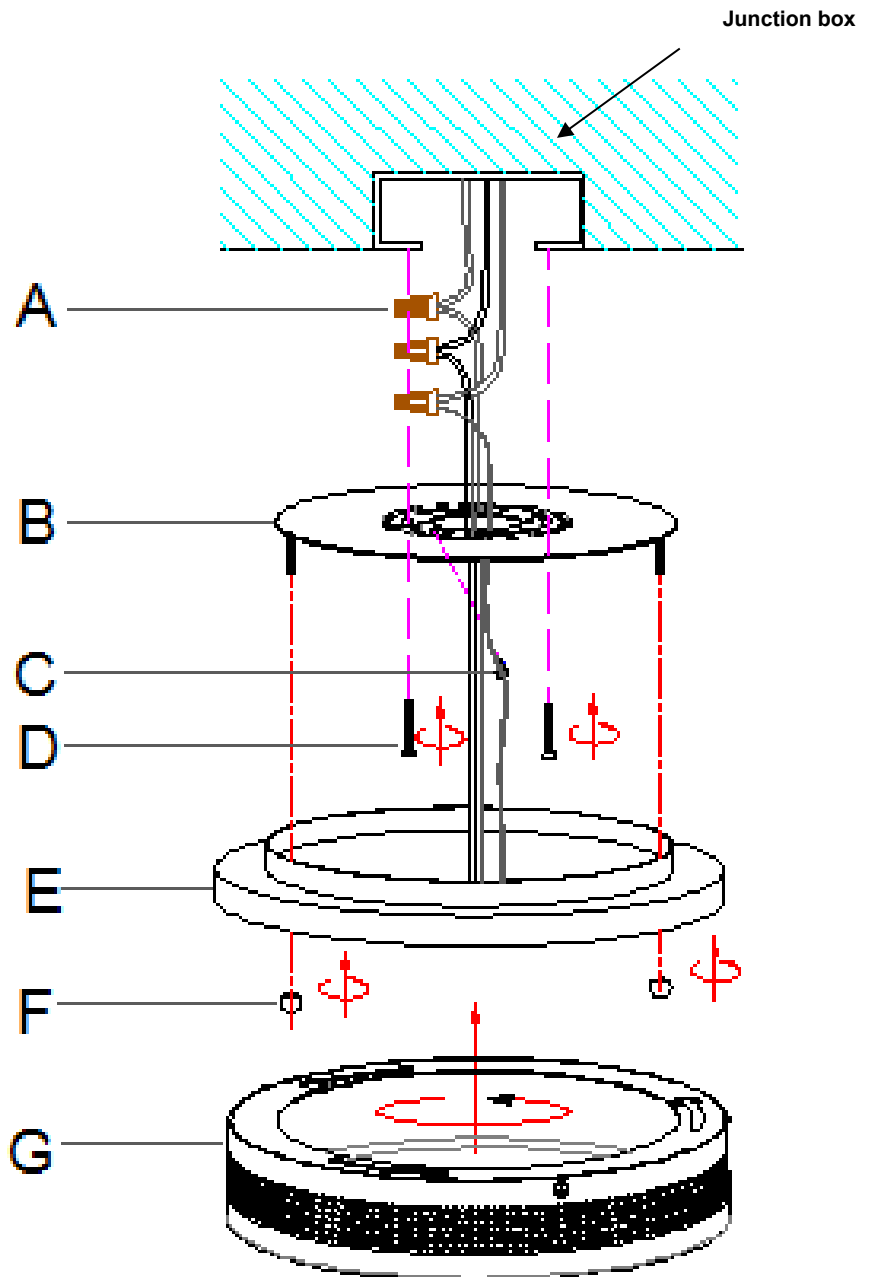
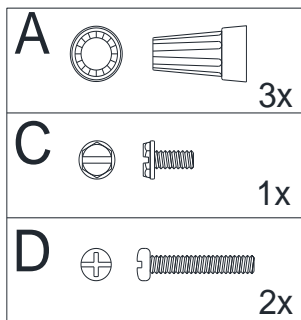


**Parts Included:**

- (B) Mounting Plate (1)
- (E) Canopy (1)
- (F) Canopy Nuts (2)
- (G) Lamp body (1)

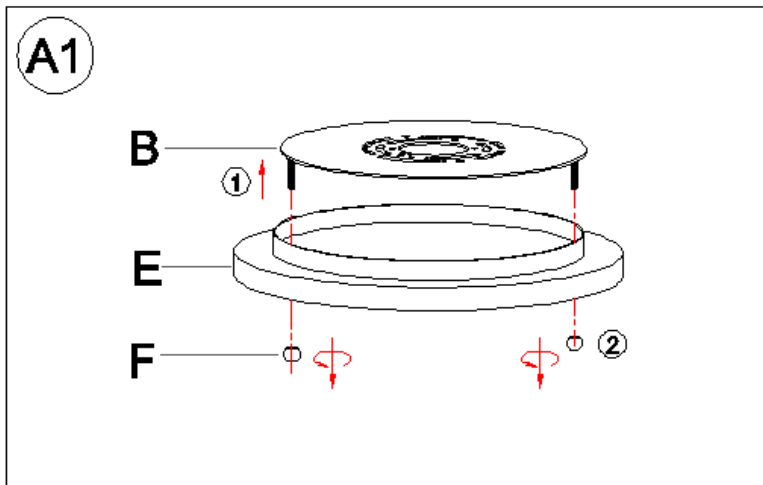
**Hardware Enclosed:**

- (C) Green Ground Screw (1)
- (A) Plastic Wire Nut Connectors (3)
- (D) Mounting Screws (2)

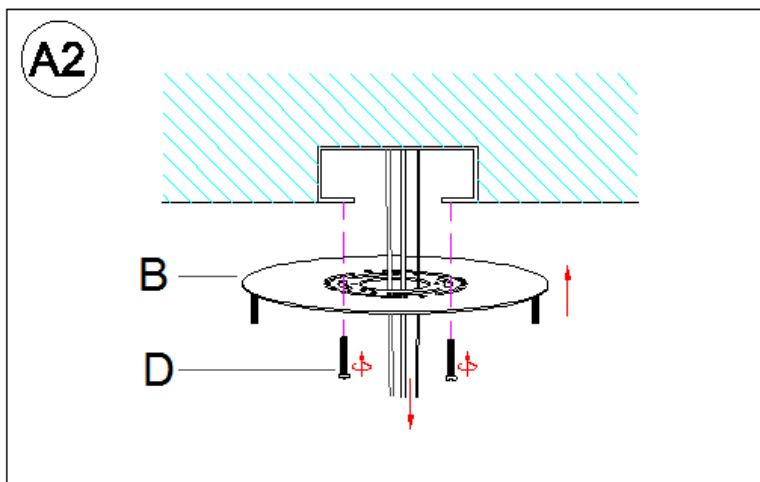


## Assembly & Installation Instructions:

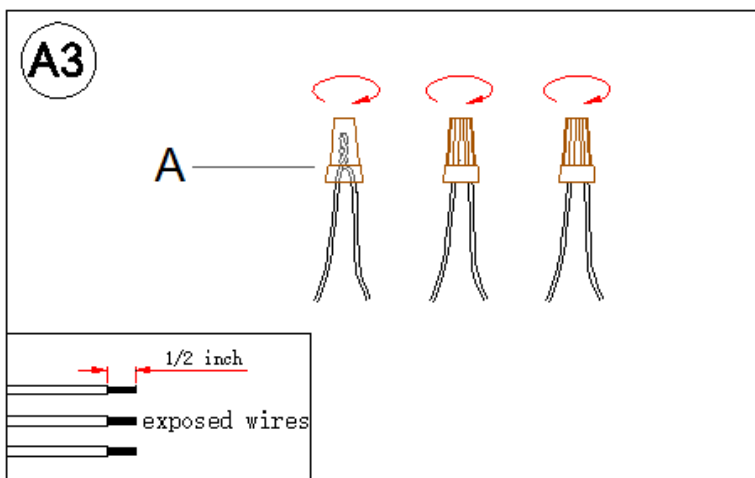
- SHUT OFF THE MAIN ELECTRICAL SUPPLY FROM THE MAIN FUSE BOX/CIRCUIT BREAKER.
- Carefully unpack all fixture parts and hardware and lay them on a clear workspace.



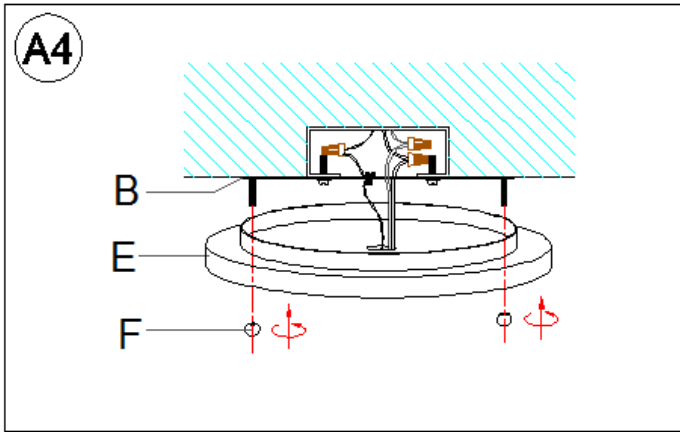
Separate the Mounting Plate(B) from the Canopy(E)by removing the 2 Canopy Nuts(F).



1. Insert the J-Box wires through the center opening of the Mounting Plate(B).
2. Attach the Mounting Plate(B) to the outlet box using the 2 Mounting Screws(D)tighten each screw clockwise until the Mounting Plate(B) is firmly secured to the J-Box.

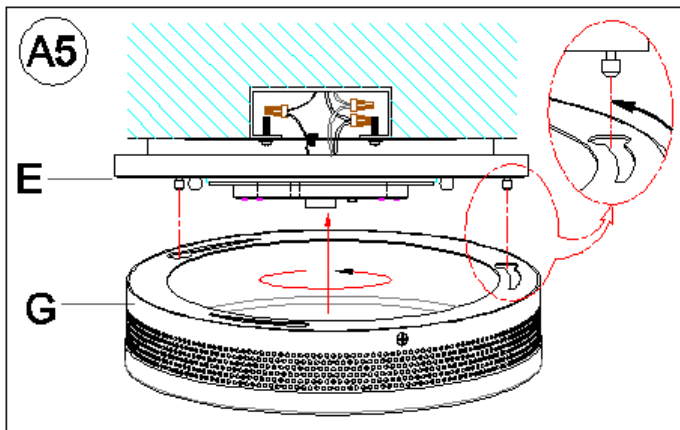


Please read the section “To Make the Wire Connections” Below.



Position the Canopy(E) over the Mounting Plate(B), making sure the 2 Threaded Rods extend through the 2 holes on the Canopy(E).

Secure the Canopy(E) by turning the Canopy Nuts(F) onto the exposed threaded portion of Threaded Rods clockwise until tight.

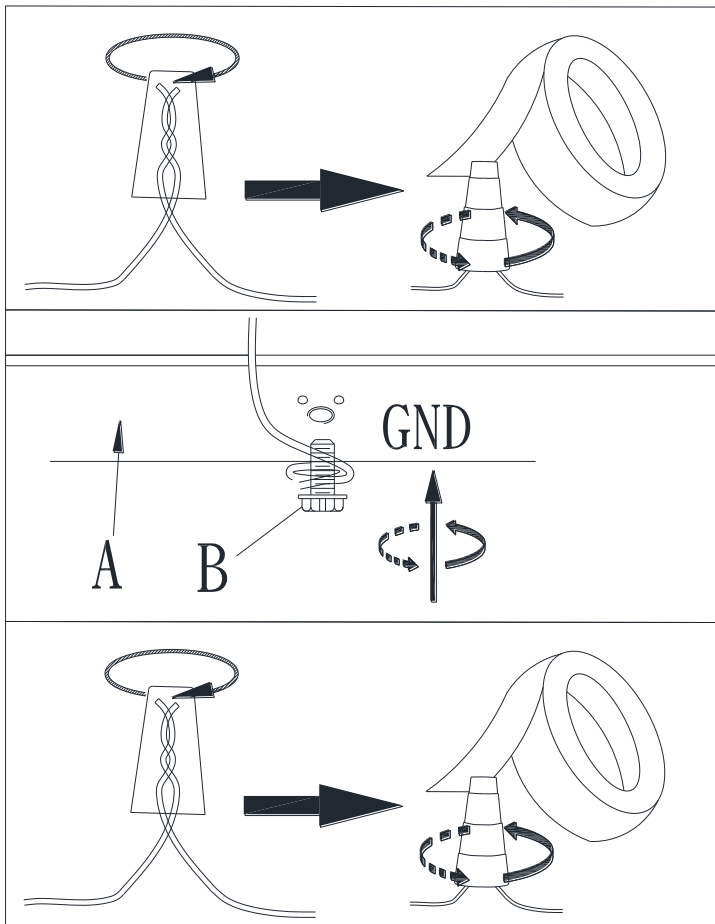


Position the lamp body (G) onto the Canopy (E) making sure the upper mounting gap of the metal plate(G) is engaged with the mounting nuts (red color) at the bottom of the Canopy (E).

Slowly turn the lamp body in a clockwise direction by hand until secured tightly with Canopy (E).

## To Make the Wire Connections:

1. Gently pull existing wire down from the ceiling junction box and allow wires to hang. The HOT or LIVE wire is usually black. The NEUTRAL wire is usually white. Check to see if there is a ground wire that is usually green or green with a yellow stripe or exposed copper metal wire. If needed, use a pair of wire strippers to remove about 1/2 inch of insulation from each wire.
2. Carefully inspect the fixtures wires. The NEUTRAL FIXTURE WIRE is usually white. The HOT FIXTURE WIRE is black and the green with yellow is the GROUND WIRE. If you have any doubt and cannot identify the power-supply wires with confidence, then we recommend that you ask an electrician and that you not continue with the installation.
3. With the help of another person to hold the weight of the fixture, attach the fixture wires to the junction box wires as shown in the illustrations.



Connect the GROUND FIXTURE WIRE to the GROUND J-BOX WIRE using the Plastic Wire Nut Connector (T) and wrap the connection with electrical tape. Be sure that no wire strands are exposed.

If the junction box DOES NOT have a GROUND WIRE, wrap the fixture's bare ground wire around the Green Ground Screw (B) and insert the screw into the Mounting Plate (A), marked as "GND", and tighten screw to secure the wire.

Connect the NEUTRAL FIXTURE WIRE to the NEUTRAL J-BOX WIRE first and then connect the HOT FIXTURE WIRE to the HOT J-BOX WIRE using the Plastic Wire Nut Connectors (T). Wrap these connections with electrical tape. Be sure that no wire strands are exposed.

**NOTE:**

**IT IS IMPERATIVE THAT THE JUNCTION BOX IN YOUR HOME BE PROPERLY GROUNDED!**

**DO NOT REVERSE THE HOT AND NEUTRAL CONNECTIONS OR SAFETY WILL BE COMPROMISED.**

4. Check the wiring connections and if all looks good, gently tuck the wire connections neatly into the ceiling junction box.

This device complies with Part 15 of the FCC Rules. Operation is subject to the following two conditions:

- (1) This device may not cause harmful interference, and
- (2) This device must accept any interference received, including interference that may cause undesired operation."

"NOTE: This equipment has been tested and found to comply with the limits for Class B digital device, pursuant to part 15 of the FCC Rules. These limits are designed to provide reasonable protection against harmful interference in a residential installation. This equipment generates, uses and can radiate radio frequency energy and, if not installed and used in accordance with the instructions, may cause harmful interference to radio or television reception, which can be determined by turning the equipment off and on, the user is encouraged to try to correct the interference by one or more of the following measures:

- Reorient or relocate the receiving antenna.
- Increase the separation between the equipment and the receiver.
- Connect the equipment into an outlet on a circuit different from that to which the receiver is connected.
- Consult the dealer or an experienced radio/TV technician for help.

**Care instructions:**

- Wipe clean with a soft, dry cloth or static duster.
- Always avoid the use of harsh chemicals or abrasive cleaners as they may cause damage to the fixture's finish.

**Thank you for your purchase**

2550 N.W. Nicolai Street, Portland Oregon 97210 Customer Service: 888 401-1900 [rejuvenation.com](http://rejuvenation.com)