

Lombard Wall Fixture

Sheet 1 of 2

skill level

● handy person

installation instructions

This fixture is suitable for wet locations more than 4 ft above ground level.

- (Fig.1) Mount the crossbar to the electrical box using electrical box screws.
- (Fig.2) Adjust crossbar such that canopy mounting screw holes are level. Ensure there is clearance beyond the mounting surface for the canopy mounting screws to protrude through the backside of the crossbar at least 1/2". Depending on electrical box shape, the canopy mounting screws may or may not protrude into the box.
- (Fig.2) A paper template (Z4673) is provided to assist in marking hole drilling locations for mounting the Cage mounting bracket. Drill holes for installing the cage mounting bracket such that it will be centered directly above the crossbar. Once installed, the bottom edge of the mounting bracket will be 3-5/8" above the canopy mounting holes in the crossbar.
- Attach cage mounting bracket to wall using supplied mounting screws or other appropriate hardware. At minimum use two (2) screws: One each in top and bottom halves of bracket, and one each in left and right halves of bracket.
- (Fig.3) Holding the fixture close to the electrical box, connect the fixture wires to the house wires. Make connections as appropriate for your house wiring.
See reverse side of instructions for important wiring information
Mount fixture to crossbar using canopy screws. On-site wiring splice connections should be tucked into electrical box.

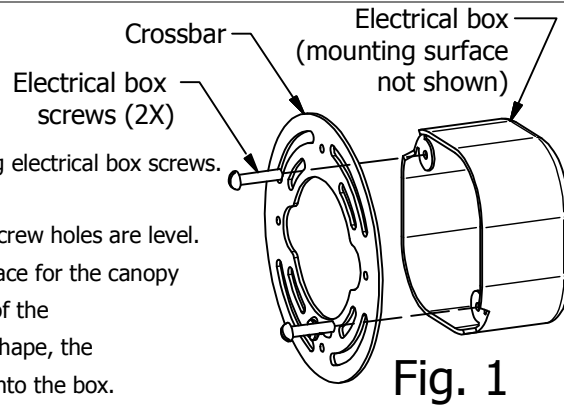


Fig. 1

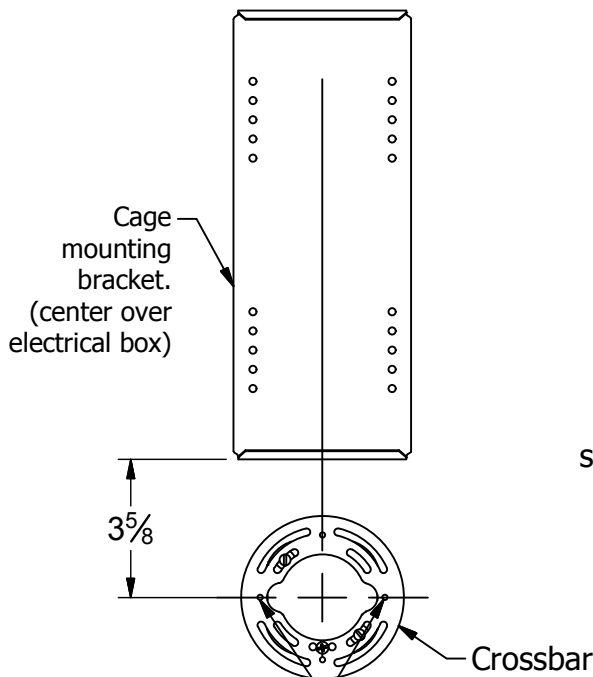
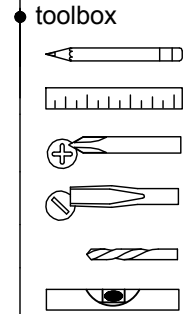


Fig. 2

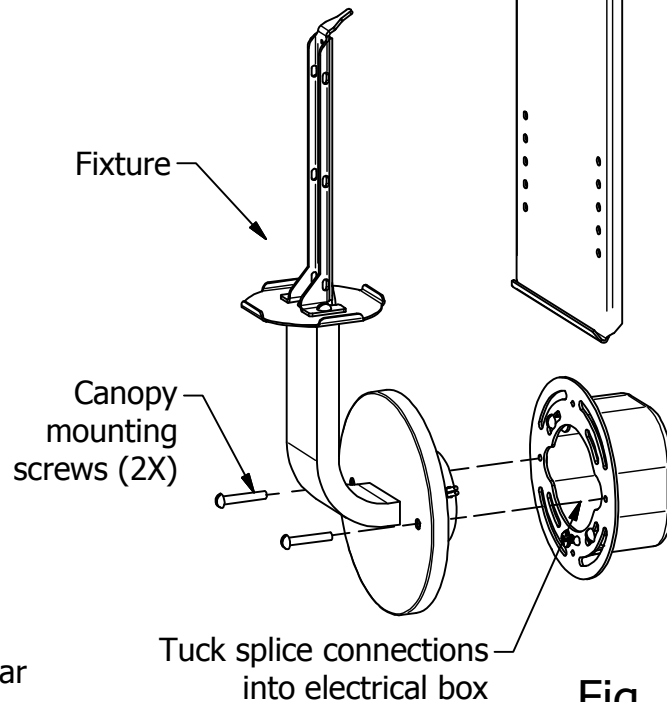


Fig. 3

Canopy mounting screw holes. (keep level, 1/2" clearance behind crossbar)

REJUVENATION

Lombard Wall Fixture

installation instructions

- (Fig.4) Slide bobeche onto bottom end of tube shade. The bottom is the end without the hole through the side.
- (Fig.5) Lower tube shade and bobeche together over the vertical mounting channel. At top end of vertical mounting channel is a hanger tab. Insert hanger tab into side hole at top of tube shade.

NOTE: The tube shade is created by a hand-made process that results in slight variations in glass thickness from one part to the next. Use the small rubber washers provided to adjust resting position of tube shade on hanger tab. Add or remove washers as required for shade to be vertical.

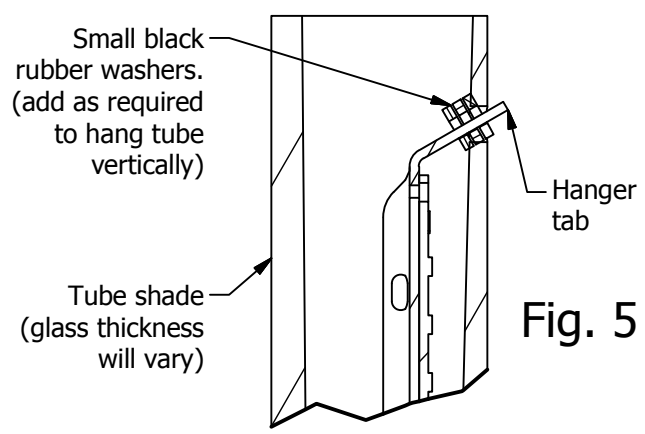
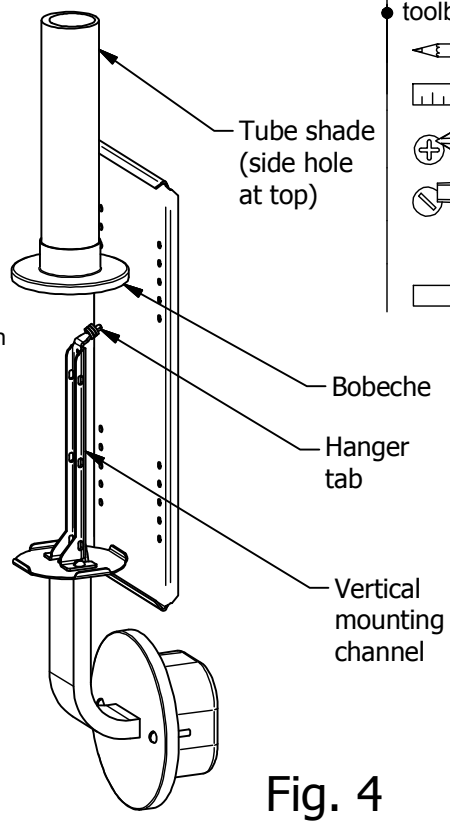
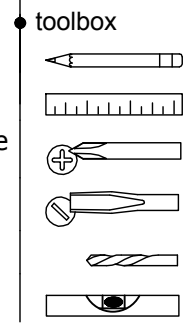


Fig. 5

Fig. 4

- (Fig.6) Install back panel by sliding it sideways into cage mounting bracket.
- Install cage by hooking top edge of cage over top end of cage mounting bracket. Loosen retaining screws on bottom of cage to allow cage to rest flat against mounting surface. Re-tighten retaining screws to secure cage in place.

10. For wet locations, apply bead of sealant around canopy where it contacts the mounting surface. Take care not to seal closed the weep hole on the canopy bottom edge.

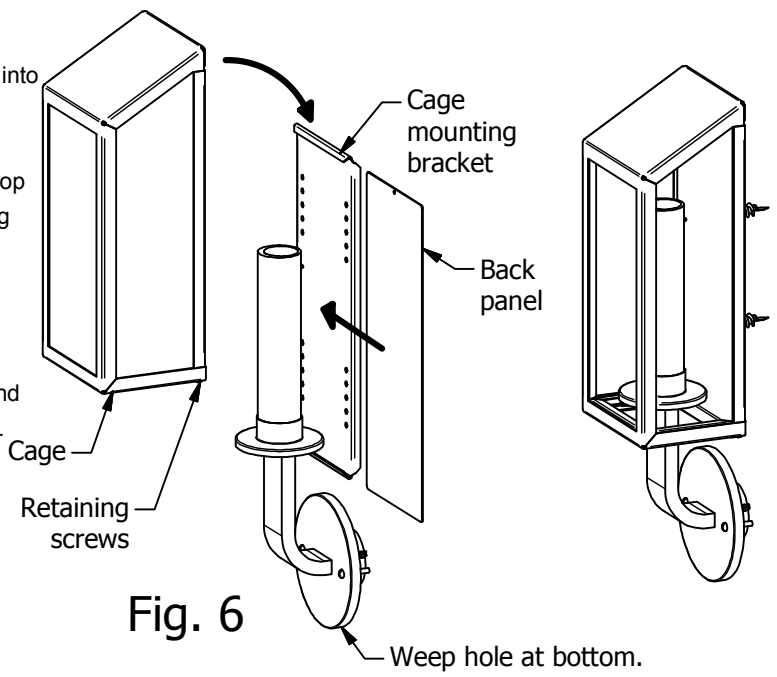


Fig. 6

Complete !

REJUVENATION