

Everett Wall Fixture

Sheet 1 of 1

skill level

• handy person

installation instructions

This fixture is suitable for wet locations.

1. Mount the crossbar to the electrical box using screws supplied with the box.
2. Adjust crossbar such that canopy mounting screw holes are level.
Ensure there is clearance beyond the mounting surface for the canopy mounting screws to protrude through the backside of the crossbar at least 1/2". Depending on electrical box shape, the canopy mounting screws may or may not protrude into the box.
3. Holding the fixture close to the electrical box, connect the fixture wires to the house wires.
Make connections as appropriate for your house wiring.
Mount fixture to crossbar using canopy screws. Be sure not to over tighten as over tightening will damage canopy.
For wet location fixtures, place the small rubber washers between the screw head and fixture. Wire nut connections should be tucked into electrical box.
4. If used with dimmer we recommend a good quality Triac dimmer or an Electric Low Voltage (ELV) dimmer
5. For any issues please contact customer service. Phone number can be found below.

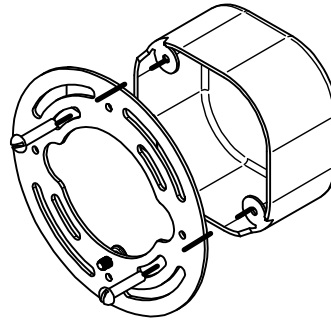
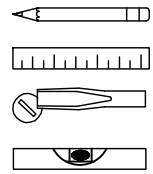


Figure 1

• toolbox



LED SPECIFICATIONS	VALUE
Power Consumption	15 WATTS
LUMENS	990
DIMMABLE	YES
CRI	90
ADA	YES
REPLACEMENT PART NUMBER	A1384

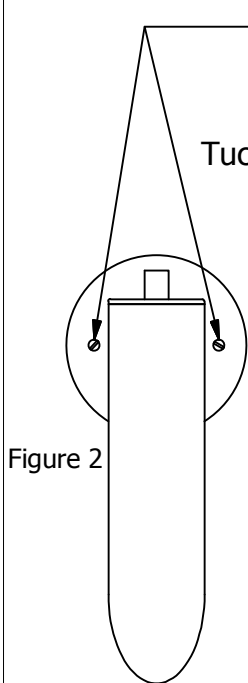


Figure 2

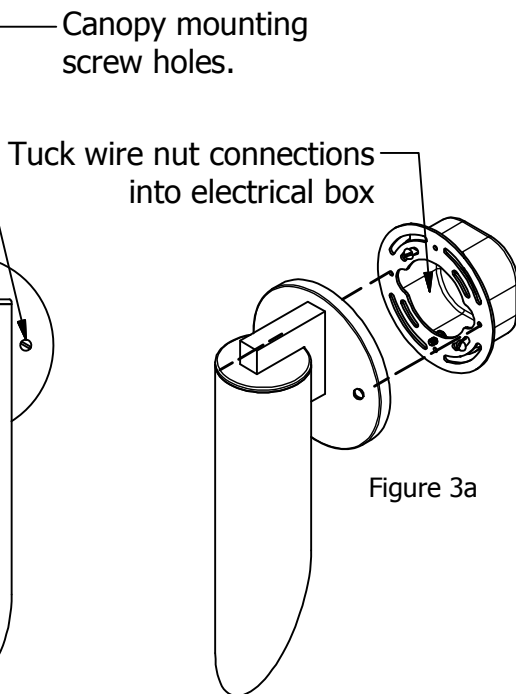


Figure 3a

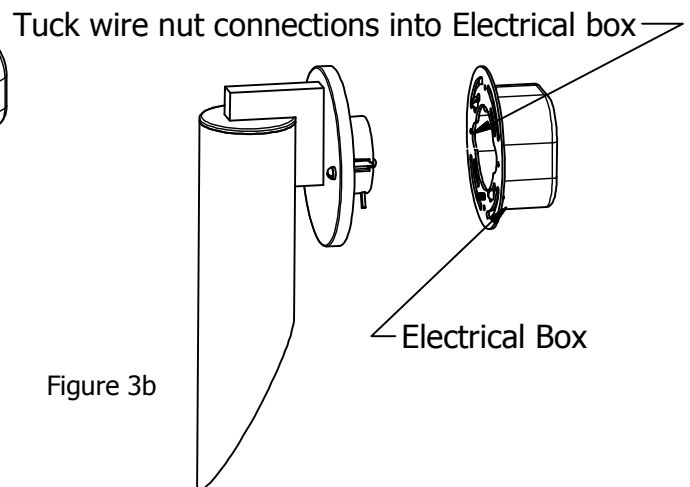


Figure 3b

NOTE: To maintain its UL Wet Location rating, this fixture **MUST** be installed in the tube facing down (shown) orientation and **MUST** be caulked with suitable RTV or silicone caulking around canopy where it contacts the wall

REJUVENATION