

REJUVENATION

Carson Semi Flush Small 12in Assembly and Installation Instructions

CAUTION:

BEFORE INSTALLING FIXTURE, MAKE SURE THE POWER TO THE CIRCUIT IS TURNED OFF AT THE MAIN FUSE BOX / CIRCUIT BREAKER UTILITY BOX.

IMPORTANT SAFETY INSTRUCTIONS:

- These instructions are provided for your safety. It is very important that they are read carefully and completely before beginning the assembly and installation of this lighting fixture
- We strongly recommend that a professional electrician install all direct wire fixtures.
- THIS PRODUCT MUST BE INSTALLED IN ACCORDANCE WITH THE APPLICABLE INSTALLATION CODES BY A PERSON FAMILIAR WITH THE CONSTRUCTION AND OPERATION OF THE PRODUCT AND THE HAZARDS INVOLVED.
- The lighting fixture is meant for either indoor or outdoor use. It must be connected only to 3-wire, single-phase electrical supply systems (provided with Ground wire or equivalent protection system).
- For your safety, it is strongly recommended that two people install the lighting fixture.
- This fixture has been rated for up to one (1) **100-watt maximum TYPE A standard incandescent light bulb** (not included) or one (1) **23-watt compact fluorescent light bulb** (not included) or (1) 9-watt led bulb (not included). To avoid the risk of fire, do not exceed the recommended lamp wattage.
- The lighting fixture is SUITABLE FOR EITHER DRY OR DAMP LOCATIONS.
- **Please save these instructions.**

WARNING:

- **To reduce the risk of fire, electrical shock or personal injury, always turn off light fixture and allow it to cool prior to replacing the light bulb.**
- **Do not touch bulb when fixture is turned on; do not look directly at a lit bulb.**
- **Keep flammable materials away from lit bulb.**

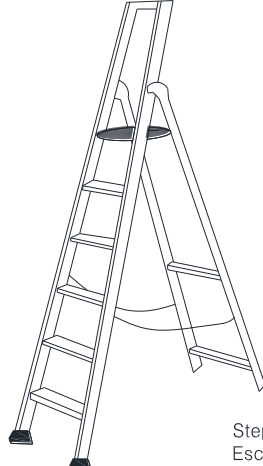
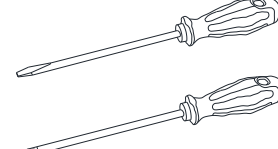
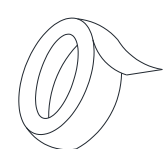
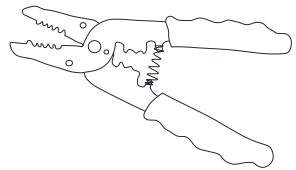
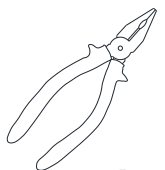


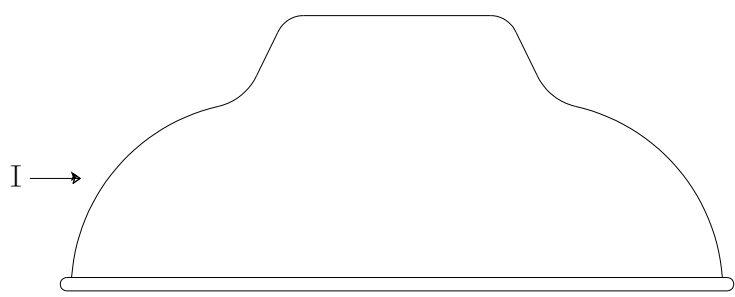
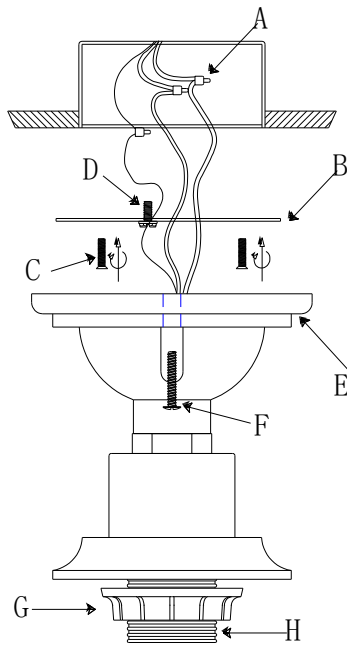
WARNING This product can expose you to chemicals including lead, which are known to the State of California to cause cancer and birth defects or other reproductive harm. For more information go to www.P65warnings.ca.gov

PRE-ASSEMBLY:

- **Remove all parts and hardware from box along with any plastic protective packaging.**
- **Do not discard any contents until after assembly is complete to avoid accidentally discarding small parts or hardware.**
- **For your safety and convenience, assembly by two people is recommended.**

Tools Required: (not included):

 <p>Step Ladder Escabeau Escalera</p>	 <p>Phillips Head, Flat Blade Screwdrivers Tournevis à tête Phillips et à tête plate Destornilladores Cabeza Phillips y Destornilladores Cabeza Plana</p>	 <p>Electrical tape Ruban isolant Cinta Eléctrica.</p>
	 <p>Wire Cutter/Stripper Pince coupe-fil/ à dénudé Cortador de Cable</p>	 <p>Plier Pince Alicates</p>

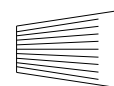



Parts Included:

- (B) Mounting Plate (1)
- (D) Green Ground Screw (1)
- (E) Canopy (1)
- (F) Long Screws (2)
- (G) Socket Ring (1)
- (H) Socket (1)
- (I) Lamp Shade (1) *sold separately*

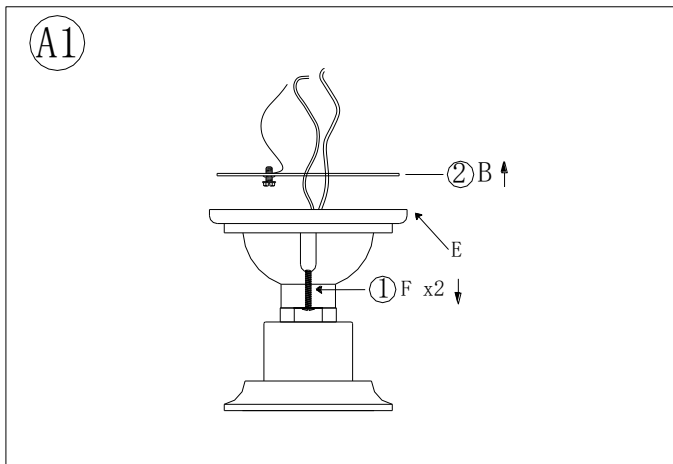
Hardware Enclosed:

- (A) Plastic Wire Nut Connectors (3)
- (C) Mounting Screws (2)

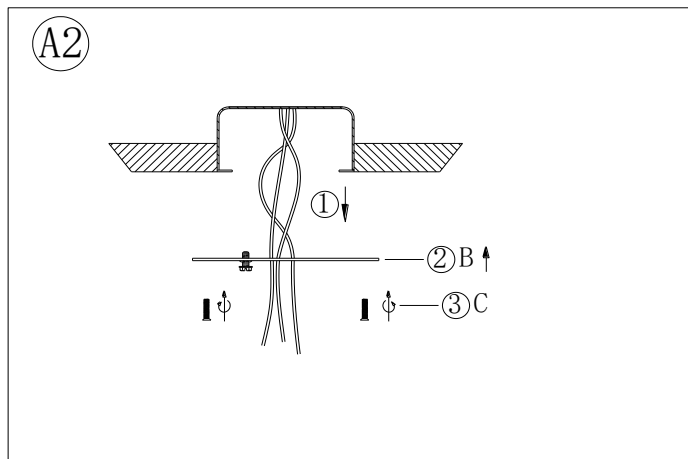
<p>A</p>  <p>3x</p>
<p>C</p>  <p>2x</p>

ASSEMBLY & INSTALLATION INSTRUCTIONS:

- **SHUT OFF THE MAIN ELECTRICAL SUPPLY FROM THE MAIN FUSE BOX/CIRCUIT BREAKER.**
- Carefully unpack all fixture parts and hardware and lay them on a clear workspace.

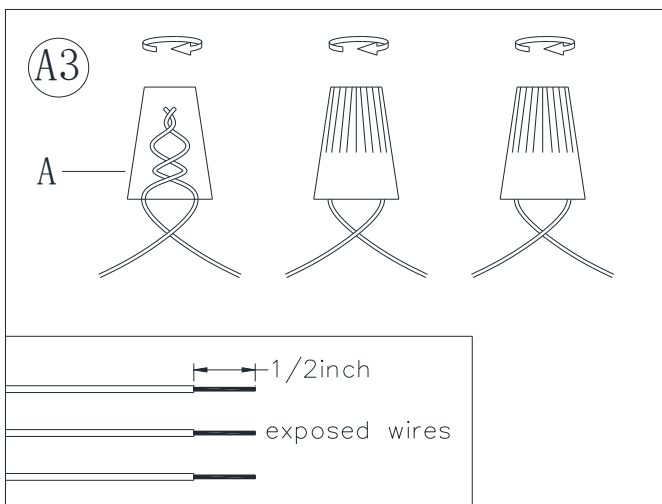


Separate Mounting Plate (B) from the Canopy (E) by removing the 2 Long Screws (F), turning each counter-clockwise with a screwdriver



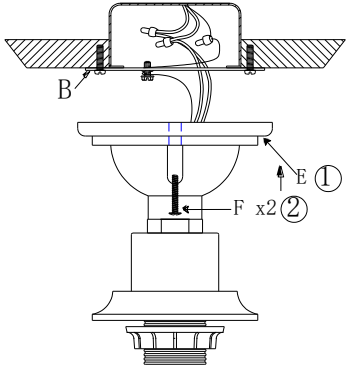
1. Insert the J-box wires through the center opening of Mounting Plate (B)
2. Attach the Mounting Plate (B) onto the wall J-box, making sure the 2 threaded holes on the Mounting Plate (B) for the Long Screws (F) assemblies are horizontal orientation
3. Secure the Mounting Plate (B) in place by turning the Mounting Screws (C) clockwise until tight with a screwdriver.

NOTE: Make sure the mounting surface should be clean, dry, flat, and a 1/4 inch larger than the Canopy (E) on all sides.



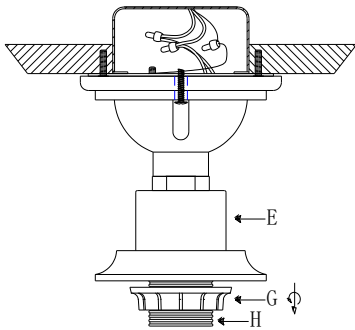
Please read the section "To Make the Wire Connections" Below.

A4



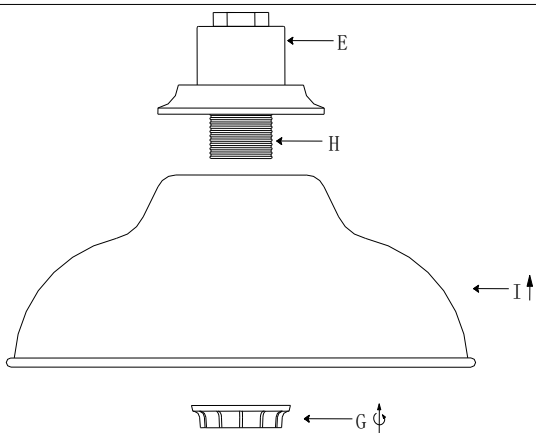
1. Position the Canopy (E) over the Mounting Plate (B)
2. While holding the Canopy (E) firmly against the wall, insert the 2 Long Screws (F) through the 2 holes on the Canopy (E) until each screw is aligned and engaged with each threaded hole on the Mounting Plate (B). Tighten each screw to secure the Canopy (E) on wall using a screwdriver.

A5



Unscrew the Socket Ring (G) from the Socket (H) by turning counter-clockwise by hand and set it aside.

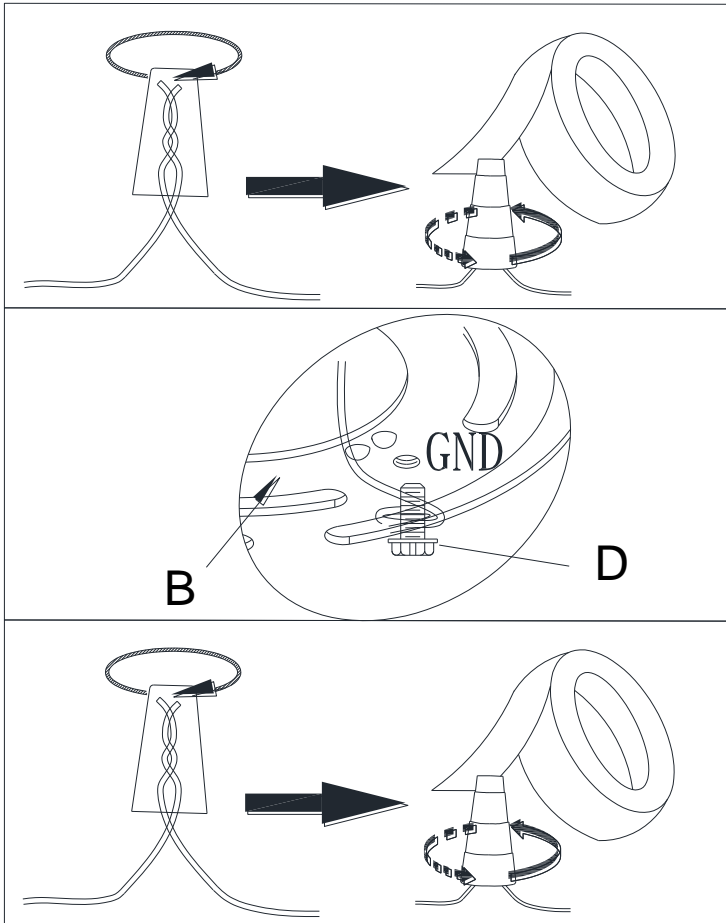
A6



1. Attach the Lamp Shade (I) *sold separately* onto the Socket (H) and secure it in place by turning the Socket Ring (G) onto the Socket (H) in a clockwise direction by hand until tight.
2. Insert the specified light bulb into the Socket (H). DO NOT EXCEED THE SPECIFIED WATTAGE.

TO MAKE THE WIRE CONNECTIONS:

- Gently pull the wiring from the wall junction box and allow wires to hang. The HOT or LIVE wire is usually black. The NEUTRAL wire is usually white. Check to see if there is a ground wire that is usually green or green with a yellow stripe or exposed copper metal wire. If needed, use a pair of wire strippers to remove about 1/2 inch of insulation from each wire.
- Carefully inspect the fixture wires. The NEUTRAL FIXTURE WIRE is White. The HOT FIXTURE WIRE is Black, and the GROUND WIRE is green with a yellow stripe. If you have any doubt and cannot identify the power-supply wires with confidence, then we recommend that you ask an electrician and that you not continue with the installation.
- With the help of another person to hold the weight of the fixture, attach the fixture wires to the junction box wires as shown in the illustrations.



Connect the GROUND FIXTURE WIRE to the GROUND J-BOX WIRE using the Plastic Wire Nut Connector (A) and wrap the connection with electrical tape. Be sure that no wire strands are exposed.

If the junction box DOES NOT have a GROUND WIRE, wrap the fixture's bare ground wire around the Green Ground Screw (D) and insert the screw into the Mounting Plate (B), marked as "GND", and tighten screw to secure the wire.

Connect the NEUTRAL FIXTURE WIRE to the NEUTRAL J-BOX WIRE first and then connect the HOT FIXTURE WIRE to the HOT J-BOX WIRE using the Plastic Wire Nut Connectors (A). Wrap these connections with electrical tape. Be sure that no wire strands are exposed.

**NOTE: IT IS IMPERATIVE THAT THE JUNCTION BOX IN YOUR HOME BE PROPERLY GROUNDED!
DO NOT REVERSE THE HOT AND NEUTRAL CONNECTIONS OR SAFETY WILL BE COMPROMISED.**

- Check the wiring connections and if all looks good, gently tuck the wire connections neatly into the junction box.

CARE INSTRUCTIONS:

- Wipe clean with a soft, dry cloth or static duster.
- Always avoid the use of harsh chemicals or abrasive cleaners as they may cause damage to the fixture's finish.

Thank you for your purchase

2550 N.W. Nicolai Street, Portland Oregon 97210 Customer Service: 888 401-1900 rejuvenation.com