

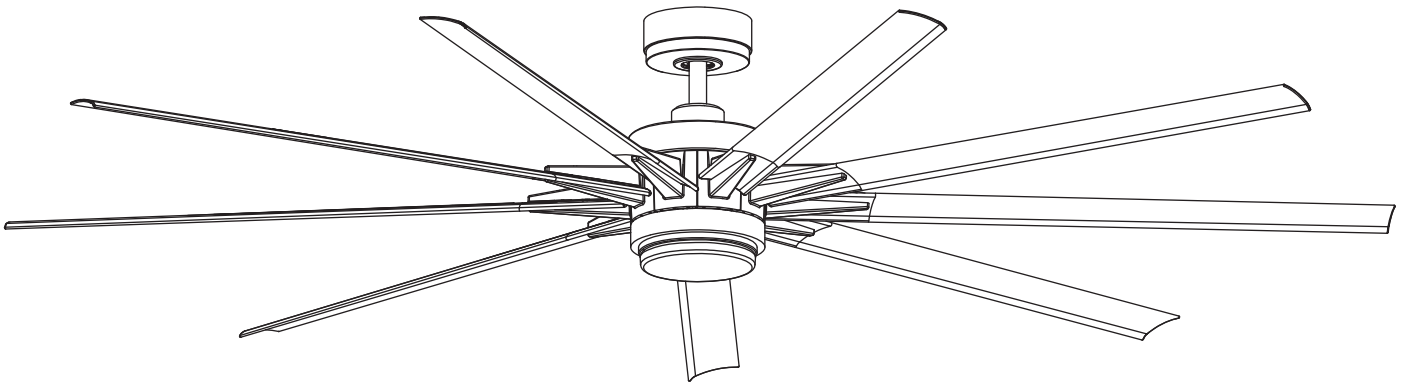


FANIMATION®  
SHOWROOM COLLECTION

# ODYN™ 84 CEILING FAN

MODEL #FPD8159\*\*

Español p. 23



ATTACH YOUR RECEIPT HERE AND REGISTER YOUR FAN AT [FANIMATION.COM](http://FANIMATION.COM)  
READ AND SAVE THESE INSTRUCTIONS



Serial Number \_\_\_\_\_ Purchase Date \_\_\_\_\_ Net Weight 34.18 lbs (15.50 kg)



**Questions, problems, missing parts?** Before returning to your retailer, call our customer service department at 1-888-567-2055, 8 a.m.-5 p.m., EST, Monday-Friday.

## Important Safety Instructions

**WARNING:** To avoid fire, shock and serious personal injury, follow these instructions.

1. Read your owner's manual and safety information before installing your new fan. Review the accompanying assembly diagrams.
2. Before servicing or cleaning unit, switch power off at service panel and lock service panel disconnecting means to prevent power from being switched on accidentally. When the service disconnecting means cannot be locked, securely fasten a warning device, such as a tag, to the service panel.
3. Be careful of the fan and blades when cleaning, painting, or working near the fan. Always turn off the power to the ceiling fan before servicing.
4. Do not insert anything into the fan blades while the fan is operating.
5. The appliance is not intended for use by young children or infirm persons without supervision. Young children should be supervised to ensure that they do not play with the appliance.

## Additional Safety Instructions

1. To avoid possible shock, be sure electricity is turned off at the fuse box before wiring, and do not operate fan without blades.
2. All wiring and installation procedures must satisfy National Electrical Codes (ANSI/ NFPA 70) and Local Codes. The ceiling fan must be grounded as a precaution against possible electrical shock. Electrical installation should be made or approved by a licensed electrician.
3. The fan base must be securely mounted and capable of reliably supporting at least 35 lbs. (fan and accessories not to exceed 35 lbs. or 15.88 kgs.). See page 5 of owner's manual for support requirements. Consult a qualified electrician if in doubt.
4. The fan must be mounted with the fan blades at least 7 feet from the floor to prevent accidental contact with the fan blades.
5. Follow the recommended instructions for the proper method of wiring your ceiling fan. If you do not have adequate electrical knowledge or experience, have your fan installed by licensed electrician.
6. Do not suitable for use with solid-state speed controls.
7. For supply connections, if the conductor of a fan is identified as a grounded conductor, then it should be connected to a grounded conductor power supply. If the conductor of a fan is identified as an ungrounded conductor, then it should be connected to an ungrounded conductor power supply. If the conductor of a fan is identified for equipment grounding, then it should be connected to an equipment-grounding conductor.
8. This fan is to be used in wet location.

**WARNING:** TO REDUCE THE RISK OF ELECTRIC SHOCK, THIS FAN MUST BE INSTALLED WITH A GENERAL USE, ISOLATING WALL CONTROL/SWITCH.

**WARNING:** This product is designed to use only those parts supplied with this product and/or accessories designated specifically for use with this product. Using parts and/or accessories not designated for use with this product could result in personal injury or property damage.

**WARNING:** To reduce the risk of personal injury, do not bend the blade bracket (flange or blade holder) when installing the brackets, balancing the blades, or cleaning the fan. Do not insert foreign objects in between rotating fan blades.

**WARNING:** Mount to an outlet box marked acceptable for fan support.

**WARNING:** Do not operate this fan with a variable (Rheostat) wall controller or dimmer switch. Doing so could result in damage to the ceiling fan's remote control unit.

This device complies with Part 15 of the FCC Rules. Operation is subject to the following two conditions:

(1) This device may not cause harmful interference, and (2) this device must accept any interference received, including interference that may cause undesired operation. If the intentional radiator can be classified as a Class B digital device or a PC peripheral, then shall include the following or equivalent:

**Note:** This equipment has been tested and found to comply with the limits for Class B digital device, pursuant to part 15 of the FCC Rules. These limits are designed to provide reasonable protection against harmful interference in a residential installation.

This equipment generates, uses and can radiate radio frequency energy and, if not installed and used in accordance with the instructions, may cause harmful interference to radio or television reception, which can be determined by turning the equipment off and on, the user is encouraged to try to correct the interference by one or more of the following measures:

- Reorient or relocate the receiving antenna.
- Increase the separation between the equipment and the receiver.
- Connect the equipment into an outlet on a circuit different from that to which the receiver is connected.

Consult the dealer or an experienced radio/TV technician for help.

**Note:** For a Class A digital device, statements of 15. 105(a) must be included when appropriate for the device in question.

## LIMITED LIFETIME WARRANTY

### Extends to the original purchaser of a Fanimation Fan

1. **LIMITED LIFETIME MOTOR WARRANTY** - If any part of your fan motor fails, due to a defect in materials or workmanship during the lifetime of the original purchaser, Fanimation will provide the replacement part free of charge, when the defective fan is returned to our national service center. Proof of purchase is required. Customer shall be responsible for all costs incurred in the removal or reinstallation and shipping of the product for repairs or replacement.
2. **ONE YEAR MOTOR LABOR WARRANTY** - If your fan motor fails at any time within one year from the original purchase, due to defects in materials or workmanship, labor to repair the motor will be provided free of charge at our national service center. Purchaser will be responsible for labor charges after this one-year period. Customer shall be responsible for all costs incurred in the removal or reinstallation and shipping of the product for repairs or replacement.
3. If any other part of your fan fails at any time within one year after original purchase, due to a defect in materials or workmanship, we will repair, or replace, at our option, the defective part free of charge for parts and labor performed at our national service center.
4. If any other part of your light kit fails at any time within five years after original purchase, due to a defect in materials or workmanship, we will repair, or replace, at our option, the defective part free of charge for parts and labor performed at our national service center.
5. Because of varying climate conditions, this warranty does not cover changes in the finish, including rusting, pitting, corroding, tarnishing, or peeling.
6. This warranty is void and does not apply to damage from improper installation, neglect, accident, misuse, exposure to extremes of heat or humidity, or as a result of any modification to the original product.
7. All costs of removal and reinstallation of the fan are the sole responsibility of the owner of the fan and not the store that sold the fan or Fanimation.

**LIMITED LIFETIME WARRANTY**  
**Extends to the original purchaser of a Fanimation Fan**

8. Fanimation reserves the right to modify or discontinue any product at any time and may substitute any part under this warranty.
9. Under no circumstances may a fan be returned without prior authorization from Fanimation. The receipt of purchase must accompany authorized returns and must be sent freight prepaid to Fanimation. The fan to be returned must be properly packed to avoid damage in transit; Fanimation will not be responsible for any damage resulting from improper packaging.
10. It is understood that any repair or replacement is the exclusive remedy available from Fanimation. There is no other expressed or implied warranty. Fanimation hereby disclaims any and all implied warranties, including, but not limited to those of merchantability and fitness for a particular purpose to the extent permitted by law. Some states do not allow limitations on implied warranties. Fanimation will not be liable for incidental, consequential, or special damages arising out of or in conjunction with product use or performance, except as may otherwise be accorded by law. This warranty gives you special legal rights and you may also have other rights that vary from state to state.
11. A certain amount of wobble is normal and should not be considered a problem or a defect.

**Table of Contents**

Unpacking Instructions .....	.4	How to Assemble Your Light Kit Assembly or Cap. ....	12
Energy Efficient Use of Ceiling Fans .....	.5	How to Operate Your Ceiling Fan .....	13
Electrical and Structural Requirements .....	.5	How to Set Up the fanSync App (optional) .....	16
How to Assemble Your Ceiling Fan .....	.7	How to Install Your Remote Control .....	17
How to Hang Your Ceiling Fan .....	.9	Maintenance .....	17
How to Wire Your Ceiling Fan .....	10	How to Clean Your Ceiling Fan Blades.....	17
How to Install Your Canopy Housing .....	11	Trouble Shooting .....	18
How to Assemble the Ceiling Fan Blades .....	11	Parts List .....	19
		Exploded-View Illustration .....	20

# This manual is designed to make it as easy as possible for you to assemble, install, operate and maintain your ceiling fan

## Tools Needed for Assembly

- One Phillips head screwdriver
- One wire stripper
- One stepladder
- One 1/4" blade screwdriver
- Four wire connectors (supplied)

## Materials

Wiring outlet box and box connectors must be of type required by the local code. The minimum wire would be a 3-conductor (2-wire with ground) of the following size:

Installed Wire Length	Wire Size A.W.G.
Up to 50 ft.	14
50-100 ft.	12

**NOTE:** Place the parts from the loose parts bags in a small container to keep them from being lost. If any parts are missing contact your local retailer.

**⚠ WARNING**

Before assembling your ceiling fan, refer to section on proper method of wiring your fan (page 10). If you feel you do not have enough wiring knowledge or experience, have your fan installed by a licensed electrician.

## Unpacking Instructions

For your convenience, check-off boxes are provided next to each step. As each step is completed, place a check mark in the box. This will insure that all steps have been completed and will be helpful in finding your place should you be interrupted.

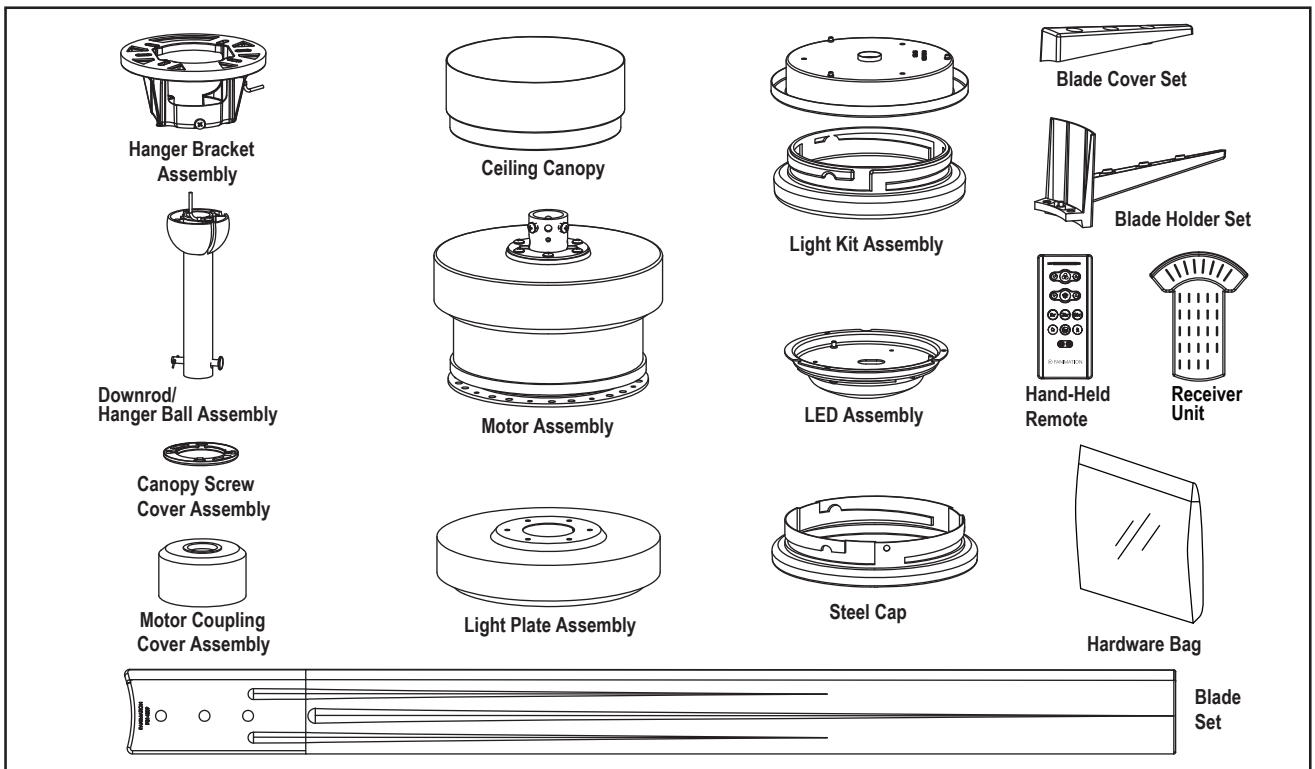
**⚠ WARNING**

Do not install or use fan if any part is damaged or missing. This product is designed to use only those parts supplied with this product and/or any accessories designated specifically for use with this product by Fanimation. Substitution of parts or accessories not designated for use with this product by Fanimation could result in personal injury or property damage.

1. Check to see that you have received the following parts:

**NOTE:** If you are uncertain of part description, refer to exploded view illustration.

- Motor Assembly
- Hanger Bracket Assembly
- Downrod/Hanger Ball Assembly
- Ceiling Canopy
- Canopy Screw Cover Assembly
- Motor Coupling Cover Assembly
- Blade Cover Set
- Blade Holder Set
- Blade Set
- Light Plate Assembly
- Light Kit Assembly
- LED Assembly
- Steel Cap
- Hand-Held Remote
- Receiver Unit
- Hardware bags:
  - Twenty-eight 3/16"-24 (blade to blade holder) Pan Head Serrated Screw
  - Nineteen 1/4"-20 (blade holder to motor) Pan Head Screw
  - Four Wire Connectors
  - Two #8-32 Junction box screws, stainless steel
  - Two Flat Washer, stainless steel
  - Balance Kit
  - Bag Assembly Safety Cable



---

## Energy Efficient Use of Ceiling Fans

Ceiling fan performance and energy savings rely heavily on the proper installation and use of the ceiling fan. Here are a few tips to ensure efficient product performance.

### Choosing the Appropriate Mounting Location

Ceiling fans should be installed, or mounted, in the middle of the room and at least 7 feet from floor to the blade and 18 inches from wall to the blade. If ceiling height allows, install the fan 8 - 9 feet from floor to the blade for optimal airflow. Consult your Fanimation Retailer for optional mounting accessories.

### Turn Off When Not in the Room

Ceiling fans cool people, not rooms. If the room is unoccupied, turn off the ceiling fan to save energy.

### Using the Ceiling Fan Year Round

**Summer Season:** Use the ceiling fan in the counter-clockwise direction. The airflow produced by the ceiling fan creates a wind-chill effect, making you "feel" cooler. Select a fan speed that provides a comfortable breeze, lower speeds consume less energy.

**Winter Season:** Reverse the motor and operate the ceiling fan at low speed in the clockwise direction. This produces a gentle updraft, which forces warm air near the ceiling down into the occupied space. Remember to adjust your thermostat when using your ceiling fan - additional energy and dollar savings could be realized with this simple step!

---

## Electrical and Structural Requirements

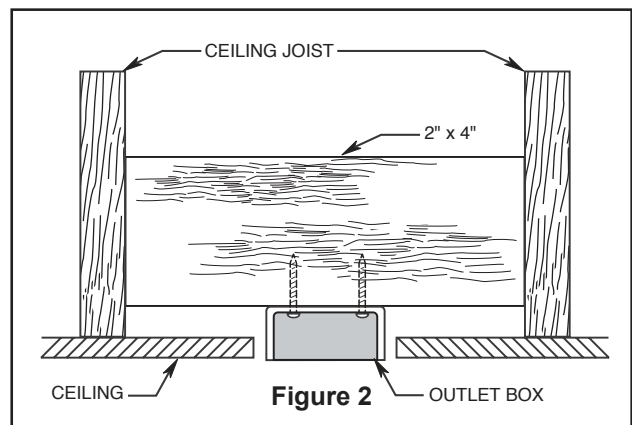
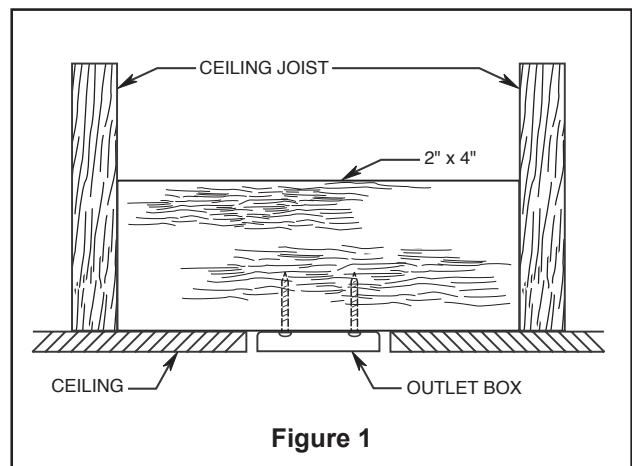
Your new ceiling fan will require a grounded electrical supply line of 120 volts AC, 60 HZ, 15 Amp Circuit. Electrical code requires use of a fan-rated outlet box to support the extra weight and motion associated with a ceiling fan. A fan-rated box will be labeled as such and typically supports up to a 70lb ceiling fan. Fan-Rated Outlet Boxes vary in ratings and design. Ensure the ratings of your ceiling fan outlet box meet the requirements for the ceiling fan being installed. Figure 1, Figure 2 and Figure 3 depicts different structural configurations that may be used for mounting the outlet box.

### Low profile usage diagram idea (Figure 1)

A 1/2-in.-deep pancake box is meant to be screwed to a joist or block. It's used if only one cable is coming into the box. It is also available in a saddle-mount configuration.

### Deeper profile usage diagram idea (Figure 2)

A 2-1/4-in.-deep box can be attached to blocking between joists and is roomy enough to handle more than one cable.



## Electrical and Structural Requirements (Continued)

### No blocking (Figure 3)

Paired with a deep box, this hanger is meant to span between two joists and takes the place of wooden blocking.

#### WARNING

To reduce the risk of fire, electrical shock, or personal injury, mount fan to outlet box marked acceptable for fan support of 15.88 kg (35 lbs) or less. Use screws supplied with outlet box. Most outlet boxes commonly used for support of light fixtures are not acceptable for fan support and may need to be replaced. Consult a qualified electrician if in doubt.

If your fan is to replace an existing light fixture, turn electricity off at the main fuse box at this time and remove the existing light fixture.

#### WARNING

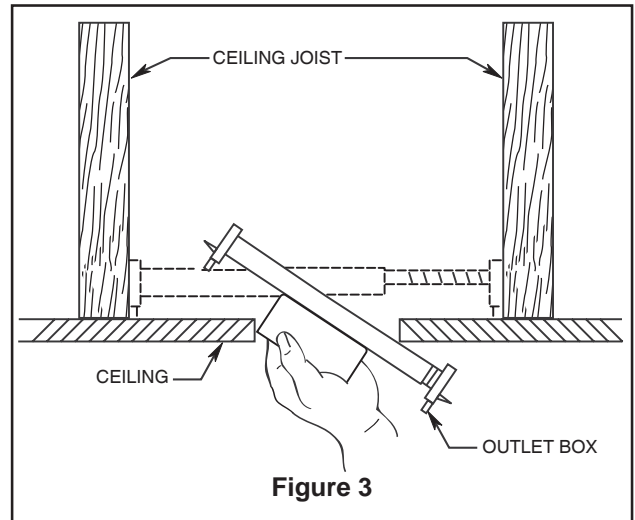
Turning off wall switch is not sufficient. To avoid possible electrical shock, be sure electricity is turned off at the main fuse box before wiring. All wiring must be in accordance with National and Local codes and the ceiling fan must be properly grounded as a precaution against possible electrical shock.

#### WARNING

To avoid fire or shock, follow all wiring instructions carefully. Any electrical work not described in these instructions should be done or approved by a licensed electrician.

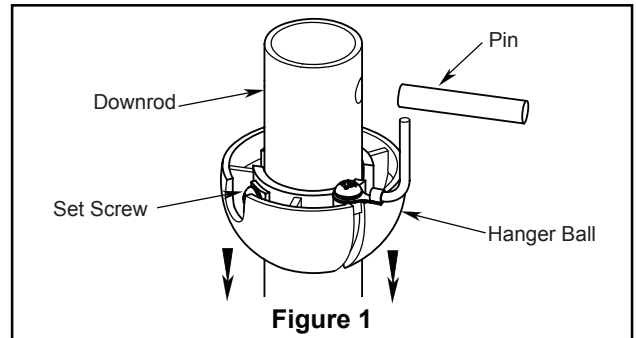
#### WARNING

Do not operate this fan with a variable (Rheostat) wall controller or dimmer switch. Doing so could result in damage to the ceiling fan's remote control unit.

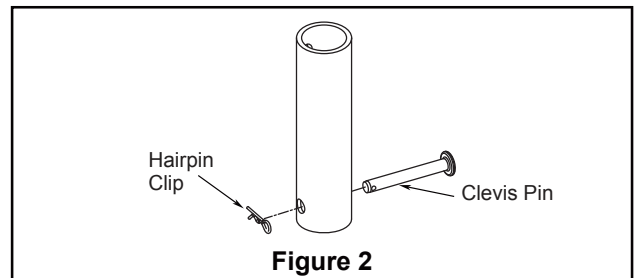


## How to Assemble Your Ceiling Fan

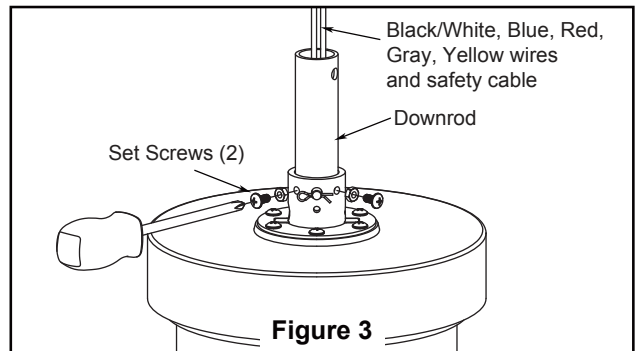
- 1. Remove the hanger ball portion from the downrod/hanger ball assembly by loosening the set screw in the hanger ball until the ball falls freely down the downrod. Remove the pin from the downrod, then remove the hanger ball. Retain the pin and hanger ball for reinstallation in Step 6. (Figure 1)



- 2. Remove the hairpin clip and clevis pin from the bottom of the downrod. Retain the pin and clip for reinstallation in Step 4. (Figure 2)



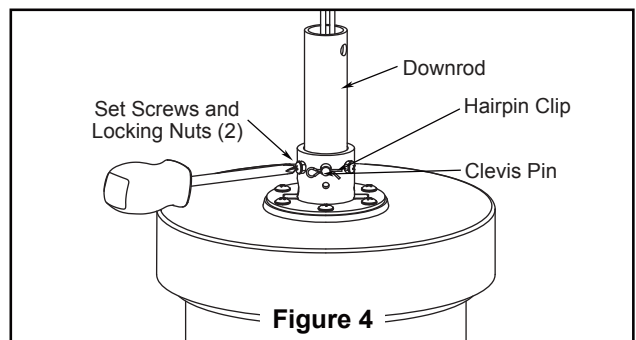
- 3. Loosen the two set screws in the downrod support of the motor assembly. Route the black/white, blue, red, gray, yellow wires and safety cable through the downrod. (Figure 3)



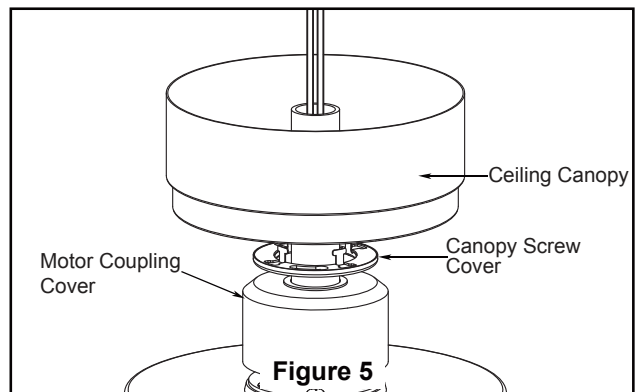
- 4. Slide downrod into the downrod support on top of the motor. Install the clevis pin by aligning the holes in the downrod support with holes in the downrod. Secure clevis pin with hairpin clip. Tighten the two set screws with nuts in the downrod support. (Figure 4)

### **⚠ WARNING**

It is critical that the clevis pin in the downrod support is properly installed and the set screws and nuts are securely tightened. Failure to do so could result in the fan falling.



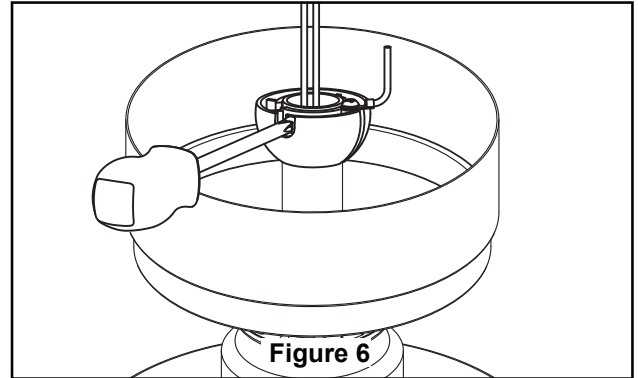
- 5. Route wires and cable through motor coupling cover, canopy screw cover and ceiling canopy. (Figure 5)



---

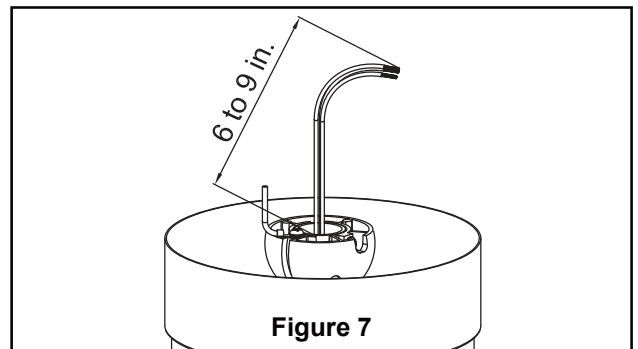
## How to Assemble Your Ceiling Fan (continued)

- 6.** Reinstall the hanger ball on the downrod as follows. Route the black/white, blue, red, gray, yellow wires and safety cable through the hanger ball. Position the pin through the two holes in the downrod and align the hanger ball so the pin is captured in the groove in the top of the hanger ball. Pull the hanger ball up tight against the pin. Securely tighten the set screw in the hanger ball. A loose set screw could create fan wobble. (Figure 6)



- 7.** Cut off excess lead wire approximately 6 to 9 inches above top of the downrod. Strip insulation off 1/2 inch from the end of each lead wire. (Figure 7)

**NOTE:** All set screws must be checked, and retightened where necessary, before installation.





# How to Hang Your Ceiling Fan

## **⚠ WARNING**

To avoid possible fire or shock, be sure electricity is turned off at the main fuse box before hanging. (Figure 1)

*NOTE: If you are not sure if the outlet box is grounded, contact a licensed electrician for advise, as it must be grounded for safe operation.*

## **⚠ WARNING**

The fan must be hung with at least 7' of clearance from floor to blades. (Figure 2)

1. Securely attach the hanger bracket to the outlet box using the outlet box screws and washers supplied with the fan. (Figure 3)
2. Drill a 1/4" pilot hole into the building structure to prevent splitting or cracking with installation of the lag bolt. Using the 3/8" x 2" lag bolt and flat washer, attach safety cable to ceiling joist or wood structural member. The lag bolt will pass through the flat washer, safety cable loop, and into the building structure. (Figure 3)  
*NOTE: Ceiling support cable cannot be secured to junction box only, it must be directly secured to ceiling joist or structural member using the 3/8" x 2" lag bolt and flat washer. (Figure 3)*
3. Make sure the electrical supply wires, including the hanger bracket grounding wire and safety cable are pulled through the downrod, between the hanger bracket and the junction box so that electrical connections can be made later.

## **⚠ WARNING**

The outlet box must be securely anchored. Hanger bracket must seat firmly against outlet box. If the outlet box is recessed, remove wall board until bracket contacts box. If bracket and/or outlet box are not securely attached, the fan could wobble or fall.

4. Carefully lift the fan and seat the downrod/hanger ball assembly on the hanger bracket that was just attached to the outlet box. Be sure the groove in the ball is lined up with tab on the hanger bracket (Figure 4)

## **⚠ WARNING**

Failure to seat tab in groove could cause damage to electrical wires and possible shock or fire hazard.

## **⚠ WARNING**

To avoid possible shock, do not pinch wires between the hanger ball assembly and the hanger bracket.

5. Attach the safety cable to ceiling support cable. Slide cable clamp and washer onto safety cable (from fan). Place the end of cable through the loop of ceiling support cable. Pull as much cable through loop as possible. Feed end of cable into clamp hole and firmly tighten screw (Figure 4).

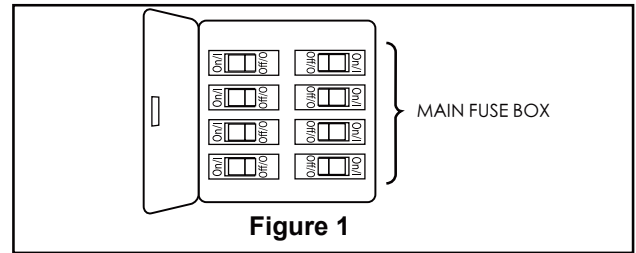


Figure 1

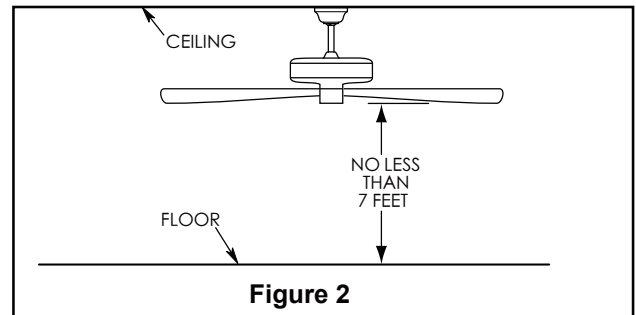


Figure 2

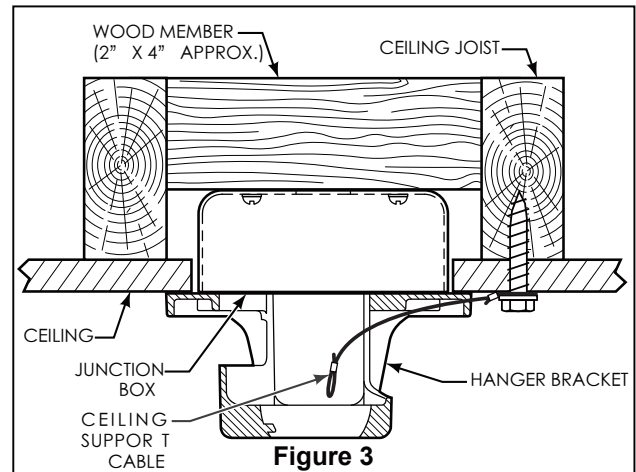


Figure 3

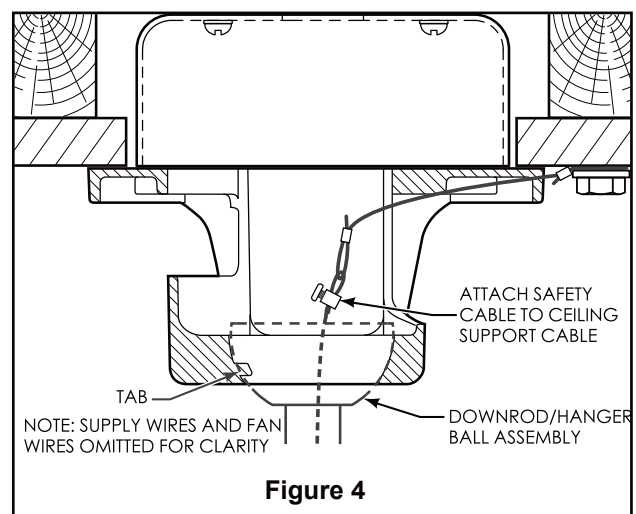


Figure 4

### HARDWARE USED:

CEILING SUPPORT  
CABLE CLAMP  
W/SCREW



X 1

# How to Wire Your Ceiling Fan

**NOTE:** If fan or supply wires are different colors than indicated, have this unit installed by a qualified electrician.

## ⚠ WARNING

To avoid possible electrical shock, be sure electricity is turned off at the main fuse box before wiring (Figure 1).

**NOTE:** If you are not sure if the outlet box is grounded, contact a licensed electrician for advice, as it must be grounded for safe operation.

**CAUTION:** INCORRECT WIRE CONNECTION COULD DAMAGE THIS RECEIVER.

1. Slide the receiver into the hanger bracket as shown in Figure 2.

2. Connect wires using connectors as shown in Figure 3.

## ⚠ WARNING

Check to see that all connections are tight, including ground, and that no bare wire is visible at the wire connectors. Do not operate fan until the blades are in place. Noise and motor damage could result.

3. After connections have been made, slide the receiver into the hanger bracket, taking care not to pinch the wires and put the white and green leads to one side and the black leads towards the other side. The wires should be spread apart with the grounded conductor and the equipment-grounding conductor on one side of the outlet box and the ungrounded conductor on the other side. (Figure 4).

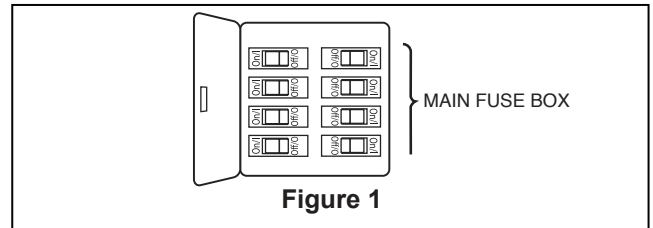


Figure 1

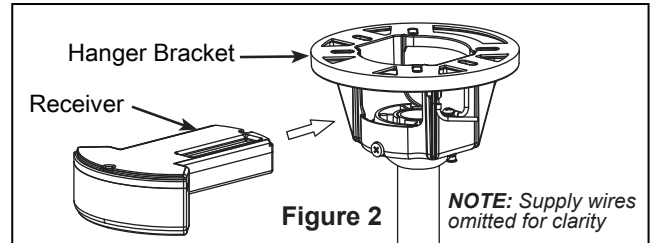


Figure 2

**NOTE:** Supply wires omitted for clarity

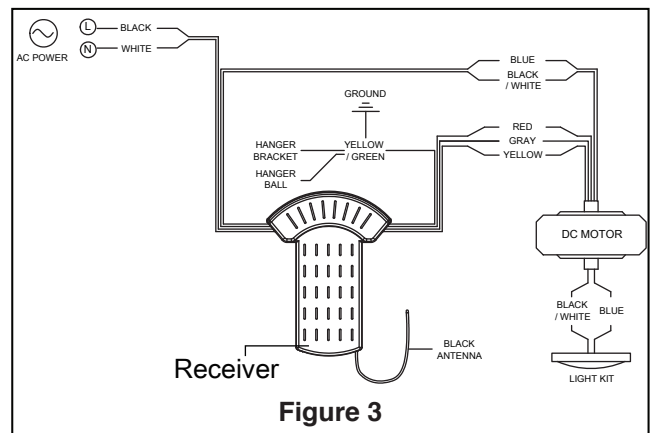


Figure 3

### RECEIVER HARDWARE USED:

WIRE CONNECTORS  x 8

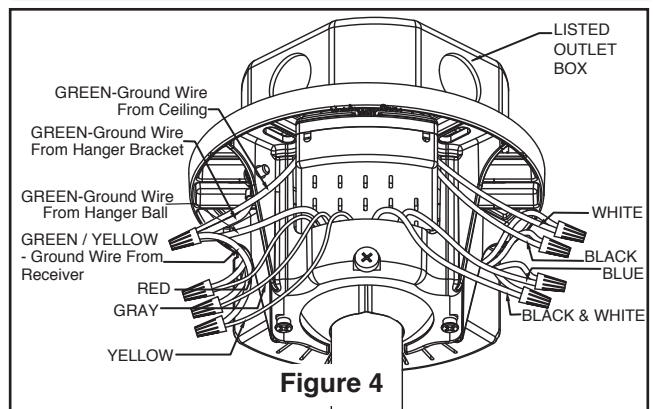


Figure 4

## How to Install Your Canopy Housing

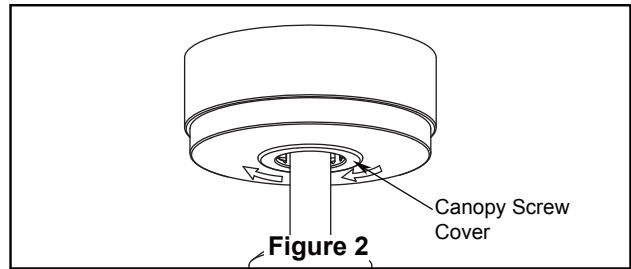
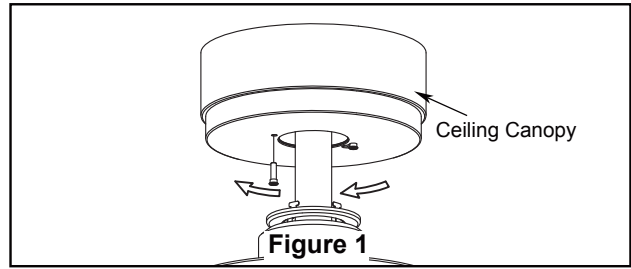
**NOTE:** This step is applicable *after* the necessary wiring is completed.

- 1. Remove one of the two shoulder screws in the hanger bracket. Loosen the second shoulder screw without fully removing it. Assemble canopy by rotating key slot in canopy over shoulder screw in hanger bracket. Tighten shoulder screw. Fully assemble and tighten second shoulder screw that was previously removed. (Figure 1)

### **⚠ WARNING**

To avoid possible fire or shock, make sure that the electrical wires are completely inside the canopy housing and not pinched between the housing and the ceiling.

- 2. Securely attach and tighten the canopy screw cover over the shoulder screws in the hanger bracket utilizing the keyslot twist-lock feature. (Figure 2)



## How to Assemble the Ceiling Fan Blades

- 1. Lay flat side of blade holder on a flat surface with the inside of the blade holder arm facing up. This is the side with the threaded posts and pitched foot. Position the blade over the blade holder with the threaded posts showing. Make sure the bottom edge of the blade is fully seated against the blade holder. Place blade cover on top of the blade, positioning the holes over the threaded posts. With a Phillips screwdriver, thread three screws into the posts but do not fully tighten. Prior to final tightening, position the centerline of the blade holder with the center of the end of the blade. Tighten three screws to secure the blade. (Figure 1)

### **CAUTION**

Do not connect fan blades until the fan is completely installed. Installing the fan with blades assembled may result in damage to the fan blades.

- 2. Secure the blade holders to the flywheel using the 1/4"-20 screws, the post on the blade holder need to align the hole between the 1/4"-20 threaded holes located on the bottom of the flywheel (Figure 2)

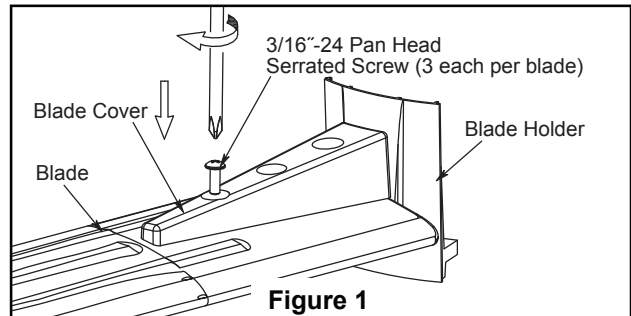
**NOTE:** Periodically check blade holder hardware and resecure if necessary.

### **⚠ WARNING**

To reduce the risk of personal injury, do not bend the blade holders when installing, balancing the blades or cleaning the fan. Do not insert foreign objects in between the rotating blades.

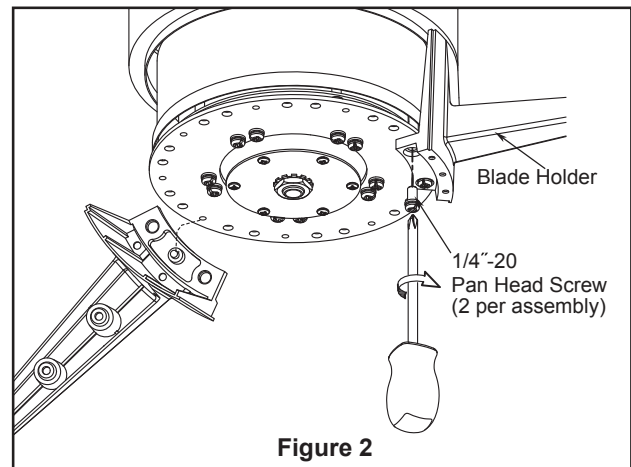
### **CAUTION**

To reduce the risk of electric shock, disconnect the electrical supply circuit to the fan before installing light kit.



#### **HARDWARE USED:**

3/16"-24 Pan Head Serrated Screw  x 27

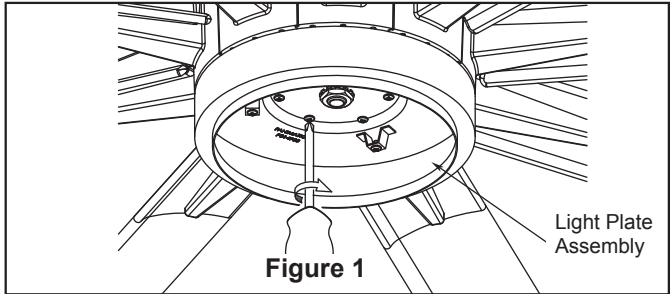


#### **HARDWARE USED:**

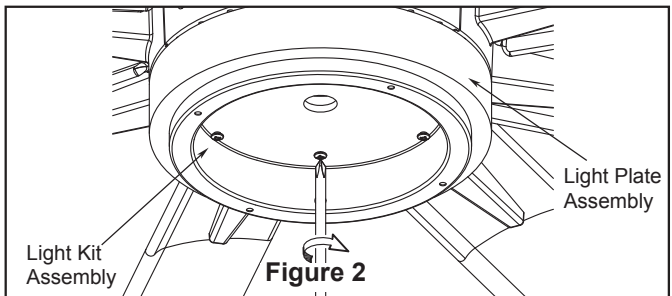
1/4"-20 Pan Head Screw  x 18

# How to Assemble Your Light Kit Assembly or Cap

- 1. Remove the six screws in the support bracket at the bottom of the motor assembly. Assemble the light plate assembly to the support bracket using the previously removed screws. (Figure 1)



- 2. Remove the three screws in the light plate assembly. Assemble the light kit assembly to the light plate assembly using the previously removed screws. (Figure 2)



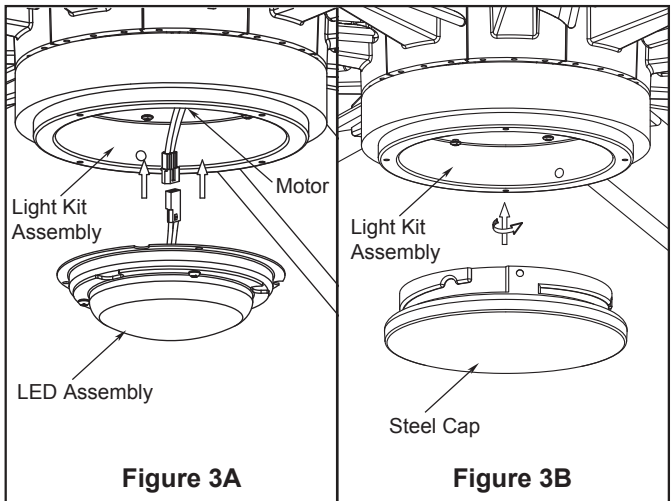
- 3. (Option A--for use with light kit)  
Remove the three screws in light kit assembly and retain for Step 4. Connect the 2 pin connectors from the LED assembly to the 2 pin connectors from motor assembly. (Figure 3A)

## CAUTION

To reduce the risk of electric shock, disconnect the electrical supply circuit to the fan before installing light kit.

- 3. (Option B--for use with steel cap)  
If you want to install the steel cap and not the light kit. Assemble the steel cap to the light kit assembly by twisting in a clockwise direction. (Figure 3B)

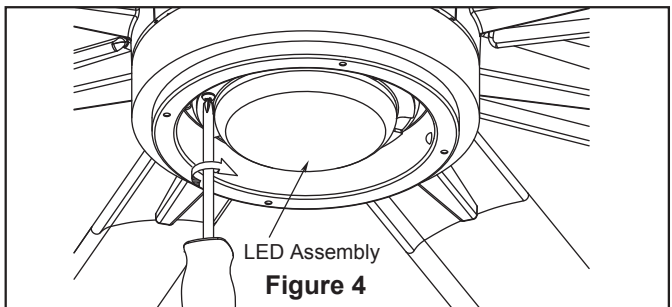
*NOTE: If you have installed your fan with the steel cap, skip steps 4 and 5.*



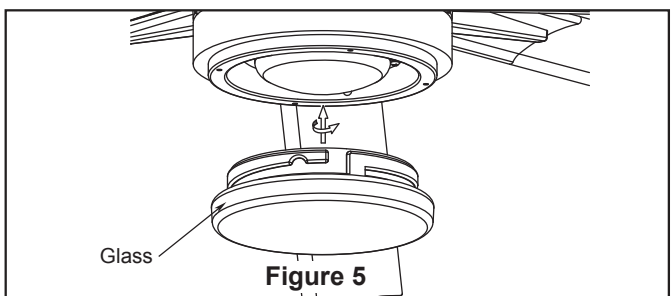
- 4. Assemble the LED assembly to the light kit assembly using the screws removed in Step 3A. (Figure 4)

## CAUTION

The light source is designed for this specific application and can overheat if serviced by untrained personnel. If any servicing is required, the product should be returned to an authorized service facility for examination or repair.



- 5. Secure the glass to light kit assembly by twisting in a clockwise direction. Do not over-tighten. (Figure 5)



## How to Operate Your Ceiling Fan

- 1. **IMPORTANT:** Using a full range dimmer switch (not included) to control fan speed will damage the fan. To reduce the risk of fire or electrical shock, do not use a full range dimmer switch to control the fan speed. (Figure 1)
- 2. Restore electrical power to the outlet box by turning the electricity on at the main fuse box. (Figure 2)

### **⚠ WARNING**

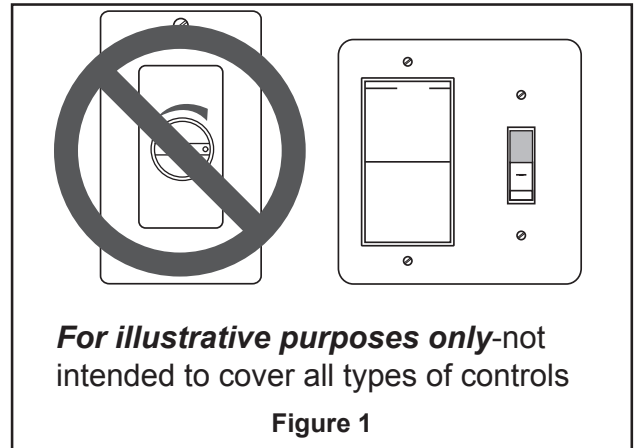
Check to see that all connections are tight, including ground, and that no bare wire is visible at the wire connectors, except for the ground wire. Do not operate fan until the blades are in place. Noise and fan damage could result.

### **⚠ WARNING**

Do not operate this fan with a variable (Rheostat) wall controller or dimmer switch. Doing so could result in damage to the ceiling fan's remote control unit.

**NOTE:** The fan's receiver features an automatic learning function. There are no frequency switches on the receiver unit. The receiver will automatically scan the frequency from the hand held control if any changes are made. The frequency settings should only be changed in the case of interference or if multiple ceiling fans with the same type of control system are installed in the same structure.

- 3. To make fan operational, install two 3V batteries (included) in hand-held remote transmitter, with fan power off. Then, follow the remote code setting process. If not used for long periods of time, remove battery to prevent damage to transmitter. Store the remote away from excessive heat or humidity. (Figure 3)
- 4. If you have multiple fans and want to program all fans to one handheld control, connect all fans to their power supply in the ceiling and follow Step 1 of the remote control set up process. Each fan needs to be no more than 30 feet from the handheld control that you would like to program. Please note the wall switch that controls the power to your fan(s) should be in the off position until you are ready to program your handheld remote(s).
- 5. If you have multiple fans and want to program each fan to separate handheld controls, connect one fan at a time to their power supply in the ceiling and follow Step 1 of the remote control set up process below. Before you connect the second fan to its power supply in the ceiling, you must disconnect the first fan that was wired and programmed from the power supply in the ceiling. Repeat these steps for each fan that you would like to program to a separate handheld remote. Please note that the wall switch that controls the power to your fan(s) should be in the off position until you are ready to program your handheld remote(s).



*For illustrative purposes only-not intended to cover all types of controls*

Figure 1

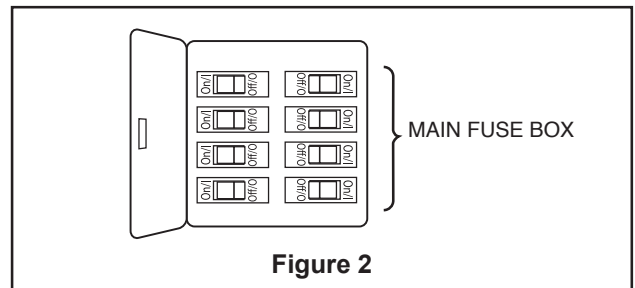


Figure 2

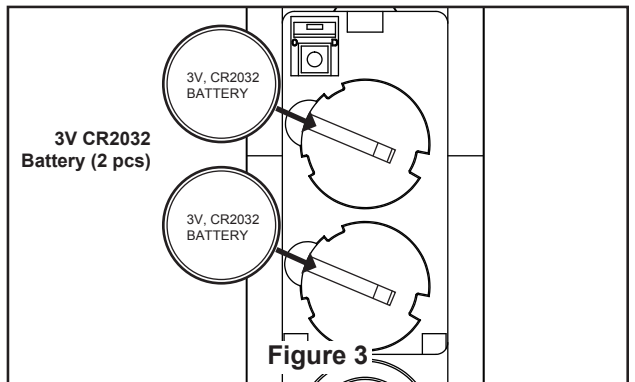


Figure 3

## How to Operate Your Ceiling Fan (continued)

### 6. Remote Control Setting and Speed (RPM) Setting Process : (Figure 4)

- 1) After installing and wiring the unit, restore power to your fan by ensuring that the breaker and wall switch that controls the power supply is moved to the on position, press and hold the “SET” button inside of the battery compartment of the handheld remote control for 1-3 seconds.
- 2) You must press the “SET” button within 30 seconds of restoring power to the fan.
- 3) When restoring power to your fan at the wall switch and breaker, DO NOT press any button(s) on the handheld remote control before pressing the “SET” button, otherwise the fan will fail the learn procedure.
- 4) If you press any button(s) on the handheld remote control before pressing the “SET” button, please turn the wall switch that controls the power to the fan to the off position then on again, and start the process beginning with Step 1 above.
- 5) When you press the “SET” button the fan will make two musical sound and light will blink twice, and it has finished the control set up process.
- 6) The fan is now ready for normal use.

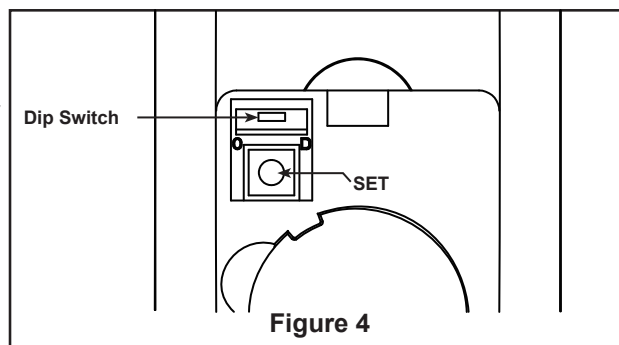


Figure 4

### 7. Remote functions: (Figure 5)

LOW HI

- Indicator LED light: fan speed and light dimmer indicator
- button: Tap once to turn off the fan. Press and hold this button for 5 seconds to turn on or turn off the buzzer.
- Fan Speed:
  - △ Turn on fan and turn speed up.
  - ▽ Turn on fan and turn speed down.
- Light button: Turn ON/OFF the light.
  - △ Increase light output level.
  - ▽ Decrease light output level.
- Sleep Timer:
  - The fan and light will turn off after 1 hour.
  - The fan and light will turn off after 3 hours.
  - The fan and light will turn off after 6 hours.
- Home Away: Tap this button, the light will blink twice signaling this feature is on; the fan will turn off and the light will randomly turn on and off while you are away. Pressing any button will cancel the feature.
- Fresh Air: Fan speed will modulate to simulate a natural breeze.

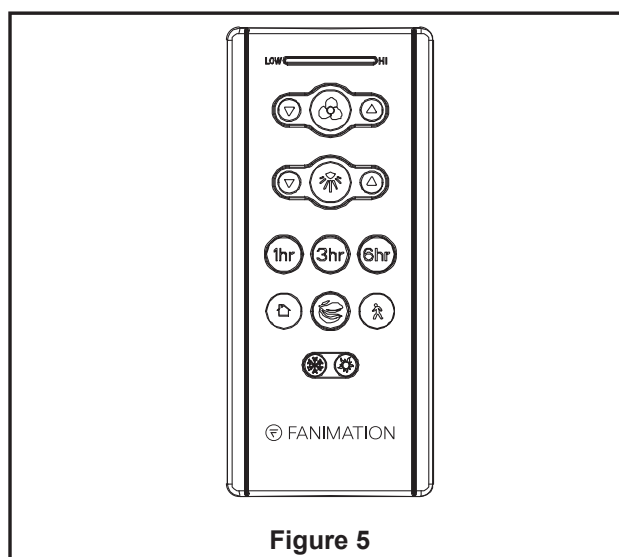
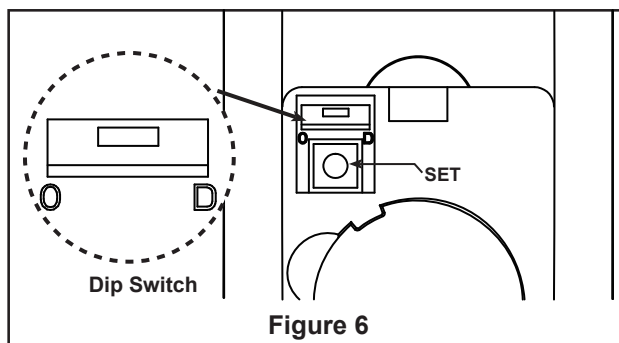


Figure 5

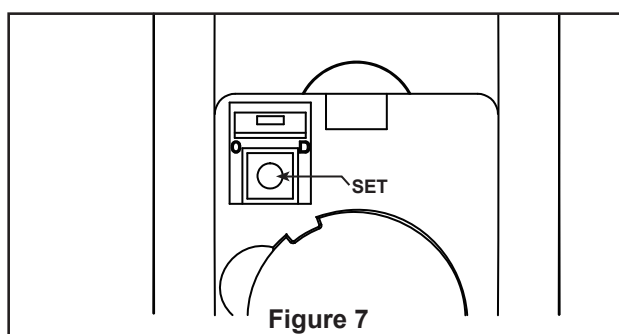
- Safe Exit: Tap once, the light will blink once; fan and light will turn off after 1 minute. Pressing any button will cancel this feature.
- Reverse button:
  - Summer- The fan runs counterclockwise. Airflow will provide a downward cooling breeze.
  - Winter- The fan runs clockwise. Airflow will force warm air downward without a noticeable breeze.

## How to Operate Your Ceiling Fan (continued)

- 8. "D" and "O" dip switch:**  
For this fan, switch should be in the "D" position, allowing for dimming of the light. (Figure 6)  
The receiver provides the following protective function:  
Lock position: The DC motor has a built-in safety feature against blade obstruction during operation. If something obstructs the fan blades the motor will stop operating after 60 seconds of interruption. Please remove obstacles and reset.



- 9. If you have encountered an issue during the set up process, you can follow the below procedure to clean the memory code of your handheld remote: (Figure 7)**
- 1)** Turn the wall switch that controls the power to the fan to the off position, or the breaker that controls the power to the fan to the off position.
  - 2)** Turn the wall switch that controls the power to the fan to the on position, or the breaker that controls the power to the fan to the on position.
  - 3)** Press the "SET" button inside of the battery compartment of the handheld remote control WITHIN 30 seconds of restoring power to the fan.
  - 4)** Pressing the "SET" button for 2 seconds will indicate if the fan is programmed to the remote control in hand.
  - 5)** The fan will beep twice and the light will turn on and off twice, if there is no light, the fan will beep only – this indicates that the fan has learned the code of the handheld you are holding.
  - 6)** Pressing the "SET" button for 5 seconds or more will start the code clearing process. The fan will beep twice, the light will turn on and off twice if the fan has a light.
  - 7)** This will indicate that the fans and handheld remotes have cleared their memory codes.
  - 8)** Please note in order for the memory codes to be cleared, you must hold the set button for 5 seconds or longer.



## How to Set Up the fanSync App (optional)

Visit the Apple App Store or the Google Play Store by [www.fanimation.com/fansync](http://www.fanimation.com/fansync) to download the freely available fanSync app.

**IMPORTANT:** Bluetooth must be turned on in your smart device settings.

1. Open the fanSync app and tap the new fan to begin setup. (Figure 1)

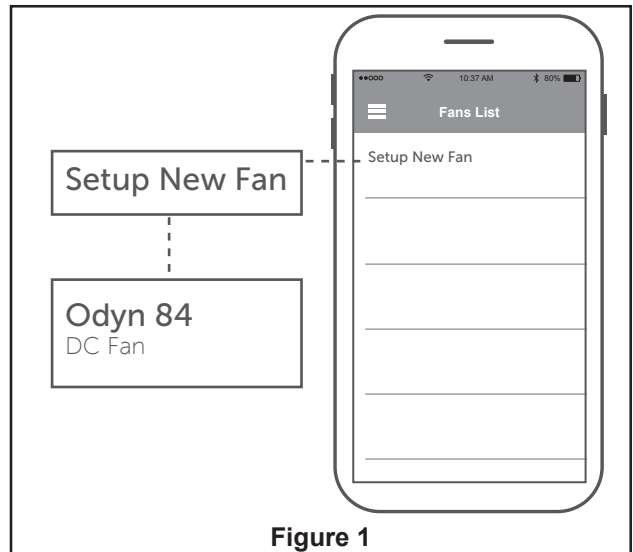


Figure 1

2. Press Save and your fan will be ready to operate (Figure 2)

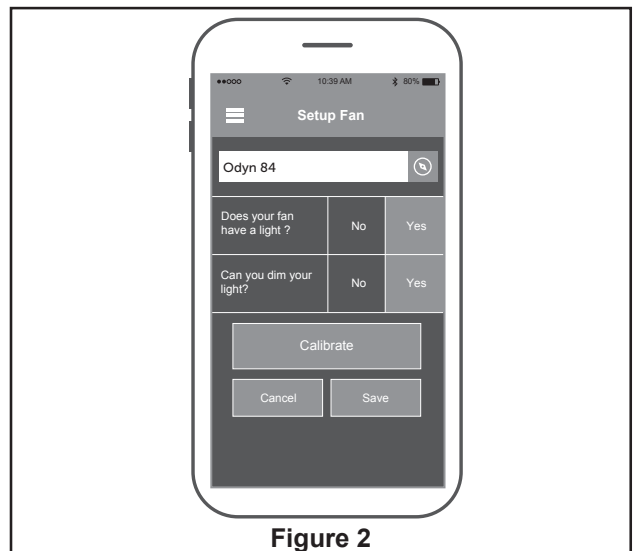


Figure 2

3. Fan functions as shown. (Figure 3)

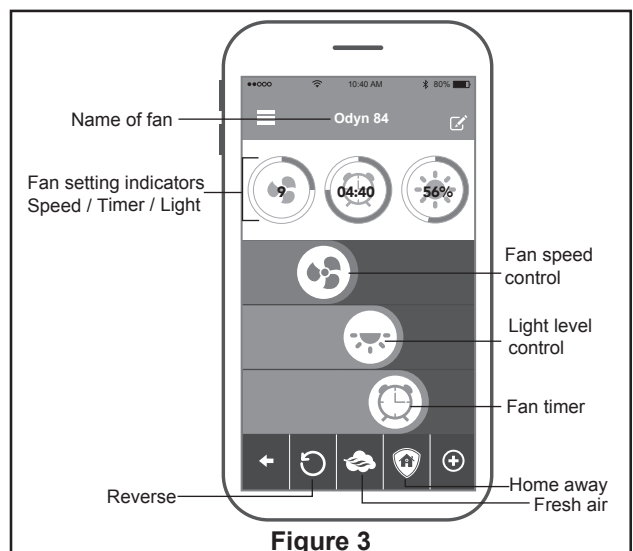


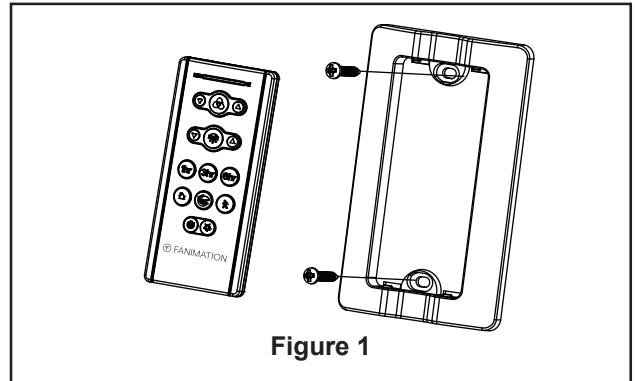
Figure 3



---

## How to Install Your Remote Control

1. **Installing Wall Holder:** (Figure 1)  
Attach wall plate using the two provided screws.



---

## Maintenance

1. Periodic cleaning of your new ceiling fan is the only maintenance that is needed.  
When cleaning, use only a soft brush or lint free cloth to avoid scratching the finish.  
Abrasive cleaning agents are not required and should be avoided to prevent damage to finish.

### CAUTION

Do not use solvents when cleaning your ceiling fan. It could damage the motor or the blades and create the possibility of electrical shock.

**RECOMENDED:** Periodically check that the blade holders to motor hub screws are secure and tight.

---

## How to Clean Your Ceiling Fan Blades

Periodic light dusting of the blades is recommended.  
A feather duster will work best.

Avoid using water, cleansers, or harsh rags, which can warp and ruin the blades.

# Trouble Shooting

 **WARNING**

For your own safety turn off power at fuse box or circuit breaker before trouble shooting your fan.

Trouble	Probable Cause	Suggested Remedy
<b>1. FAN WILL NOT START</b>	<ol style="list-style-type: none"> <li>1. Fuse or circuit breaker blown.</li> <li>2. Loose power line connections to the fan, or loose switch wire connections in the switch housing.</li> <li>3. Dead battery in remote control.</li> </ol>	<ol style="list-style-type: none"> <li>1. Check main and branch circuit fuses or circuit breakers.</li> <li>2. Check line wire connections to fan and switch wire connections in the switch housings. <b>CAUTION: Make sure main power is turned off !</b></li> <li>3. Replace with new battery.</li> </ol>
<b>2. FAN SOUNDS NOISY</b>	<ol style="list-style-type: none"> <li>1. Blades not attached to fan.</li> <li>2. Loose screws in motor housing.</li> <li>3. Screws securing fan blade holders to motor flywheel are loose.</li> <li>4. Wire connectors inside housing rattling.</li> <li>5. Motor noise caused by solid state variable speed control.</li> <li>6. Screws holding blades to blade holders are loose.</li> </ol>	<ol style="list-style-type: none"> <li>1. Attach blades to fan before operating.</li> <li>2. Check to make sure all screws in motor housing are snug (do not overtighten).</li> <li>3. Check to make sure the screws which attach the fan blade holders to the motor flywheel are tight.</li> <li>4. Check to make sure wire connectors in switch housing are not rattling against each other or against the interior wall of the switch housing. <b>CAUTION: Make sure main power is turned off !</b></li> <li>5. Some fan motors are sensitive to signals from solid-state variable speed controls. Solid-state controls are not recommended, choose an alternative control method.</li> <li>6. Tighten screws securely.</li> </ol>
<b>3. FAN WOBBLER EXCESSIVELY</b>	<ol style="list-style-type: none"> <li>1. Setscrew in downrod support is loose.</li> <li>2. Setscrew in downrod/hanger ball assembly is loose.</li> <li>3. Screws securing fan blade holders to blades are loose.</li> <li>4. Blade holders not seated properly.</li> <li>5. Hanger bracket and/or ceiling outlet box is not securely fastened.</li> <li>6. Fan blades out of balance.</li> </ol>	<ol style="list-style-type: none"> <li>1. Tighten both setscrews securely in downrod support.</li> <li>2. Tighten the setscrew in the downrod/hanger ball assembly.</li> <li>3. Check to be sure screws which attach the fan blade holders to the blades are tight.</li> <li>4. Check to be sure the fan blade holders seat firmly and uniformly to the surface of the motor housing. If holders are seated incorrectly, loosen the screws and retighten.</li> <li>5. Tighten the hanger bracket screws to the outlet box, and secure outlet box.</li> <li>6. Balance blades using balance kit provided in hardware bag.</li> </ol>
<b>4. NOT ENOUGH AIR MOVEMENT</b>		<ol style="list-style-type: none"> <li>1. If possible, consider using a longer downrod (not included, you can buy the longer downrod from <a href="http://fanimation.com">fanimation.com</a>).</li> </ol>

## Parts List

### Model No. FPD8159\*\*

Reference #	Description	Part #
1	Hanger Bracket Assembly	AP255BL
2	Hanger Ball/Downrod Assembly	ADR1SS-6**
3	Canopy	PG164**
4	Canopy Screw Cover Assembly	AP260**
5	Motor Coupling Cover	APPAC1410**
6	Motor Assembly	AMA8159**
7	Blade Cover Set	AP814802**
8	Blade Set	AP814809**
9	Blade Holder Set	AP814812**
10	Light Plate Assembly	AP814903**
11	Light Kit Assembly	AP814906**
12	LED Assembly	AP814908D3090
13	Steel Cap	P814905**
14	Hand-Held Remote	TR205
15	Receiver	RECAN205SBT-8159
16	Loose Hardware Bag:	HDWFDP8159**
—	Balance Kit	—
—	Wire Connector (4)	—
—	#8-32 Junction Box Screws, Stainless Steel (2)	—
—	Flat Washer, Stainless Steel (2)	—
	Blade Mounting Hardware Bag:	
—	Pan Head Serrated Screws 3/16"-24 (28)	—
	Blade Holder Mounting Hardware Bag:	
—	Pan Head Screw 1/4"-20 (19)	—
—	Bag Assembly Safety Cable	—

\*\* Insert FINISH CODES (Refer to fan model number located on downrod support)

**Before discarding packaging material, be certain all parts have been removed.**

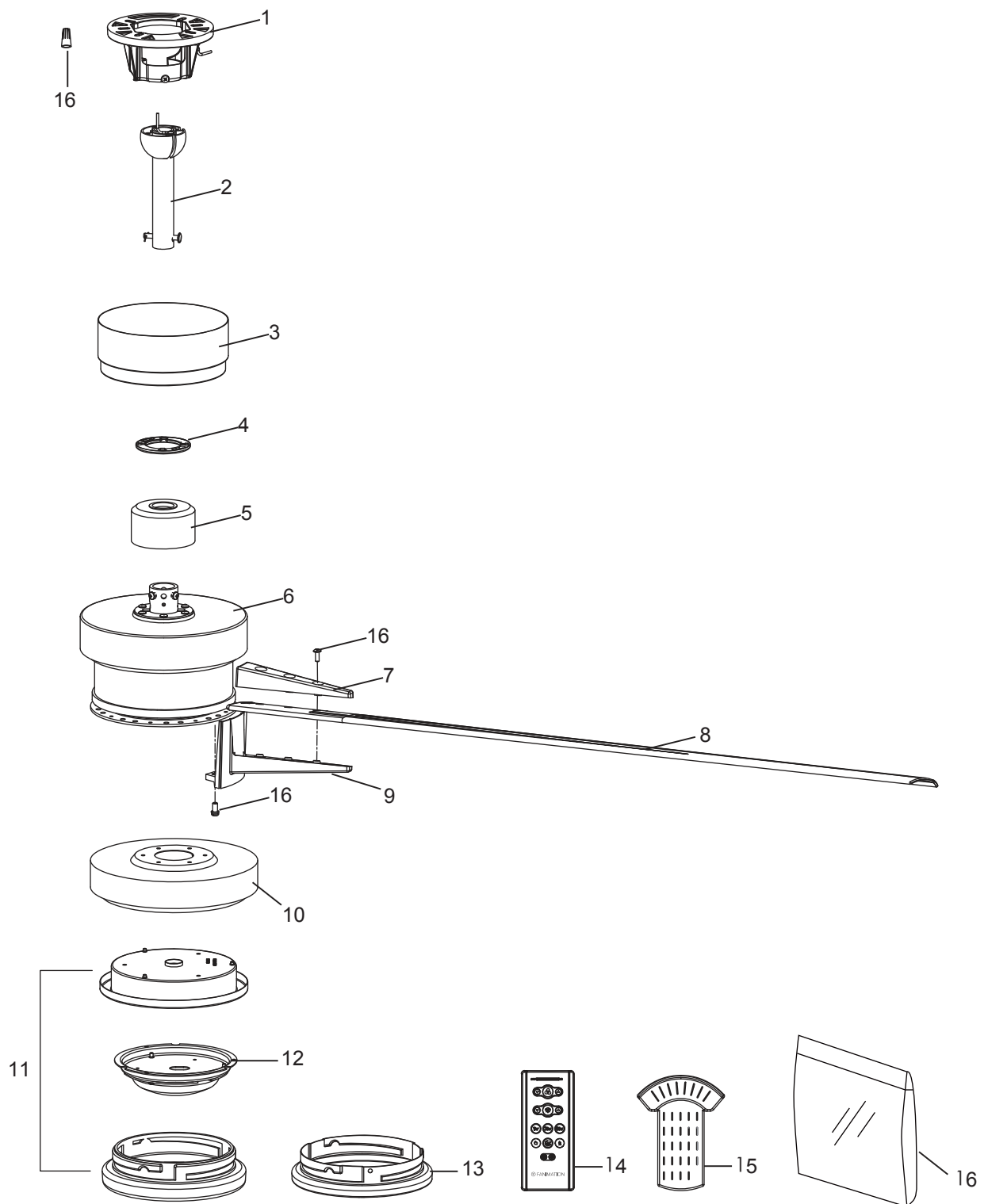
#### HOW TO ORDER REPAIR PARTS

When ordering repair parts, always give the following information:

- Part Number
- Part Description
- Fan Model Number

Contact your retail store for repair parts.

**Odyn™ 84**  
**Model FPD8159\*\***  
**Exploded-View Illustration**



**Figure 1**

**NOTE:** The illustration shown is not to scale or its actual configuration may vary. Product/parts are subject to change without notice.





10983 Bennett Parkway  
Zionsville, IN 46077  
Phone: 888-567-2055  
Outside U.S.: 317-733-4113  
FAX: 866-482-5215  
FANIMATION.COM

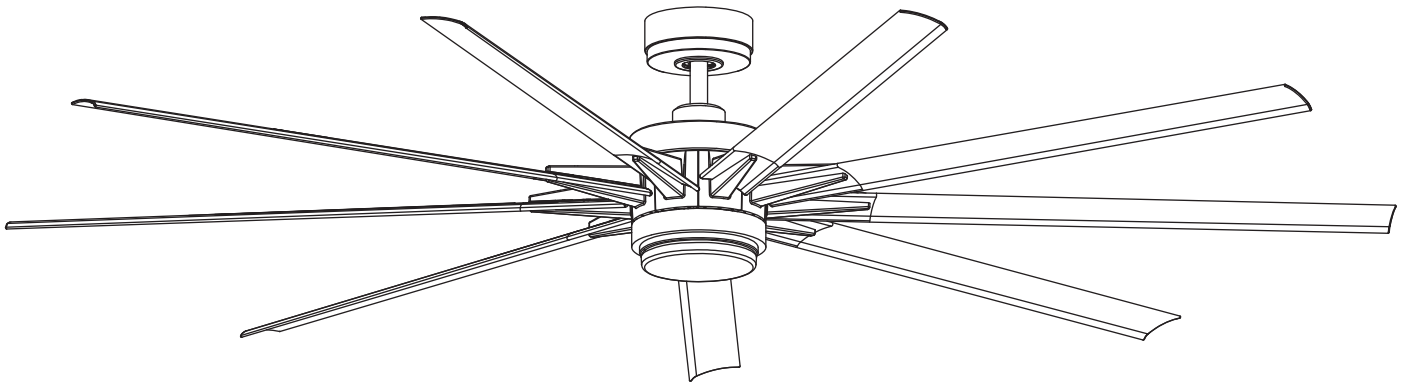
2018/01 V.01  
Copyright 2018 Fanimation



FANIMATION®  
SHOWROOM COLLECTION

## VENTILADOR DE TECHO ODYN™ 84

MODELO #FPD8159\*\*



ADJUNTE SU RECIBO AQUÍ Y REGISTRE SU VENTILADOR EN [FANIMATION.COM](http://FANIMATION.COM)  
LEA Y GUARDE ESTAS INSTRUCCIONES



Número de serie \_\_\_\_\_ Fecha de compra \_\_\_\_\_ Peso neto 15.50 kg (34.18 lbs)



**Preguntas, problemas, piezas faltantes?** Antes de volver a la tienda, llame a nuestro Departamento de Servicio al Cliente al 1-888-567-2055, 8 a.m. - 5 pm, hora del Este, de lunes - viernes.

## Instrucciones de seguridad importantes

**ADVERTENCIA: Siga estas instrucciones para prevenir incendios, descargas eléctricas y lesiones personales graves.**

1. Lea el manual del propietario y la información de seguridad antes de instalar su nuevo ventilador. Observe los diagramas de ensamblaje adjuntos.
2. Antes de llevar a cabo el mantenimiento o la limpieza de la unidad, desconecte la electricidad en el panel de servicio y bloquee los medios de desconexión del mismo para evitar que se active accidentalmente. Si no se pueden bloquear los medios de desconexión del servicio, coloque un dispositivo de advertencia, como una etiqueta, en el panel de servicio.
3. Tenga cuidado con la estructura y las aspas del ventilador cuando limpie, pinte o trabaje cerca del mismo. Desconecte siempre la electricidad del ventilador de techo antes de llevar a cabo el mantenimiento.
4. No coloque nada en las aspas del ventilador cuando éste se encuentra en funcionamiento.
5. El dispositivo no ha sido diseñado para ser utilizado por niños o personas enfermas sin supervisión. Los niños deben ser supervisados para asegurarse de que no juegan con el dispositivo.

## Instrucciones de seguridad adicionales

1. Para evitar posibles descargas eléctricas, asegúrese de que la electricidad esté desconectada en la caja de fusibles antes de realizar la instalación eléctrica, y no haga funcionar el ventilador sin las aspas.
2. Todos los procedimientos de conexión eléctrica e instalación deben cumplir con los Códigos eléctricos nacionales (ANSI/NFPA 70) y Códigos locales. El ventilador de techo debe estar conectado a tierra a fin de prevenir posibles descargas eléctricas. La instalación eléctrica debe ser llevada a cabo o aprobada por un electricista autorizado.
3. Se debe fijar bien la base del ventilador; ésta debe ser capaz de soportar sin problemas al menos 15,9 kg (35 lb). Consulte la página 24 del manual del propietario para ver los requisitos de soporte. Si tiene dudas, consulte a un electricista calificado.
4. Las aspas del ventilador deben instalarse por lo menos a 2,13 m (7 pies) del suelo, a fin de evitar un contacto accidental con las mismas.
5. Siga las recomendaciones sobre el método correcto de instalación eléctrica de su ventilador de techo. Si no posee la experiencia o los conocimientos eléctricos adecuados, contrate a un electricista autorizado para instalar el ventilador.
6. No apto para usar con controles de velocidad de estado sólido.
7. En lo que respecta a las conexiones de suministro, si el conductor del ventilador está identificado como conductor con conexión a tierra, se le debe conectar a un suministro de electricidad con conductor de puesta a tierra. Si el conductor del ventilador está identificado como conductor que no es de puesta a tierra, se le debe conectar a un suministro de electricidad con conductor sin puesta a tierra. Si el conductor del ventilador está identificado para equipos de puesta a tierra, se le debe conectar al conductor de equipos de puesta a tierra.
8. Este ventilador de techo es para ser utilizado en lugar húmedo.

**ADVERTENCIA: PARA REDUCIR EL RIESGO DE DESCARGAS ELÉCTRICAS, ESTE VENTILADOR SE DEBE INSTALAR CON UN CONTROL/INTERRUPTOR DE PARED AISLADO.**

**ADVERTENCIA:** Este producto está diseñado para ser usado sólo con las piezas suministradas o los accesorios indicados específicamente para el mismo. Si utiliza piezas o accesorios que no están indicados para su uso con este producto, podría sufrir lesiones personales o dañar el ventilador. **ADVERTENCIA:** Este producto está diseñado para ser usado sólo con las piezas suministradas o los accesorios indicados específicamente para el mismo. Si utiliza piezas o accesorios que no están indicados para su uso con este producto, podría sufrir lesiones personales o dañar el ventilador.

**ADVERTENCIA:** Para reducir el riesgo de lesiones personales, no doble los soportes de las aspas (borde o soporte de aspas) al instalar los soportes, balancear las aspas o limpiar el ventilador. No coloque objetos extraños entre las aspas del ventilador en funcionamiento.

**ADVERTENCIA:** Monte a una caja de salida aceptable para apoyo de los aficionados.

**ADVERTENCIA:** No utilice este ventilador con un controlador variable de pared (Rheostat) o un regulador de intensidad. Si lo hiciera podría dañar la unidad del mando a distancia del ventilador de techo.

**AVERTISSEMENT:** CE VENTILATEUR DOIT ÊTRE INSTALLÉ AVEC UNE COMMANDE/INTERRUPTEUR MURAL ISOLANT À USAGE GÉNÉRAL AFIN DE RÉDUIRE LES RISQUES D'ÉLECTROCUTION.

**AVERTISSEMENT:** Ce produit est conçu pour utiliser uniquement les pièces l'accompagnant et/ou les accessoires spécifiquement conçus pour ce produit. L'utilisation de pièces et/ou d'accessoires qui ne sont pas conçus pour être utilisés avec ce produit peut provoquer des blessures ou des dommages matériels.

**AVERTISSEMENT:** Afin de réduire le risque de blessure, ne pliez pas le support de pale (bride ou porte-pale) lors de l'installation des supports, de l'équilibrage des pales ou du nettoyage du ventilateur. N'insérez pas de corps étrangers entre les pales du ventilateur en rotation.

**AVERTISSEMENT:** N'utilisez pas ce ventilateur avec un contrôleur mural (rhéostat) variable ou un gradateur. Cela pourrait endommager la télécommande du ventilateur de plafond.

**AVERTISSEMENT:** Montez sur une boîte de sortie indiquée comme étant acceptable pour supporter un ventilateur.

(1) Este equipo no causará interferencias perjudiciales y (2) este equipo tolerará cualquier interferencia recibida, incluidas las interferencias que puedan provocar un funcionamiento no deseado. Si el radiador intencional puede ser clasificado como un dispositivo digital de clase B o un periférico del ordenador, entonces se deberán incluir los siguientes o equivalentes:

Nota: Tras someterlo a las pruebas correspondientes, se ha determinado que este equipo cumple con los límites establecidos para dispositivos digitales de Clase B de conformidad con la parte 15 de la Normativa FCC. Estos límites se han establecido con el objetivo de aportar una protección razonable contra interferencias perjudiciales cuando el equipo se utiliza en el hogar. Este equipo genera, utiliza y puede emitir energía de radiofrecuencia y, a menos que se instale y se utilice de acuerdo con el manual de instrucciones, puede provocar interferencias perjudiciales en las comunicaciones por radio y televisión. Si el equipo produce interferencias perjudiciales en la recepción de radio o televisión, lo cual puede probarse encendiendo y apagando el equipo, se recomienda al usuario corregir dichas interferencias tomando una o varias de las siguientes medidas:

- Modificar la orientación o ubicación de la antena de recepción;
- Aumentar la separación entre el equipo y el receptor;
- Conectar el equipo a una toma de corriente o circuito diferente al del receptor;

Consulte al distribuidor o a un técnico especialista de radio o TV para obtener más ayuda.

Nota: Para un dispositivo digital de clase A, la declaración de 15. 105(a) debe ser incluida cuando sea apropiada para el dispositivo en cuestión.



## **GARANTÍA LIMITADA DE POR VIDA**

### **Se extiende al comprador original de un ventilador Fanimation**

1. GARANTÍA LIMITADA DE POR VIDA DEL MOTOR - Si se produjera una falla en alguna de las partes del motor de su ventilador debido a un defecto en los materiales o en la fabricación durante el tiempo de vida del comprador original, Fanimation proporcionará la pieza de repuesto sin cargo una vez que el ventilador defectuoso sea devuelto a nuestro centro de servicios nacional. Se requiere comprobante de venta. El cliente se hará responsable de todos los gastos de remoción o reinstalación y envío del producto para reparaciones o sustitución.
2. GARANTÍA DE MANO DE OBRA DEL MOTOR POR UN AÑO - Si el motor de su ventilador fallara antes de cumplirse un año a partir del momento de su compra original debido a defectos en los materiales o en la fabricación, se le efectuará la reparación del mismo sin cargo en nuestro centro de servicios nacional. El comprador se hará responsable de los gastos de mano de obra luego del período de un año. El cliente se hará responsable de todos los gastos de remoción o reinstalación y envío del producto para reparaciones o sustitución.
3. Si otra pieza del ventilador fallara dentro del período de un año a partir de la fecha de compra original debido a un defecto en los materiales o en la fabricación, repararemos o sustituiremos, según creamos conveniente, la pieza defectuosa sin cargo alguno en nuestro centro de servicios nacional.
4. Si otra pieza del kit de luz fallara dentro del período de cinco años a partir de la fecha de compra original debido a un defecto en los materiales o en la fabricación, repararemos o sustituiremos, según creamos conveniente, la pieza defectuosa sin cargo alguno en nuestro centro de servicios nacional.
5. Debido a las diversas condiciones climáticas, esta garantía no cubre cambios en la terminación, incluidos oxidación, corrosión, falta de brillo o peladuras.
6. Esta garantía es nula y no se aplica a daños por instalación incorrecta, negligencia, accidentes, uso indebido, exposición al calor o a la humedad en exceso, o como resultado de cualquier modificación realizada al producto original.
7. Todos los gastos de remoción y reinstalación del ventilador son responsabilidad exclusiva del propietario, y no de la tienda que vendió el ventilador ni de Fanimation.
8. Fanimation se reserva el derecho de modificar o discontinuar un producto en cualquier momento, o sustituir cualquier pieza según lo establecido por esta garantía.
9. En ningún caso se podrá devolver un ventilador sin previa autorización por parte de Fanimation. Las devoluciones autorizadas deberán ir acompañadas del recibo de venta y deberán enviarse a Fanimation, previo pago del flete. El ventilador que se devuelva deberá estar embalado en forma adecuada a fin de evitar daños durante el transporte. Fanimation no se hará responsable de los daños que resulten del embalaje incorrecto del producto.
10. Se entiende que las reparaciones y las sustituciones son el único recurso disponible de Fanimation. No existe ninguna otra garantía expresa o implícita. Por la presente, Fanimation niega todas las garantías implícitas, que incluyen, entre otras, la comerciabilidad y la aptitud para determinado fin hasta donde la ley lo permita. Algunos estados no permiten limitaciones sobre las garantías implícitas. Fanimation no se hará responsable por daños accidentales, resultantes o especiales derivados del uso o el rendimiento del producto o en conjunción con éste, excepto en los casos en los que la ley así lo disponga. Esta garantía le otorga derechos legales especiales y es posible que también goce de otros derechos que pueden variar según el estado.
11. Es normal que se produzca un cierto movimiento oscilante y esto no debe considerarse un problema o defecto.

### **Tabla de contenidos**

Instrucciones para el desempaque.....	26	Cómo utilizar su ventilador de techo.....	36
Uso eficiente de la energía en ventiladores de techo.....	27	Configuración de la App fanSync (opcional).....	40
Requisitos eléctricos y estructurales.....	27	Cómo instalar su mando a distancia.....	41
Cómo ensamblar el ventilador de techo.....	29	Mantenimiento.....	41
Cómo colgar el ventilador de techo.....	31	Limpieza de las aspas.....	41
Cómo realizar la instalación eléctrica del ventilador de techo.....	33	Solución de problemas.....	42
Cómo instalar la carcasa de la cubierta.....	34	Lista de piezas.....	43
Cómo ensamblar las aspas del ventilador de techo.....	34	Ilustración del despiece.....	44
Cómo ensamblar su el kit de iluminación o la tapa.....	35		

**Este manual está diseñado para facilitar, en la medida de lo posible, el ensamblaje, la instalación, el funcionamiento y el mantenimiento de su ventilador de techo**

### **Herramientas necesarias para el ensamblaje**

- Destornillador Phillips
- Escalera de tijera
- Destornillador de ¼"
- Pelacables
- Cuatro conectores de cables (incluidos)

### **Materiales**

La caja de distribución eléctrica y los conectores de la caja deben ser del tipo requerido por el código local. El cable más pequeño debe ser un cable de tres conductores (de dos conductores con conexión a tierra) del siguiente tamaño:

<u>longitud del cable instalado</u>	<u>tamaño del cable según el A.W.G.</u> (Calibre de Alambre Estadounidense)
hasta 15,2 m (50 pies)	14
de 15,2 a 30,5 m (50 a 100 pies)	12

#### **⚠ ADVERTENCIA**

**Antes de ensamblar el ventilador de techo, consulte la sección sobre el método correcto de instalación eléctrica del ventilador (página 33). Si siente que no posee la experiencia o los conocimientos eléctricos necesarios, contrate a un electricista autorizado para instalar el ventilador.**

#### **⚠ AVERTISSEMENT**

**Reportez-vous à la section sur la méthode appropriée de câblage du ventilateur (page 33) avant d'assembler votre ventilateur de plafond. Faites installer votre ventilateur par un électricien agréé si vous pensez que vous n'avez pas assez de connaissances ou d'expérience en câblage.**

*NOTA: coloque las piezas de las bolsas de piezas individuales en un contenedor pequeño para evitar que se extravíen. Si faltan piezas, póngase en contacto con su proveedor local.*

## Instrucciones para el desempaque

Para su comodidad, marque cada uno de los pasos. A medida que completa cada paso, coloque una marca de verificación. Con esto se asegurará de completar todos los pasos y podrá saber desde dónde retomar si fuera interrumpido.

### ⚠ ADVERTENCIA

No instale ni utilice el ventilador si falta alguna pieza o si hay piezas dañadas. Este producto está diseñado para ser usado sólo con las piezas suministradas o los accesorios indicados por Fanimation específicamente para el mismo. La sustitución de piezas o accesorios no designados por Fanimation para usar con este producto podría ocasionar lesiones personales o daños en el ventilador. Póngase en contacto con su tienda si faltan piezas o hay piezas dañadas.

### ⚠ AVERTISSEMENT

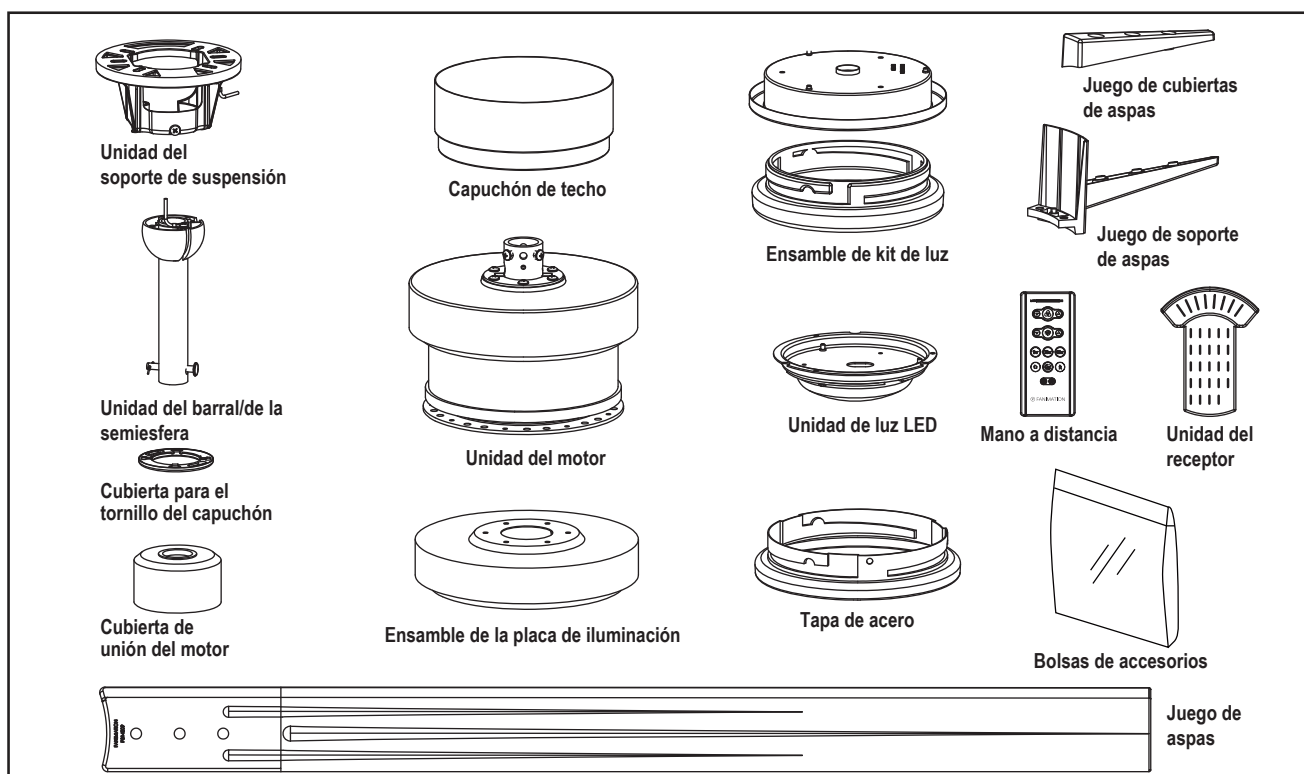
N'installez pas et n'utilisez pas le ventilateur si l'une de ses pièces est endommagée ou manquante. Ce produit est conçu pour utiliser uniquement les pièces l'accompagnant et/ou les accessoires spécifiquement conçus pour ce produit par Fanimation. La substitution de pièces ou d'accessoires non conçus par Fanimation pour être utilisés avec ce produit peut provoquer des blessures ou des dommages matériels. Contactez votre lieu de vente en cas de pièces manquantes ou endommagées.

- Unidad del motor
- Unidad del soporte de suspensión
- Unidad del barral/de la semiesfera
- Capuchón de techo
- Cubierta para el tornillo del capuchón
- Cubierta de unión del motor
- Juego de cubiertas de aspas
- Juego de soporte de aspas
- Juego de aspas
- Ensamble de la placa de iluminación
- Ensamble de kit de luz
- Unidad de luz LED
- Tapa de acero
- Mano a distancia
- Unidad del receptor

- Bolsas de accesorios:
  - Tornillo serrado de cabeza plana de 3/16"-24
  - Tornillo de cabeza plana de 1/4"-20
  - Kit de balanceo
  - Conectores de cables
  - Kit de cables de seguridad
  - Tornillos para cajas de conexiones, acero inoxidable
  - Arandela plana, acero inoxidable

1. Verifique que haya recibido las siguientes piezas:

**NOTA:** Si no está seguro de la descripción de una pieza, consulte la ilustración del despiece.



## Uso eficiente de la energía en ventiladores de techo

El nivel de rendimiento y ahorro de energía de los ventiladores de techo dependen de su correcta instalación y uso. A continuación le presentamos algunas sugerencias para asegurar un rendimiento eficiente del producto.

### Selección del lugar de montaje adecuado

Los ventiladores de techo se deben instalar en el centro de la habitación, a 2,13 m (7 pies) de altura del piso hasta la cuchilla como mínimo y 0,5m (18 pulgadas) de las paredes hasta la cuchilla. Si la altura del techo lo permite, instale el ventilador a 2,5m (8-9 pies) de altura del piso hasta la cuchilla para un flujo de aire óptimo. Consulte en su tienda minorista de Fanimation para obtener accesorios de montaje opcionales.

### Apague el ventilador cuando no se encuentre en la habitación

Los ventiladores son para refrescar a la gente, no a las habitaciones. Si la habitación está vacía, apague el ventilador de techo para ahorrar energía.

### Uso del ventilador de techo todo el año

**En verano:** Use el ventilador de techo en sentido contrario a las agujas del reloj. El flujo de aire que produce el ventilador creará un efecto frío del aire que lo refrescará más. Seleccione una velocidad que le proporcione una brisa confortable. Las velocidades más bajas consumen menos energía.

**En invierno:** Invierta el motor y haga funcionar el ventilador de techo a velocidad baja y en el sentido de las agujas del reloj. Esto produce una suave corriente ascendente, que obliga al aire cálido que se acumula cerca del techo a bajar al espacio ocupado. No olvide ajustar el termostato cuando utilice el ventilador de techo. Con este sencillo paso puede ahorrar energía adicional y dinero.

## Requisitos eléctricos y estructurales

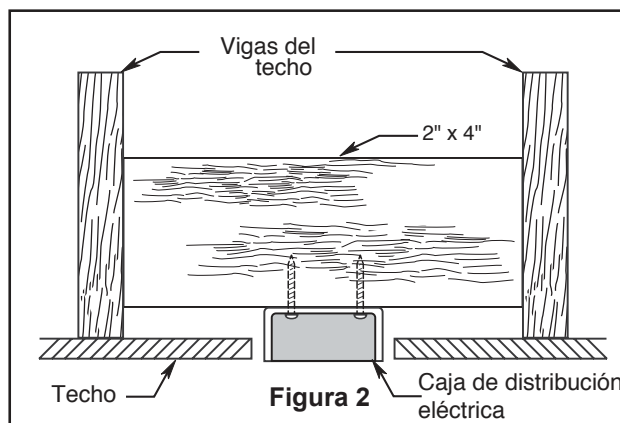
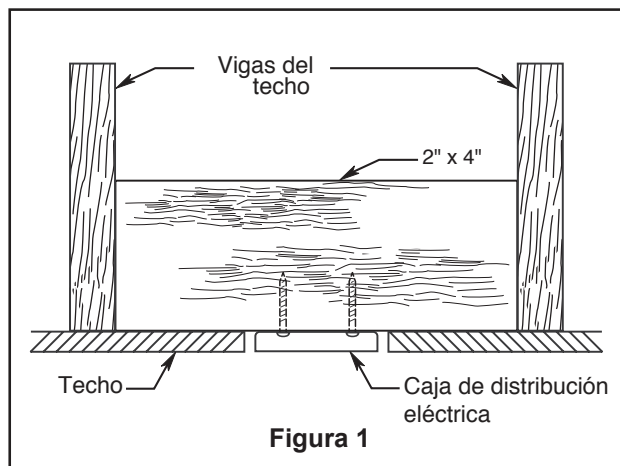
Su nuevo ventilador de techo requiere una línea de suministro eléctrico con conexión a tierra de 120 voltios de CA, 60 Hz, circuito de 15 amperios. La normativa eléctrica requiere el uso de una caja de distribución eléctrica para ventiladores que soporte el peso extra y el movimiento asociado a un ventilador de techo. La caja de distribución eléctrica será etiquetada como tal y soportará un ventilador de techo de un peso de hasta 70 libras. Dichas cajas varían en tipos y diseños. Asegúrese de que el tipo de su caja reúne los criterios para el ventilador que se está instalando. Las ilustraciones 1, 2 y 3 muestran las diferentes configuraciones estructurales que pueden ser utilizadas para dicha caja de distribución eléctrica.

### Uso de perfil bajo (Figura 1)

La caja lisa de 1/2 pulgada de profundidad será atornillada a una viga o bloque. Se utilizará si solo un cable va a ser introducido en la caja. También está disponible en una configuración de montaje endosado.

### Uso de perfil profundo (Figura 2)

La caja de 2-1/4 pulgada será atornillada a un bloque entre vigas que tenga suficiente espacio para colocar más de un cable.



## Requisitos eléctricos y estructurales (cont.)

### Uso del soporte (Figura 3)

Conectado a una caja de distribución eléctrica, este colgador sirve para abarcar el espacio entre dos vigas y ocupar el lugar de bloqueo de la madera.

#### **⚠ ADVERTENCIA**

Para reducir el riesgo de incendios, descargas eléctricas o lesiones personales, fije el ventilador a la caja de distribución eléctrica marcada como aceptable para soporte de ventilador de 15,88kg (35lb). Utilice los tornillos suministrados con la caja de distribución eléctrica. La mayoría de las cajas de distribución eléctricas que comúnmente se utilizan como soporte de lámparas no son aptas para soporte de ventiladores y es posible que deban reemplazarse. Consulte a un electricista calificado si tiene dudas.

#### **⚠ AVERTISSEMENT**

Pour réduire le risque d'incendie, d'électrocution ou de blessure, montez sur une boîte de sortie indiquée comme étant acceptable pour supporter un ventilateur de 15,9 kg (35 livres) ou moins, et utilisez les vis de montage fournies avec la boîte de sortie. La plupart des boîtes de sortie communément utilisées pour supporter les luminaires ne sont pas acceptables pour supporter des ventilateurs et devraient être remplacées. Consultez un électricien qualifié en cas de doutes.

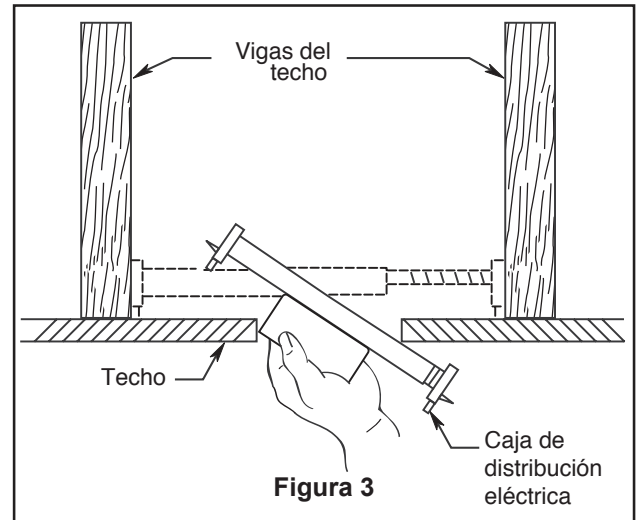
Si su ventilador va a sustituir una instalación de iluminación existente, desconecte la electricidad de la caja del fusible principal en esta ocasión y extraiga la unidad de iluminación.

#### **⚠ ADVERTENCIA**

Apagar el interruptor de pared no es suficiente. Para evitar posibles descargas eléctricas, asegúrese de que la electricidad esté desconectada en la caja de fusibles principal antes de realizar la instalación eléctrica. Toda instalación eléctrica debe cumplir con los códigos nacionales y locales y el ventilador de techo debe tener la conexión a tierra adecuada como forma de precaución ante posibles descargas eléctricas.

#### **⚠ AVERTISSEMENT**

Éteindre l'interrupteur mural ne suffit pas. Pour éviter tout risque d'électrocution, assurez-vous que l'alimentation électrique est coupée au niveau du boîtier à fusibles principal avant d'effectuer le câblage. Le câblage doit être entièrement conforme aux codes nationaux et locaux, et le ventilateur de plafond doit être correctement mis à la terre par mesure de précaution contre les risques d'électrocution.



#### **⚠ ADVERTENCIA**

A fin de evitar incendios o descargas eléctricas, siga con cuidado todas las instrucciones de instalación eléctrica. Cualquier trabajo eléctrico que no se describa en estas instrucciones deberá ser realizado o aprobado por un electricista autorizado.

#### **⚠ AVERTISSEMENT**

Respectez attentivement toutes les instructions de câblage pour éviter tout incendie ou électrocution. Tout travail électrique non décrit dans ces instructions doit être fait ou approuvé par un électricien agréé.

#### **⚠ ADVERTENCIA**

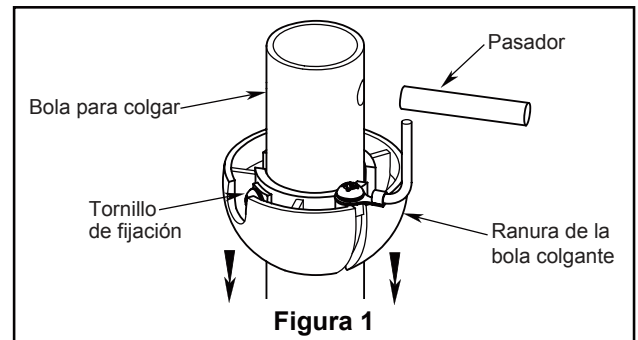
No utilice este ventilador con un controlador variable de pared (Rheostat) o un regulador de intensidad. Si lo hiciera podría dañar la unidad del mando a distancia del ventilador de techo.

#### **⚠ AVERTISSEMENT**

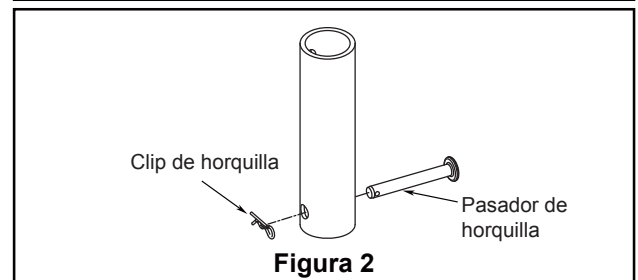
N'utilisez pas ce ventilateur avec un contrôleur mural (rhéostat) variable ou un gradateur. Cela pourrait endommager la télécommande du ventilateur de plafond.

## Cómo ensamblar el ventilador de techo

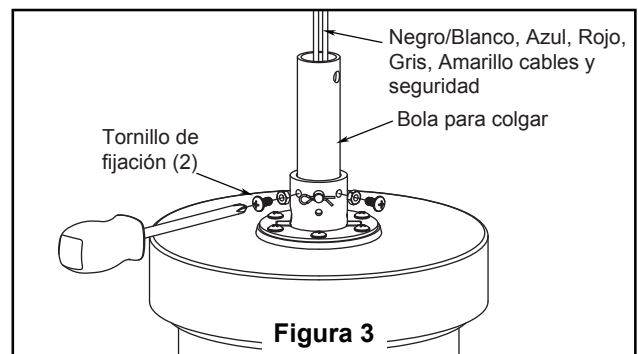
1. Extraiga la pieza de la bola colgante de la unidad de la bola colgante / varilla aflojando el tornillo de presión de la bola colgante hasta que la bola se libere de la varilla. Retire el pasador del barral y luego extraiga la semiesfera. Conserve el pasador y la semiesfera para su reinstalación en el Paso 6 (Figura 1).



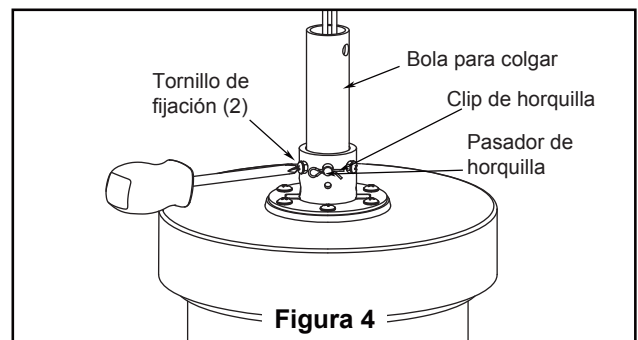
2. Retire el clip de horquilla y pasador de horquilla de la parte inferior de la bola para colgar. Retener el pasador y clip para la reinstalación en el paso 4. (Figura 2)



3. Afloje los dos tornillos de fijación del soporte del barral de soporte para techo a través de la varilla. Introduzca los cables de color negro/blanco, azul, rojo, gris, amarillo cables y cable de seguridad a través de la varilla. (Figura 3)

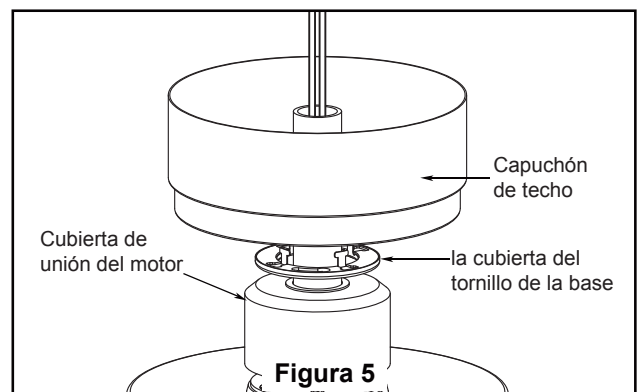


4. Coloque el soporte de la varilla y alinee los orificios de la clavija de horquilla en ambas piezas. Instale la clavija de horquilla y asegúrela con la pinza de horquilla. Fije los dos tornillos de presión y las tuercas de seguridad en el soporte de la varilla interior. (Figura 4)



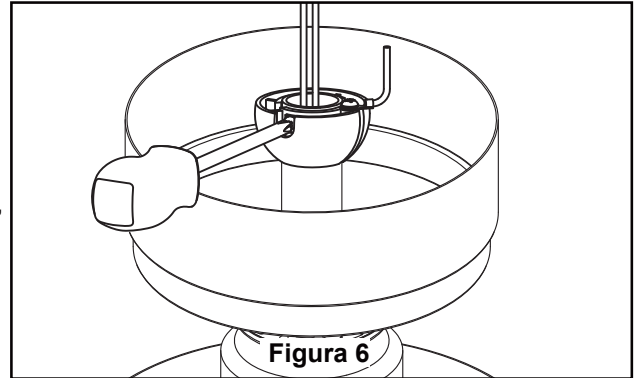
**⚠ ADVERTENCIA**  
Es fundamental que instale correctamente el pasador de horquilla en el soporte de la varilla, y que ajuste firmemente los tornillos de fijación y las tuercas. El incumplimiento de dicho paso podría hacer que el ventilador se caiga.

5. Pase los cables a través de la cubierta de unión del motor, la cubierta para el tornillo y el capuchón. (Figura 5)



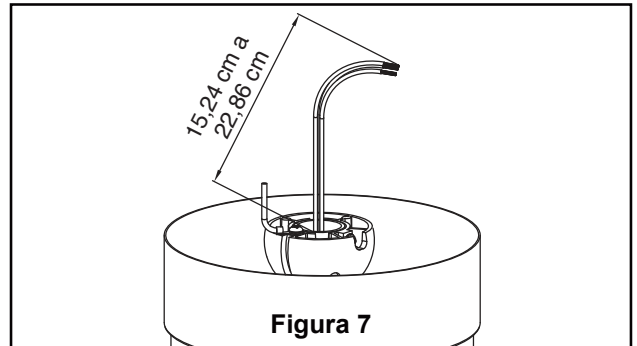
## Cómo ensamblar el ventilador de techo (cont.)

6. Vuelva a colocar la semiesfera en el barral como se indica a continuación. Pase los cables de negro/blanco, azul, rojo, gris, amarillo y cable de soporte para techo a través de la semiesfera. Pase el pasador a través de los dos orificios en el barral y alinee la semiesfera de modo que el pasador quede atrapado en la ranura de la parte superior de la misma. Empuje la semiesfera hacia arriba, bien ajustada contra el pasador. Ajuste firmemente el tornillo de fijación en la semiesfera. (Figura 6)



7. Corte el exceso de cable aproximadamente de 15 a 23 cm (6 a 9 pulgadas) por encima de la parte superior del barral. Pele 1,2 cm (1/2") del aislamiento en cada extremo del cable. (Figura 7)

**NOTA:** Se deben revisar todos los tornillos de fijación y volver a ajustarlos cuando sea necesario antes de realizar la instalación.



## Cómo colgar el ventilador de techo

### ⚠ ADVERTENCIA

Para evitar una posible descarga eléctrica, asegúrese de cortar la alimentación eléctrica de la caja de fusibles principal antes de colgar el ventilador. (Figura 1)

NOTA: Si no está seguro de si la caja de salida tiene conexión a tierra, pida consejo a un electricista certificado, ya que debe tener conexión a tierra para un funcionamiento seguro.

### ⚠ AVERTISSEMENT

Assurez-vous que l'alimentation électrique est coupée au niveau du boîtier à fusibles principal avant de suspendre le ventilateur afin d'éviter tout risque d'électrocution. (Figure 1)

### ⚠ ADVERTENCIA

La caja de distribución eléctrica debe estar bien asegurada y debe ser capaz de soportar una carga de al menos 15.9kg (35lb). El soporte de suspensión debe estar colocado firmemente contra la caja de distribución eléctrica. Si la caja de distribución eléctrica está empotrada, retire la tablaroca hasta que el soporte haga contacto con la caja. Si el soporte o la caja de distribución eléctrica no están bien asegurados, el ventilador podría oscilar o caerse.

### ⚠ AVERTISSEMENT

La boîte de sortie doit être solidement ancrée et acceptable pour supporter un ventilateur de 15,9 kg (35 livres) au moins. Le support de suspension doit reposer fermement contre la boîte de sortie. Si la boîte de sortie est encastrée, retirez le panneau de revêtement jusqu'à ce que le support entre en contact avec la boîte. Si le support et/ou la boîte ne sont pas solidement attachés, le ventilateur risque d'osciller ou même de tomber.

1. Perfore un orificio de 1/4" en la estructura del edificio para evitar grietas con la instalación del tornillo de intervalo. Utilice el tornillo de intervalo de 3/8"x 2" y la arandela plana para fijar el cable de seguridad a la viga del techo o a la estructura de madera. Dicho tornillo pasará a través de arandela plana, la presilla del cable de seguridad y se fijará en la estructura del edificio. (Figura 3)

2. Fije adecuadamente el soporte colgante a la caja de empalme del techo que sea aceptable para el soporte del techo.

**NOTA:** el cable de soporte para techo no se puede asegurar solamente a la caja de conexiones; se debe asegurar directamente a la viga de techo o miembro estructural con el tornillo de cabeza cuadrada de 3/8"x2" y la arandela plana. (Figura 3)

3. Asegúrese de que los cables de suministro eléctrico, incluido el cable de conexión a tierra del soporte de suspensión y el cable de seguridad, hayan atravesado el barral, entre el soporte de suspensión y la caja de conexiones, de modo que más tarde se pueda realizar la instalación eléctrica.

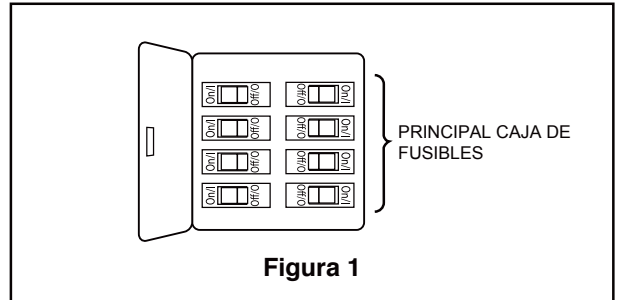


Figura 1

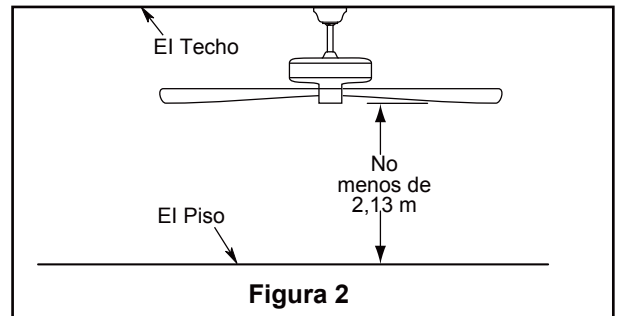


Figura 2

### ⚠ ADVERTENCIA

Debe colgar el ventilador a una distancia mínima de 2,13 m desde las aspas hasta el piso. (Figura 2)

### ⚠ AVERTISSEMENT

Le ventilateur doit être accroché de façon à ce que ses pales soient au moins à 7 pieds. (Figure 2)

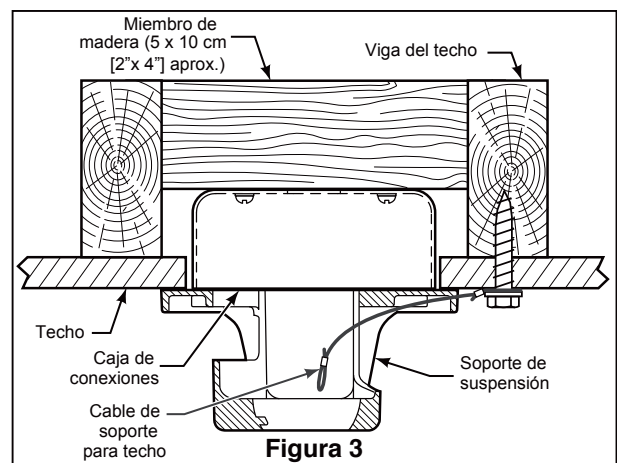


Figura 3

### ATTENTION

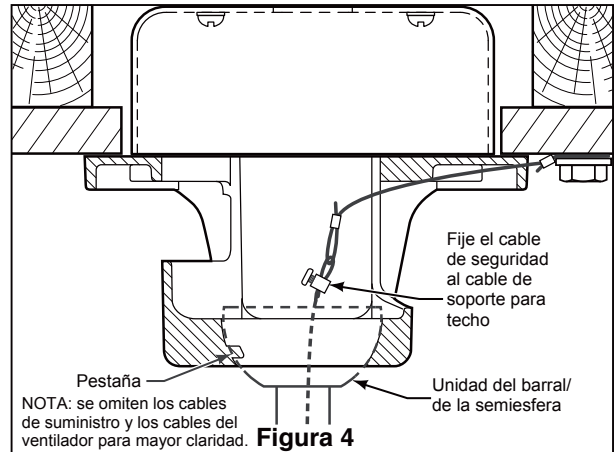
Do not connect fan blades until the fan is completely installed. Hanging fan with blades connected may result in damage to the fan blades.

### ADVERTENCIA

Ne raccordez pas les pales du ventilateur tant que le ventilateur n'est pas complètement installé. Suspendre un ventilateur avec des lames raccordées peut endommager les pales du ventilateur.

## Cómo colgar el ventilador de techo (cont.)

4. Levante cuidadosamente el ventilador y coloque el ensamble de la bola para colgar/varilla en la abrazadera para colgar que acaba de fijar a la caja de salida. Asegúrese de que la ranura de la bola esté alineada con la lengüeta de la abrazadera para colgar. (Figura 4)
5. Fije el cable de seguridad al cable de soporte para techo. Deslice la abrazadera de cables por el cable de seguridad (del ventilador). Pase el extremo del cable a través del aro que forma el cable de soporte para techo. Tire lo más posible del cable a través del aro. Inserte el extremo del cable en el orificio de la abrazadera y ajuste firmemente el tornillo. (Figura 4)



### **⚠ ADVERTENCIA**

Para evitar una posible descarga eléctrica, no apriete los cables entre el ensamble de la bola para colgar y la abrazadera para colgar.

### **⚠ AVERTISSEMENT**

Ne pincez pas les fils entre la tige de suspension descendante et le support de suspension évitez toute électrocution.

### **⚠ ADVERTENCIA**

Si no coloca la lengüeta en la ranura, podrían dañarse los cables eléctricos y podrían ocurrir incendios o descargas eléctricas.

### **⚠ AVERTISSEMENT**

Si vous n'installez pas la languette dans la rainure, vous risquez d'endommager les fils électriques et de causer éventuellement une décharge électrique ou un incendie.

#### Aditamentos utilizados

ABRAZADERA DEL CABLE DE SOPORTE DEL TECHO CON TORNILLO  X 1



# Cómo realizar la instalación eléctrica del ventilador de techo

**NOTA:** Si los cables de suministro o del ventilador son de colores diferentes que los indicados, contrate a un electricista calificado para que realice la instalación.

## ⚠ ADVERTENCIA

Para evitar una posible descarga eléctrica, asegúrese de cortar la alimentación eléctrica de la caja de fusibles principal antes de alambrado el ventilador. (Figura 1)

## ⚠ AVERTISSEMENT

Pour éviter tout risque d'électrocution, assurez-vous que l'alimentation électrique est coupée au niveau du boîtier à fusibles principal avant d'effectuer le câblage. (Figure 1)

**NOTA:** Si no está seguro de si la caja de salida tiene conexión a tierra, pida consejo a un electricista certificado, ya que debe tener conexión a tierra para un funcionamiento seguro.

**PRECAUCIÓN:** UNA CONEXIÓN INCORRECTA DEL CABLE PODRÍA DAÑAR ESTE RECEPTOR.

**ATTENTION:** UNE CONNEXION DE FIL INCORRECTE PEUT ENDOMMAGER CE RECEPTEUR.

1. Deslice el receptor en el soporte del colgador se muestra en la Figura 2.
2. Realice las conexiones de cables al bloque del terminal como se muestra en la Figura 3.

## ⚠ ADVERTENCIA

Verifique que todas las conexiones estén ajustadas, incluida la conexión a tierra, y que no haya conductores desnudos visibles en los conectores. No opere el ventilador hasta que las aspas estén instaladas. Podría ocasionar ruidos y daños al motor.

## ⚠ AVERTISSEMENT

Vérifiez que tous les raccordements sont bien serrés, y compris la mise à la terre, et qu'aucun fil dénudé n'est visible au niveau des capuchons de connexion. Ne faites pas fonctionner le ventilateur avant d'avoir installé les pales. Du bruit et des dommages au moteur pourraient en résulter

3. Cuando haya realizado la conexión, fije el dosel para cubrir el receptor y el soporte colgante. Teniendo cuidado de no pillar los cables y ponga los cables blancos y verdes en un lado y los cables negros hacia el otro lado. Los cables deben ser colocados de forma extendida poniendo el conductor de la toma de tierra y el conductor de toma de tierra del equipo a un lado de la caja, colocando el conductor sin toma de tierra en el otro lado. (Figura 4)

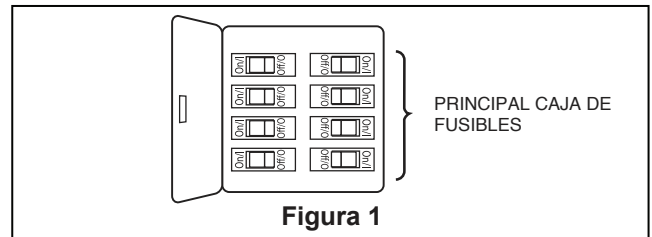


Figura 1

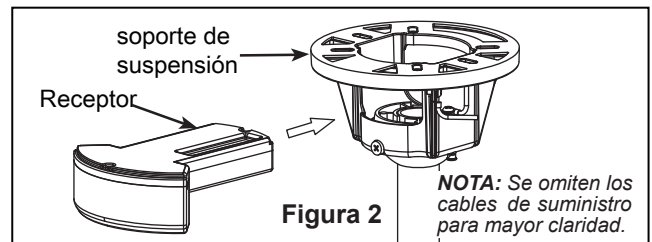


Figura 2

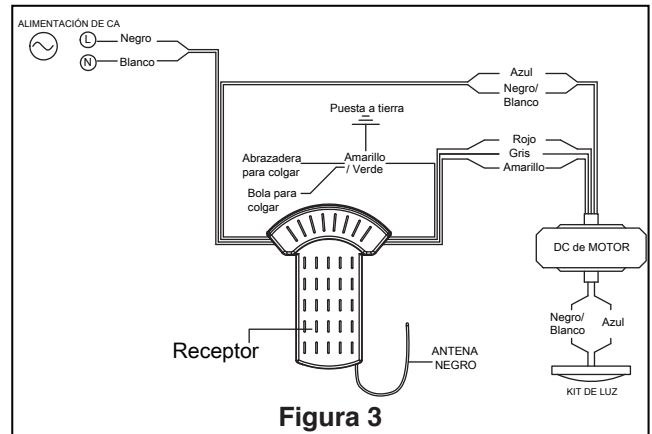


Figura 3

### Aditamentos utilizados:

Conectores de cable x 8

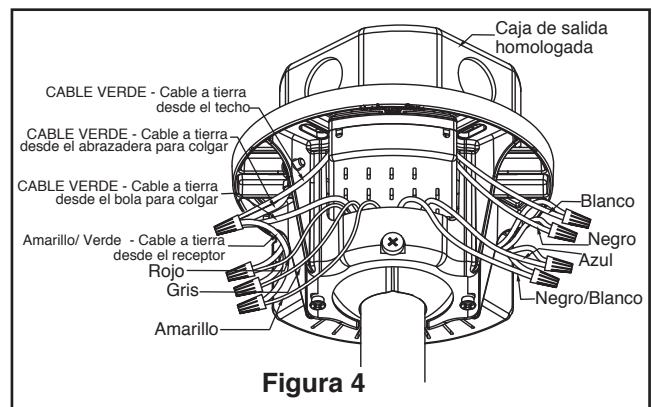


Figura 4

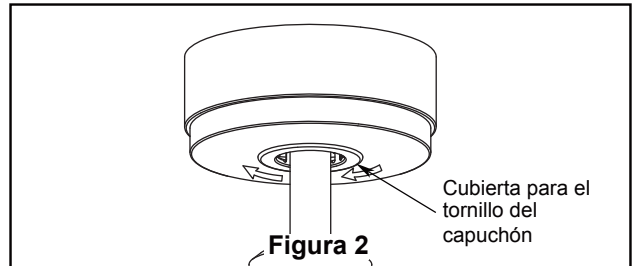
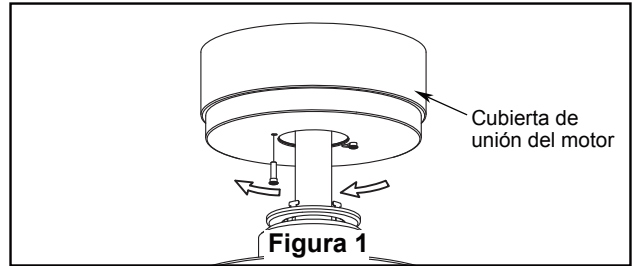
## Cómo instalar la carcasa de la cubierta

**NOTA:** Este paso se debe realizar luego de completar la completada instalación eléctrica necesaria.

1. Extraiga una de los tornillos de hombro en el soporte del gancho. Afloje el segundo tornillo de hombro sin extraiga completamente. Instale la cubierta rotando la ranura clave en la cubierta sobre el tornillo de hombro del soporte del gancho. Fije el tornillo de hombro. Instale adecuadamente y fije el segundo tornillo de hombro que fue anteriormente guardado. (Figura 1)

### **⚠ ADVERTENCIA**

Para evitar posibles incendios o descargas eléctricas, asegúrese de que los cables eléctricos vuelva hacia arriba y completamente empujarse con cuidado en el cuadro de junta y de que no estén aprisio el techo.



2. Coloque y ajuste firmemente la cubierta para el tornillo de la base sobre los tornillos de reborde de la abrazadera para colgar mediante el mecanismo de seguro por giro del chavetero. (Figura 2)

## Cómo ensamblar las aspas del ventilador de techo

1. Apoye el lado liso del soporte de aspas sobre una superficie plana, con la parte interior del soporte mirando hacia arriba. Este es el lado que tiene los pilotes roscados y la base inclinada. Coloque las aspas sobre sus soportes con los postes roscados que se muestran. Asegúrese de que el borde inferior del asa esté completamente asentado sobre el brazo del asa. Coloque la cubierta del soporte de aspas sobre el asa, y alinee los orificios sobre los pilotes roscados. Con un destornillador Phillips, enrosque ambos tornillos en los pilotes pero no los ajuste por completo. Antes de ajustarlos por completo, alinee la línea central del soporte de aspas con el centro del extremo del asa. Ajuste ambos tornillos para asegurar el asa. (Figura 1)

### **PRECAUCIÓN**

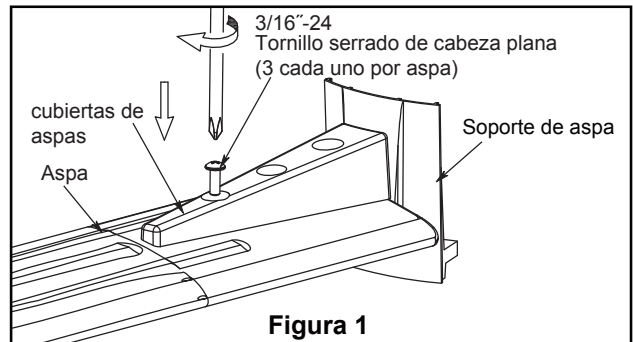
No conecte las aspas hasta que el ventilador esté totalmente instalado. Instalar el ventilador con las aspas colocadas podría ocasionar daños en las mismas.

2. Fije los soportes de aspas al volante mediante los tornillos de 1/4"-20 el puesto en la necesidad de soporte de la asa para alinear el agujero entre el 1/4"-20 a través de los orificios ubicados al costado del volante. (Figura 2)

**NOTA:** Revise periódicamente las piezas de los soportes de las aspas y vuelva a ajustarlas si fuese necesario.

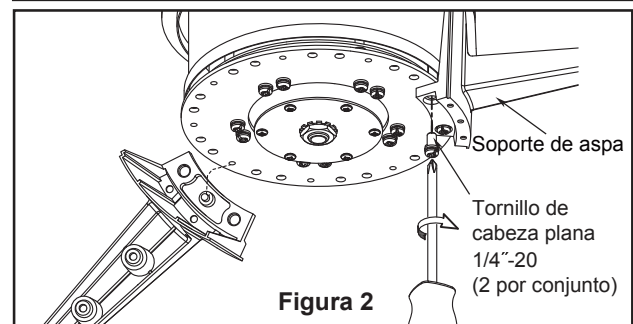
### **⚠ ADVERTENCIA**

Para reducir el riesgo de lesiones personales, no doble los soportes de aspas al instalarlos, balancear las aspas o limpiar el ventilador. No coloque objetos extraños entre las aspas del ventilador en funcionamiento.



#### Aditamentos utilizados:

Tornillo serrado de cabeza plana 3/16"-24 x 27



#### Aditamentos utilizados:

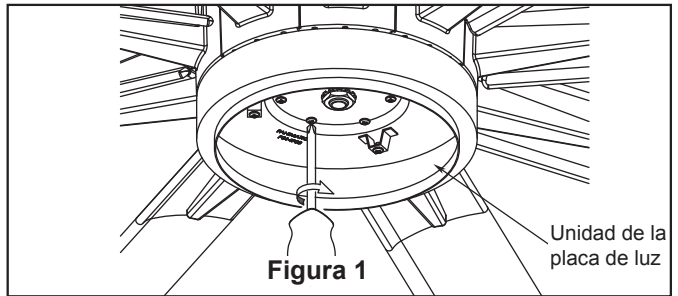
Tornillo de cabeza plana de 1/4"-20 x 18

### **PRECAUCIÓN**

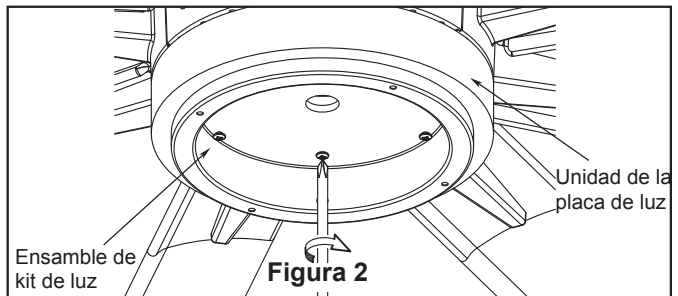
Para reducir el riesgo de descarga eléctrica, desconecte el circuito de alimentación eléctrica al ventilador antes de instalar juego de luces.

## Cómo ensamblar su el kit de iluminación o la tapa

1. Extraiga los seis tornillos del soporte ubicado en la parte inferior de la unidad del motor. Instale la unidad de la placa de luz en al soporte utilizando los tornillos retirados previamente. (Figura 1)



2. Extraiga los tres tornillos de la unidad de la placa de luz. Instale la ensamble de kit de luz en al unidad de la placa de luz utilizando los tornillos retirados previamente. (Figura 2)



3. (Opción A – Para su uso con el kit de iluminación) Extraiga los tres tornillos de la ensamble de kit de luz y retener para el Paso 4. Instale el conector de 2 clavijas desde unidad de luz LED conexión a la unidad del motor. (Figura 3A)

### PRECAUCIÓN

A fin de reducir el riesgo descargas eléctricas, desconecte el circuito de suministro eléctrico al ventilador antes de instalar el kit de iluminación.

2. (Opción B – Para su uso con la tapa de acero) Si desea instalar la tapa de acero y no el conjunto de luz. Monte el la tapa de acero en la kit de luz del interruptor girándolo en el sentido de las agujas del reloj. No apriete demasiado. (Figura 3B)

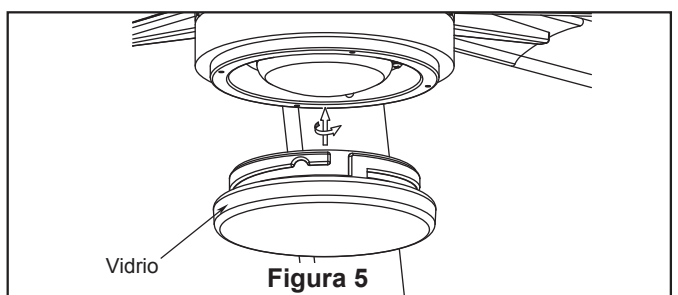
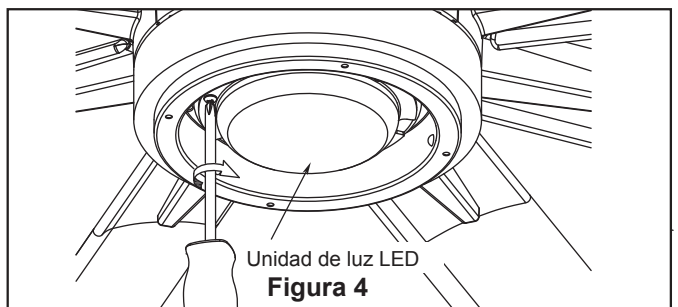
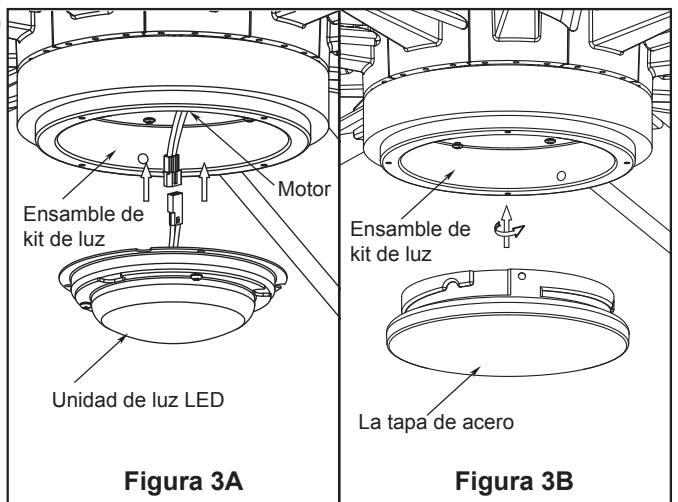
**NOTA:** Si ha instalado su ventilador con la tapa de acero, sátese los pasos 4 a 5.

4. Instale la unidad de luz LED utilizando utilizar los tornillos que retiró en el paso 3A. (Figura 4)

### PRECAUCIÓN

La fuente de luz está diseñado para esta aplicación específica y puede recalentarse si reparado por personal no capacitado. Si se requiere ningún tipo de servicio, el producto debe ser devuelto a un centro de servicio autorizado para su revisión o reparación.

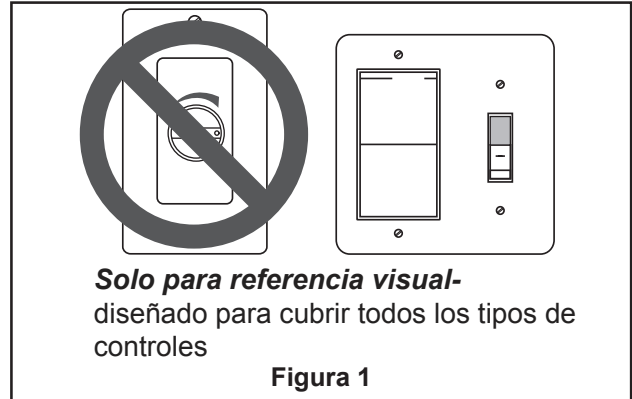
5. Asegure el vidrio en la ensamble de kit de luz girándolo en el sentido de las agujas del reloj y sin apretar demasiado. (Figura 5)



## Cómo utilizar su ventilador de techo

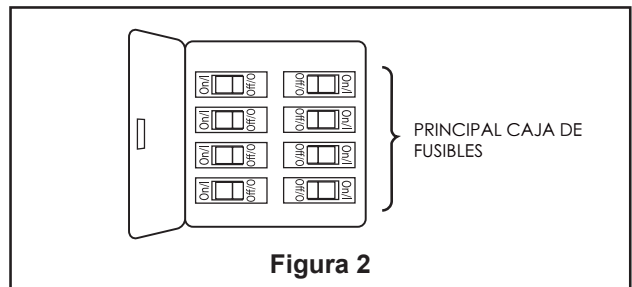
### 1. IMPORTANTE:

El uso de un regulador de la intensidad completa (no incluido) para controlar la velocidad del ventilador dañará el dispositivo. Para reducir el riesgo de incendio o descarga eléctrica, no utilice dicho regulador para controlar la velocidad del ventilador. (Figura 1)



2. Restaure la fuente de alimentación de la toma de corriente enciendiéndola al fusible principal. (Figura 2)

**NOTA:** El receptor del sistema de los controladores se caracteriza por la función de aprendizaje automático. No hay interruptores de frecuencia en la unidad del receptor. El receptor ya que se escaneará automáticamente la frecuencia desde el mando a distancia si se realiza cualquier cambio. Los ajustes de frecuencia deben modificarse solo en el caso de interferencia o si múltiples ventiladores con el mismo sistema de control son instalados en la misma estructura.



3. Para que el ventilador sea funcional, instale las pilas (incluidas) de 3V CR2032 en el transmisor del mando a distancia. Mientras el ventilador esté apagado. A continuación, siga el proceso de fijación remota de código. Si no se utiliza el ventilador durante un largo periodo de tiempo, extraiga la batería para evitar cualquier daño al transmisor. Almacene el mando a distancia en un lugar alejado del calor o la humedad excesiva. (Figura 3)

4. Si tiene varios ventiladores y desea programarlos todos en un único mando a distancia, conecte todos los ventiladores a su fuente de alimentación en el techo y siga el Paso 1 del proceso de configuración del mando a distancia. Cada ventilador necesita estar a menos de 30 pies de distancia del mando al que desea programarlo. Tenga en cuenta que el interruptor de pared que controla la fuente de alimentación de su(s) ventilador(es) debería estar en la posición Apagado hasta que esté listo para programar su(s) mando(s) a distancia.

**⚠ ADVERTENCIA**

No utilice este ventilador con un controlador variable de pared (Rheostat) o un regulador de intensidad. Si lo hiciera podría dañar la unidad del mando a distancia del ventilador de techo.

**⚠ AVERTISSEMENT**

N'utilisez pas ce ventilateur avec un contrôleur mural (rhéostat) variable ou un gradateur. Cela pourrait endommager la télécommande du ventilateur de plafond.

**⚠ ADVERTENCIA**

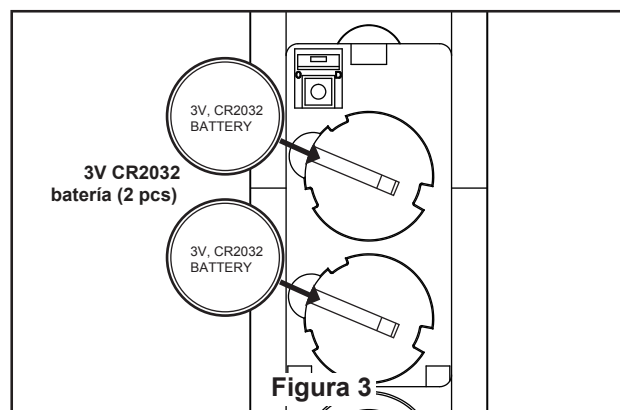
Compruebe que todas las conexiones realizadas correctamente, incluyendo la toma de tierra, y que no se visualizan ningún cable pelado en los conectores de cables, con la excepción del cable de toma de tierra. No utilice el ventilador hasta que las palas estén colocadas en su lugar, ya que de lo contrario se podría causar ruido y daños.

**⚠ AVERTISSEMENT**

Vérifiez que tous les raccordements sont bien serrés, y compris la mise à la terre, et qu'aucun fil dénudé n'est visible au niveau des capuchons de connexion, à l'exception du fil de mise à la terre. Ne faites pas fonctionner le ventilateur avant d'avoir installé les pales. Du bruit et des dommages au ventilateur pourraient en résulter.

## Cómo utilizar su ventilador de techo (Cont.)

5. Si tiene múltiples ventiladores y desea programar cada uno con mandos a distancia diferentes, conecte un ventilador cada vez a su fuente de alimentación en el techo y siga el Paso 1 del siguiente proceso de configuración de mando a distancia. Antes de conectar el segundo ventilador a su fuente de alimentación de techo, debe desconectar el primer ventilador que fue conectado y programado de la fuente de alimentación del techo. Repite estos pasos para cada uno de los ventiladores que desea programar a un mando a distancia diferente. Tenga en cuenta que el interruptor de pared que controla el encendido de su(s) ventilador(es) debería estar en la posición apagado hasta que esté preparado para programar su(s) mando(s) a distancia.



6. **Configuración del mando a distancia y proceso de configuración de la velocidad (RPM): (Figura 4)**

1) Tras la instalación y el cableado de la unidad, vuelva a suministrar electricidad a su ventilador asegurándose de que el disyuntor y el interruptor de pared que controlan la fuente de alimentación estén en la posición de encendido. Pulse y mantenga pulsado el botón "SET" del interior del compartimento de las pilas del mando a distancia durante 1-3 segundos.

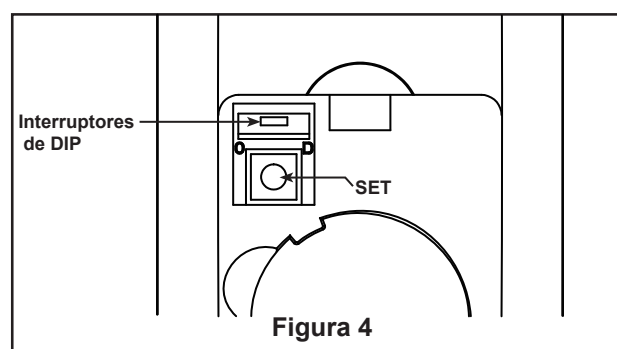
2) Debe pulsar el botón "SET" en menos de 30 segundos después de haber suministrado la electricidad al ventilador.

3) Cuando haya restaurado la electricidad a su ventilador a través del disyuntor y del interruptor de pared, NO pulse ningún botón en el mando a distancia hasta que haya pulsado el botón "SET", ya que de lo contrario el ventilador perderá el proceso de aprendizaje.

4) Si pulse algún botón en el mando a distancia antes de pulsar el botón "SET", coloque de nuevo el interruptor de la pared que controla el encendido del ventilador en la posición de apagado, e inicie el proceso desde el Paso 1.

5) Cuando pulse el botón "SET", el ventilador emitirá dos sonidos musicales y la luz parpadeará dos veces y comenzará a funcionar. Así, habrá terminado el proceso de configuración del mando a distancia.












6) El ventilador ya está preparado para su uso normal.



## Cómo utilizar su ventilador de techo (Cont.)

### 7. Funciones del control remoto: (Figura 5)

LOW  HI

- Luz LED del indicador: Velocidad del ventilador e indicador atenuante de la iluminación
-  Botón: Toque este botón apaga el ventilador. Mantenga pulsado el botón durante 5 segundos para encender o apagarlo el zumbador.
- Velocidad del ventilado:
  - △ Enciende el ventilador y aumenta la velocidad.
  - ▽ Enciende el ventilador y disminuye la velocidad.
-  Botón de la lámpara: Enciende o apaga la luz
  - △ Aumenta el nivel de salida de la iluminación.
  - ▽ Disminuye el nivel de salida de la iluminación.
- Temporizador de apagado automático:
  -  El ventilador se apagará después de 1 horas.
  -  El ventilador se apagará después de 3 horas.
  -  El ventilador se apagará después de 6 horas.
-  Lejos de casa: Toque este botón, la luz parpadeará dos veces para indicarle que se habrá completado el proceso de configuración, el ventilador se apagará y la luz se encenderá y apagará aleatoriamente mientras esté lejos, pulse ningún botón(es) cancelar la función.
-  Air Fresco: La velocidad del ventilador se modulará para simular la brisa natural.
-  Salida segura: Toque este botón, la luz parpadeará dos veces para indicarle que se habrá completado el proceso de configuración, la luz y el ventilador se apagará después de 1 minuto, pulse ningún botón(es) cancelar la función.
-  Botón de reversa:
  -  Verano- El ventilador funciona en el sentido contrario a las agujas del reloj. El flujo del aire ofrece una brisa refrigerante hacia abajo.
  -  Invierno- El ventilador funciona en el sentido de las agujas del reloj. El flujo del aire fuerza el aire caliente hacia abajo sin una brisa visible.

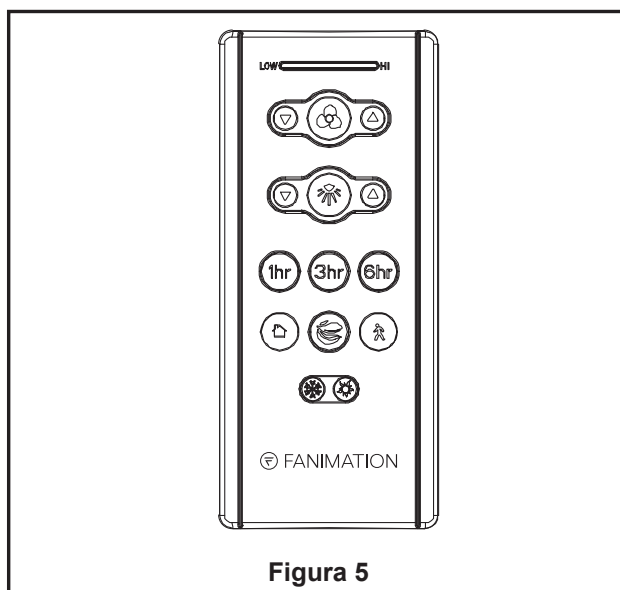


Figura 5

- ### 8. Posición de bloqueo: El motor CC posee una función de seguridad integrada para evitar la obstrucción de las palas durante el funcionamiento del ventilador. Si algo obstruyera las palas del ventilador, el motor dejaría de funcionar tras 60 segundos de interrupción. Extraiga los obstáculos antes de restaurarlo. (Figura 6)

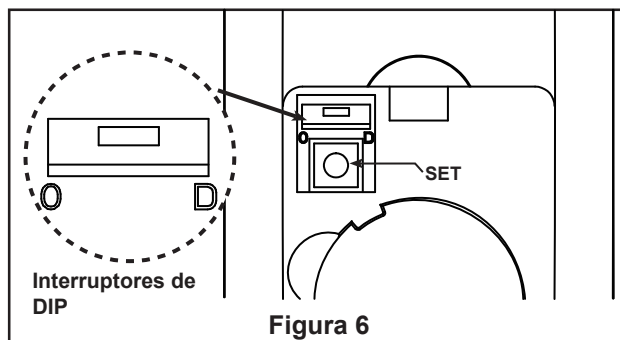


Figura 6

## Cómo utilizar su ventilador de techo (Cont.)

□ **9.** Si ha encontrado un problema durante el proceso de configuración, puede seguir el siguiente procedimiento para limpiar el código de memoria de su mando a distancia: (Figura 7)

**1)** Ponga el interruptor de pared que controla el encendido del ventilador en la posición de apagado, o ponga el disyuntor que controla el encendido del ventilador en la posición de apagado.

**2)** Ponga el interruptor de pared que controla el encendido del ventilador en la posición de encendido, o ponga el disyuntor que controla el encendido del ventilador en la posición de encendido.

**3)** Pulse el botón "SET" del interior del compartimento de pilas del mando a distancia EN MENOS DE 30 segundos después de haber suministrado la electricidad al ventilador.

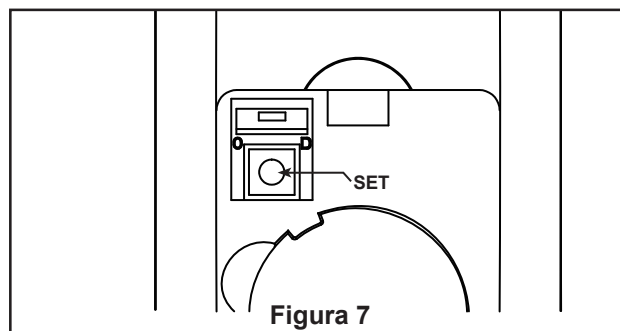
**4)** Al pulsar el botón "SET" durante 2 segundos indicará que el ventilador está programado al mando a distancia que tiene en la mano.

**5)** El ventilador emitirá dos pitidos y la luz se encenderá y apagará dos veces. Si no hay luz, el ventilador sólo emitirá un sonido – Esto indica que el ventilador ha aprendido el código del mando a distancia que está sosteniendo.

**6)** Al pulsar el botón "SET" durante más de 5 segundos iniciará el proceso de eliminación de código. El ventilador emitirá dos pitidos y la luz se encenderá y apagará dos veces y si el ventilador tiene luz.

**7)** Esto indicará que los ventiladores y los mandos a distancia han eliminado sus códigos de memoria.

**8)** Tenga en cuenta que para eliminar los códigos de memoria, debe mantener pulsado el botón SET durante más de 5 segundos.



## Configuración de la App fanSync (opcional)

Visite la App Store de Apple o el Play Store de Google por [www.fanimation.com/fansync](http://www.fanimation.com/fansync) para descargarse de forma gratuita la app fanSync disponible.

**IMPORTANTE:** Bluetooth debe ser activado en sus ajustes del dispositivo inteligente.

1. Abra la app fanSync y toque el nuevo ventilador para iniciar la instalación. (Figura 1)

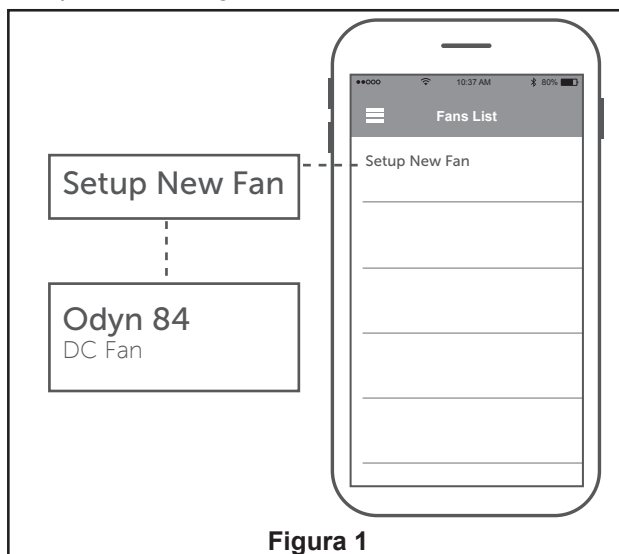


Figura 1

2. Pulse Guardar y su ventilador estará listo para ser utilizado. (Figura 2)

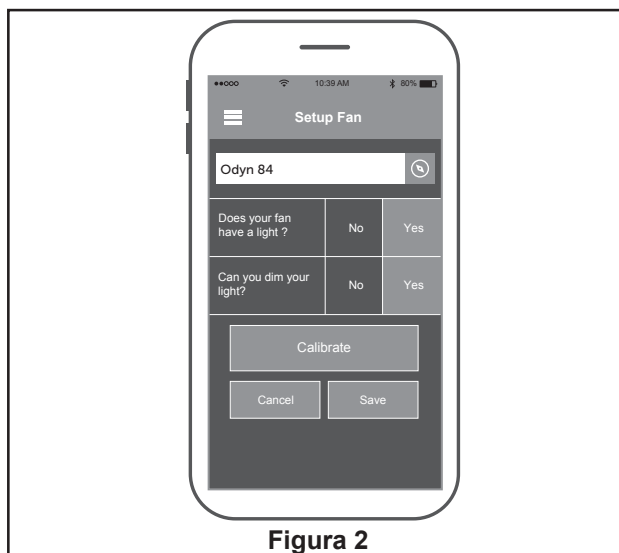


Figura 2

3. Las funciones del ventilador se muestran. (Figura 3)

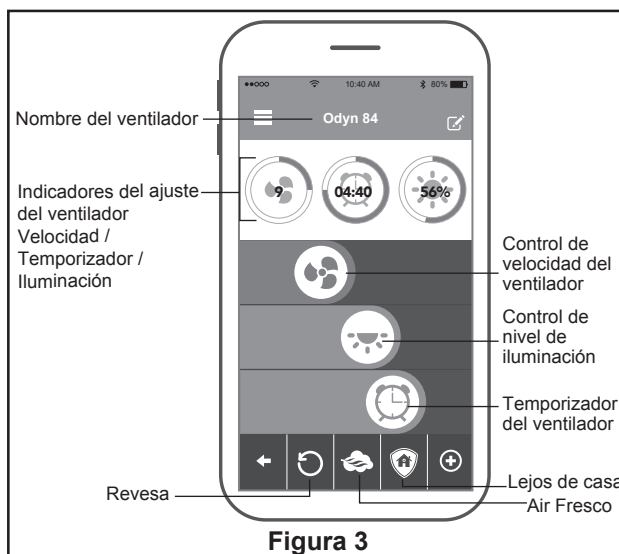


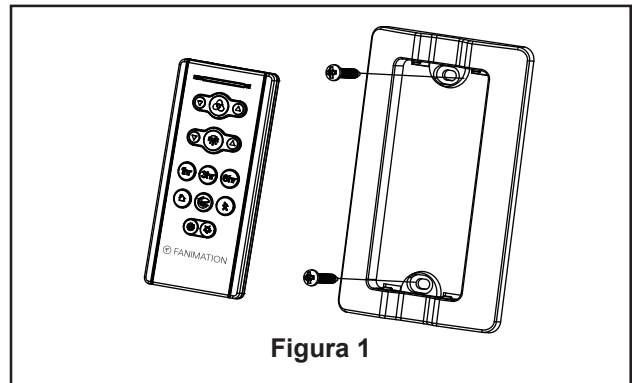
Figura 3



---

## Cómo instalar su mando a distancia

1. **Instalación de la placa de la pared:** (Figura 1)  
Fije la placa de la pared usando los dos tornillos suministrados.



---

## Mantenimiento

El único mantenimiento necesario para el ventilador de techo es una limpieza periódica.

Al llevar a cabo la limpieza, use sólo un cepillo suave o un paño sin pelusas, para evitar rayar el acabado.

No se requieren agentes abrasivos de limpieza; los mismos deben evitarse para prevenir daños en el acabado.

### PRECAUCIÓN

No utilice solventes para limpiar el ventilador de techo. Podrían dañar el motor o las aspas y ocasionar posibles descargas eléctricas.

### ATTENTION

N'utilisez pas d'eau pour nettoyer votre ventilateur de plafond. Cela pourrait endommager le moteur ou la finition, et créer une possibilité d'électrocution.

---

## Limpieza de las aspas

Se recomienda limpiar el polvo de las aspas periódicamente. Lo mejor es utilizar un plumero.

Evite usar agua, productos de limpieza o trapos ásperos, que pueden combar o dañar las aspas.

## Solución de problemas

### **⚠ ADVERTENCIA**

Para su propia seguridad, desconecte la electricidad de la caja de fusibles o disyuntor antes de solucionar problemas en su ventilador.

### **⚠ AVERTISSEMENT**

Pour votre sécurité, placez le coffret à fusibles ou le disjoncteur hors tension avant de tenter d'identifier tout problème pouvant affecter votre ventilateur.

<b>Problema</b>	<b>Causa posible</b>	<b>Solución sugerida</b>
<b>1. EL VENTILADOR NO ARRANCA</b>	<ol style="list-style-type: none"> <li>1. El fusible o el disyuntor están fundidos.</li> <li>2. Las conexiones eléctricas del ventilador o del interruptor en la caja del interruptor están flojas.</li> <li>3. Pila agotada del mando a distancia.</li> </ol>	<ol style="list-style-type: none"> <li>1. Controle los fusibles del circuito principal y derivado o los disyuntores.</li> <li>2. Controle las conexiones eléctricas del ventilador y del interruptor en las cajas de los interruptores. <b>PRECAUCIÓN: ¡Asegúrese de que el suministro principal de electricidad esté desconectado!</b> <b>ATTENTION: Assurez-vous que l'alimentation électrique principale est coupée !</b></li> <li>3. Sustituir con una pila nueva.</li> </ol>
<b>2. EL VENTILADOR HACE RUIDO</b>	<ol style="list-style-type: none"> <li>1. Las aspas no están sujetas al ventilador</li> <li>2. Hay tornillos flojos en la caja del motor.</li> <li>3. Los tornillos que aseguran los soportes de las aspas al buje del motor están flojos.</li> <li>4. Los conectores de cables dentro de la caja hacen ruido.</li> <li>5. Ruido del motor provocado por el control de velocidad de estado sólido variable.</li> <li>6. Los tornillos que sujetan las aspas a los soportes de aspas están flojos.</li> </ol>	<ol style="list-style-type: none"> <li>1. Ajuste las aspas al ventilador antes de ponerlo en funcionamiento.</li> <li>2. Asegúrese de que todos los tornillos de la caja del motor estén bien ajustados (pero no en exceso).</li> <li>3. Asegúrese de que los tornillos que fijan los soportes de aspas al buje del motor del ventilador estén bien ajustados.</li> <li>4. Asegúrese de que los conectores de cables en la caja del interruptor no produzcan ruido al rozar unos con otros o al rozar la pared interior de la caja del interruptor. <b>PRECAUCIÓN: ¡Asegúrese de que el suministro principal de electricidad esté desconectado!</b> <b>ATTENTION: Assurez-vous que l'alimentation électrique principale est coupée !</b></li> <li>5. Algunos motores de ventilador son sensibles a las señales de los controles de velocidad de estado sólido variables. Los controles de estado sólido no son recomendables. Escoja un método de control alternativo.</li> <li>6. Ajuste bien los tornillos.</li> </ol>
<b>3. EL VENTILADOR OSCILA EN EXCESO</b>	<ol style="list-style-type: none"> <li>1. El tornillo de fijación y la tuerca del soporte de barral están flojos.</li> <li>2. El tornillo de fijación en la unidad del barral/de la semiesfera está flojo.</li> <li>3. Los tornillos que aseguran los soportes de las aspas al buje del motor están flojos.</li> <li>4. Los soportes de aspas no están colocados correctamente.</li> <li>5. El soporte de suspensión o la caja de distribución eléctrica del techo no están bien asegurados.</li> <li>6. Las aspas del ventilador están desbalanceadas.</li> </ol>	<ol style="list-style-type: none"> <li>1. Ajuste bien los dos tornillos de fijación y las tuercas en el soporte de barral.</li> <li>2. Ajuste el tornillo de fijación en la unidad del barral/de la semiesfera.</li> <li>3. Asegúrese de que los tornillos que fijan los soportes de aspas al buje del motor del ventilador estén bien ajustados.</li> <li>4. Asegúrese de que los soportes de las aspas del ventilador estén colocados firmemente y de manera uniforme en relación con la superficie de la caja del motor. Si los soportes están mal colocados, afloje los tornillos y vuelva a ajustarlos.</li> <li>5. Ajuste los tornillos del soporte de suspensión de la caja de distribución eléctrica y asegúrela.</li> <li>6. Equilibrar las palas utilizando el kit de equilibrado ofrecido en la bolsa de hardware.</li> </ol>
<b>4. NO HAY SUFICIENTE MOVIMIENTO DE AIRE</b>		<ol style="list-style-type: none"> <li>1. Si es posible, considere el uso de un barral más largo. Por ejemplo (no incluido, usted puede comprar el tiempo de la vara hacia abajo <a href="http://fanimation.com">fanimation.com</a>)</li> </ol>

## Lista de piezas

### Modelos N° FPD8159\*\*

N.º de Ref.	Descripción	Pieza # N.º
1	Unidad del soporte de suspensión	AP255BL
2	Unidad del barral/de la semiesfera	ADR1SS-6**
3	Capuchón de techo	PG164**
4	Cubierta para el tornillo del capuchón	AP260**
5	Cubierta de unión del motor	APPAC1410**
6	Unidad del motor	AMA8159**
7	Juego de cubiertas de aspas	AP814802**
8	Juego de aspas	AP814809**
9	Juego de soporte de aspas	AP814812**
10	Ensamble de la placa de iluminación	AP814903**
11	Ensamble de kit de luz	AP814906**
12	Unidad de luz LED	AP814908D3090
13	Tapa de acero	P814905**
14	Mano a distancia	TR205
15	Unidad del receptor	RECAN205SBT-8159
16	Bolsa de accesorios que contiene:	HDWFDP8159**
—	Kit de balanceo	—
—	Conectores de cables (4)	—
—	Tornillos para cajas de conexiones, acero inoxidable (2)	—
—	Arandela plana, acero inoxidable (2)	—
	Bolsa de accesorios para el montaje de aspas que contiene:	
—	Tornillo serrado de cabeza plana de 3/16"-24 (28)	—
	Bolsa de accesorios para el montaje de los soportes de aspas que contiene:	
—	Tornillo de cabeza planad de 1/4"-20 (19)	—
—	Kit de cables de seguridad	—

*\*\*Inserte los CÓDIGOS DE ACABADO (consulte el número de modelo del ventilador que se encuentra en el soporte de barral)*

**Antes de desechar los materiales de embalaje, asegúrese de haber extraído todas las piezas**

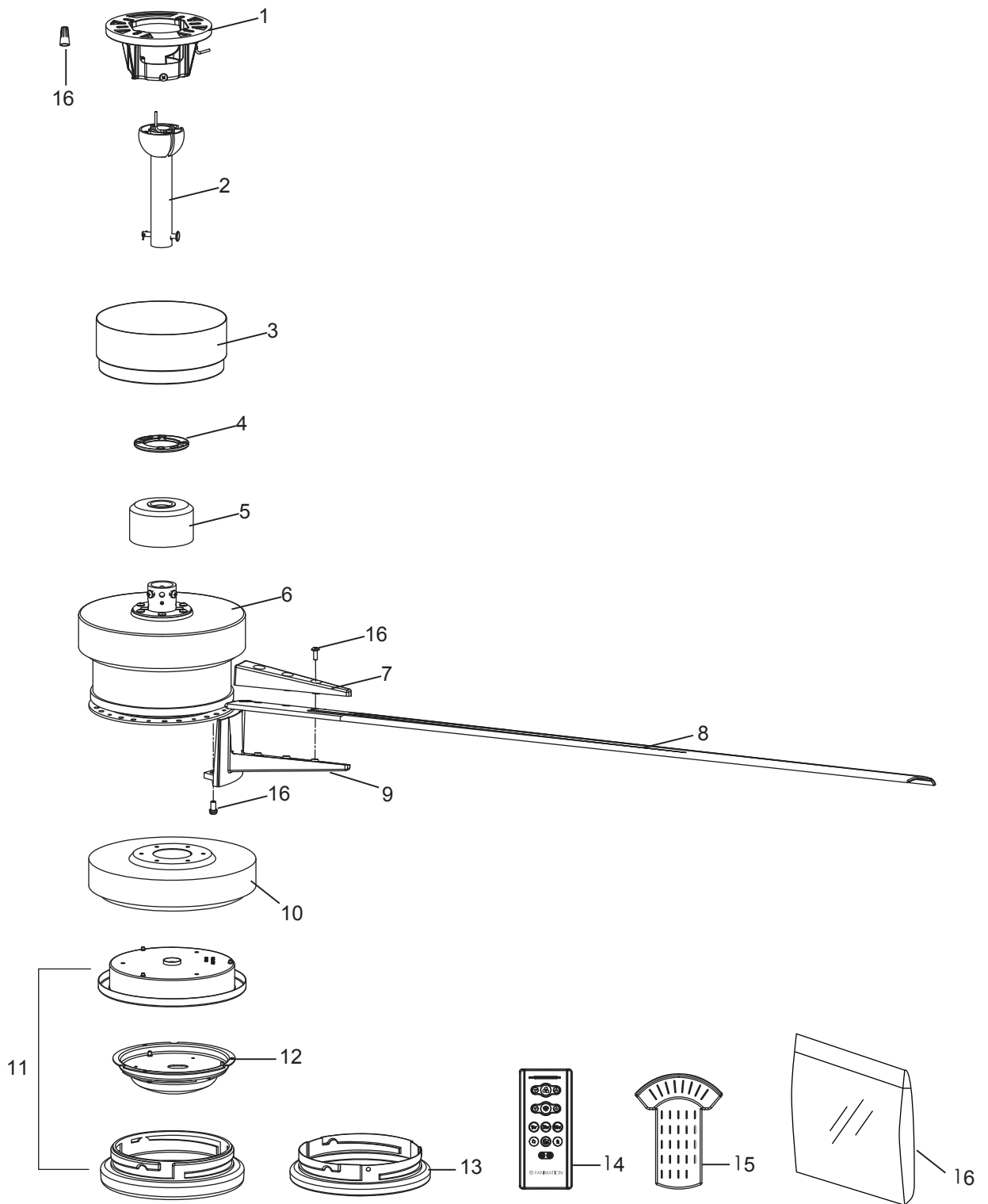
#### Cómo hacer un pedido de piezas

Al hacer un pedido de piezas de repuesto, proporcione siempre la siguiente información:

- Número de pieza
- Descripción de la pieza
- Número de modelo del ventilador

Póngase en contacto con su tienda para obtener las piezas de repuesto.

**Odyn™ 84**  
**Modelo N.º FPD8159\*\***  
**Ilustración del despiece**



**Figura 1**

**NOTA:** La ilustración que se muestra no está hecha a escala y su configuración real o las terminaciones puede variar.





10983 Bennett Parkway  
Zionsville, IN 46077  
Llame sin cargo al (888) 567-2055  
FAX (866) 482-5215  
Desde fuera de los EE.UU., llame al (317) 733-4113  
Visite nuestro sitio Web en [www.fanimation.com](http://www.fanimation.com)

2018/01 V.01  
Copyright 2018 Fanimation