

# Edendale socket mounted globe shades

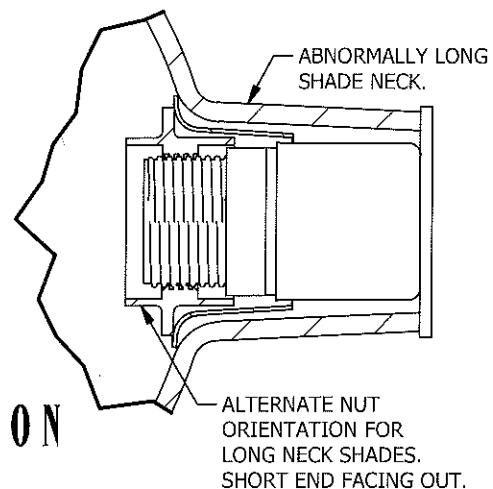
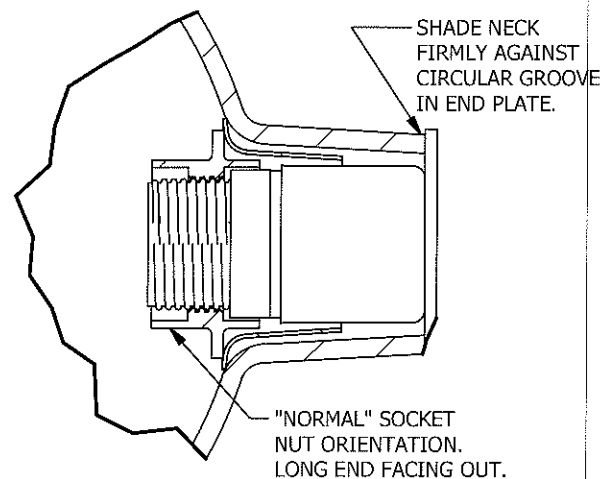
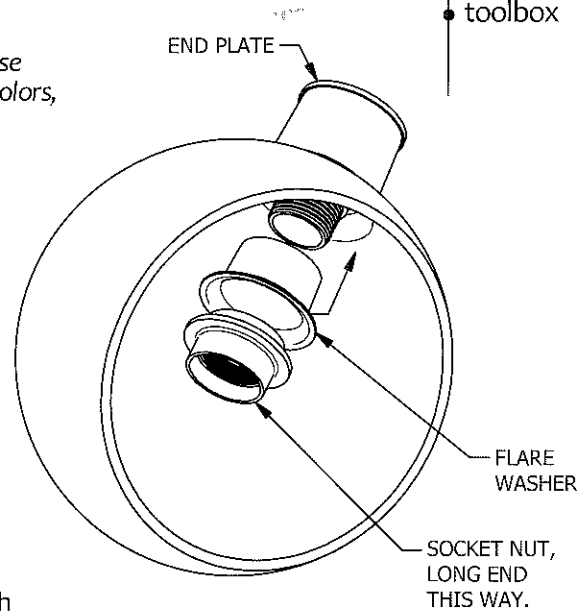
skill level ● Easy

● toolbox

## installation instructions

*This shade is intended to be held snugly in place at all times. These instructions apply to all Edendale family globe-style shades: All colors, with either angle cut or straight cut shapes.*

1. The globe shade on your Edendale series light fixture is intended to be held securely by the end plate and socket nut.
2. Locate the trumpet shaped flare washer supplied with the fixture and insert it into shade neck from inside.
3. Grasp socket nut by the long end and position it in the flare washer. This is the "normal" orientation for the nut.
4. Tighten nut on socket while supporting weight of shade with other hand.
5. Keep shade neck aligned in groove of end plate while tightening nut.
6. These shades are made by a hand blowing process and therefore will show some variation in glass thickness and length of shade neck. In some cases it may be necessary to reverse the nut in order to fully engage the socket threads or to hold the shade tightly.
7. Over time the nut may become "set" in place and seem very tight. To loosen nut easily, grasp nut with one hand and support shade with the other. Turn nut and shade counter clockwise simultaneously to release from end plate.



## REJUVENATION

# Installation sheet side canopy screw mount

skill level

• basic electrician

## installation instructions

For a safe installation make sure that the electrical box is securely mounted to a structural member of the building.

1. Attach **crossbar** to electrical box using screws supplied with the box.

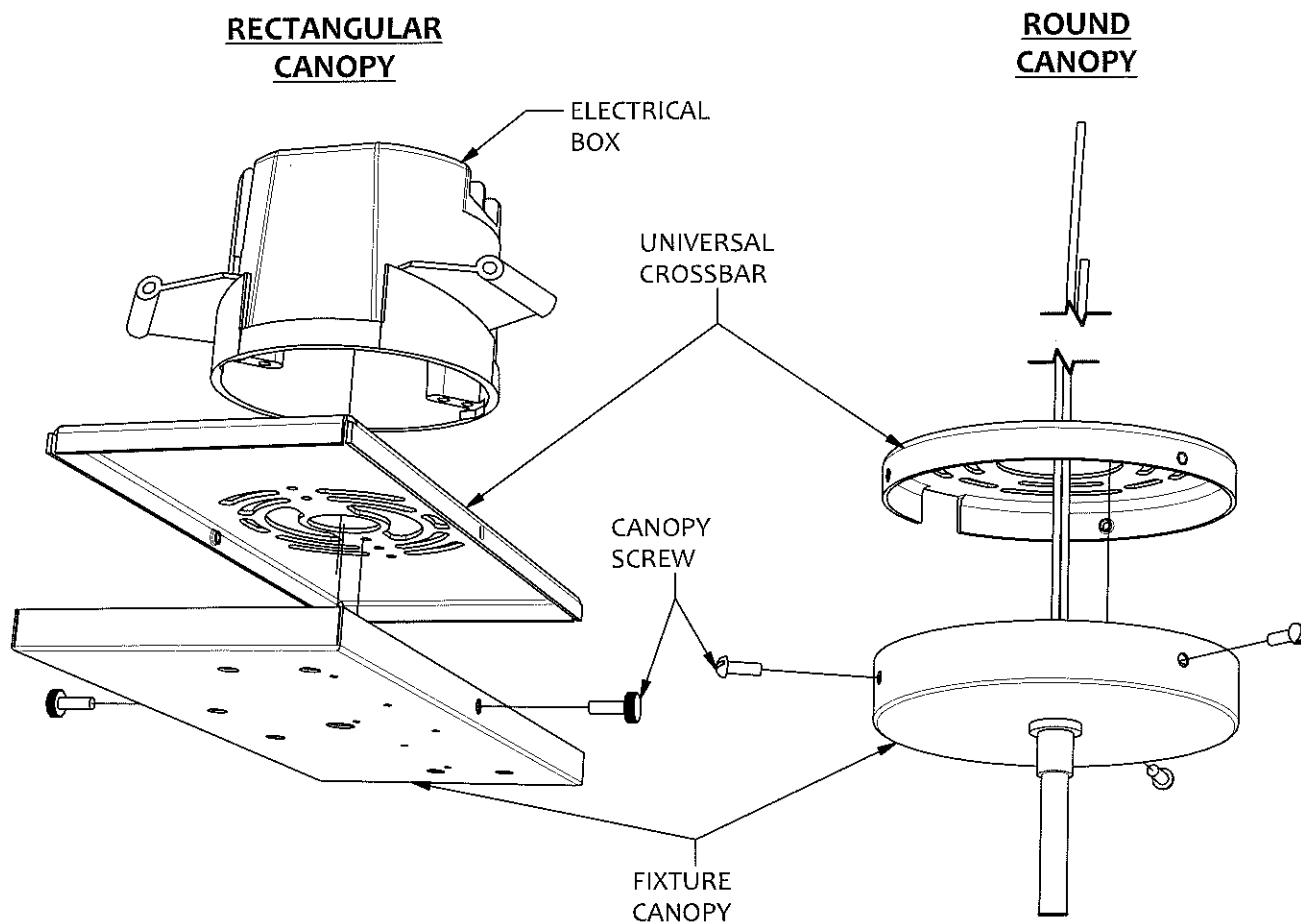
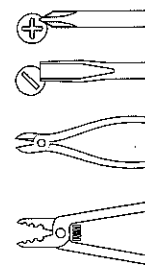
These fixtures are supplied with a unique crossbar. Most have curved slots in **crossbar** to allow fixtures to be squared to the room, regardless of position of screw holes in the electrical box.

2. Make wiring connections in accordance with local electrical codes. See "Important Information" on reverse side.

3. Using all **canopy screws** supplied with the fixture, attach fixture to **crossbar** through holes in **canopy** sides.

Complete!

## • toolbox



# REJUVENATION®

2550 N.W. Nicolai Street, Portland Oregon 97210 Customer Service: 888-401-1900 rejuvenation.com