

# REJUVENATION®

## Carson 12in Pendant 8ft Cord Assembly and Installation Instructions

Country of Destination:  US/CN  UK/EU/AUS  Middle East

### **CAUTION:**

**BEFORE INSTALLING FIXTURE, MAKE SURE THE POWER TO THE CIRCUIT IS TURNED OFF AT THE MAIN FUSE BOX / CIRCUIT BREAKER UTILITY BOX.**

### **IMPORTANT SAFETY INSTRUCTIONS:**

- These instructions are provided for your safety. It is very important that they are read carefully and completely before beginning the assembly and installation of this lighting fixture
- We strongly recommend that a professional electrician install all direct wire fixtures.
- **THIS PRODUCT MUST BE INSTALLED IN ACCORDANCE WITH THE APPLICABLE INSTALLATION CODES BY A PERSON FAMILIAR WITH THE CONSTRUCTION AND OPERATION OF THE PRODUCT AND THE HAZARDS INVOLVED.**
- The lighting fixture is meant for indoor use. It must be connected only to 3-wire, single-phase electrical supply systems (provided with Ground wire or equivalent protection system).
- For your safety, it is strongly recommended that two people install the lighting fixture.
- Light bulb should be centered inside the pendant shade. Making sure it does not touch the shade sides.
- This fixture has been rated for up to one (1) **100-watt maximum TYPE A standard incandescent light bulb** (not included) or one (1) **23-watt compact fluorescent light bulb** (not included). To avoid the risk of fire, do not exceed the recommended lamp wattage.
- The lighting fixture is meant for indoor use, **SUITABLE FOR DAMP LOCATION.**
- **Please save these instructions.**

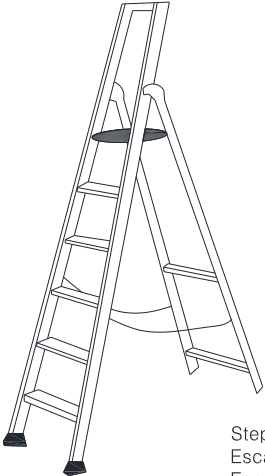
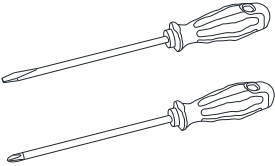
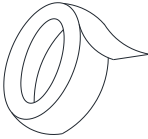
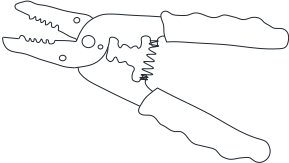
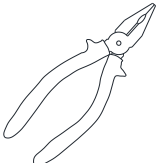
### **WARNING:**

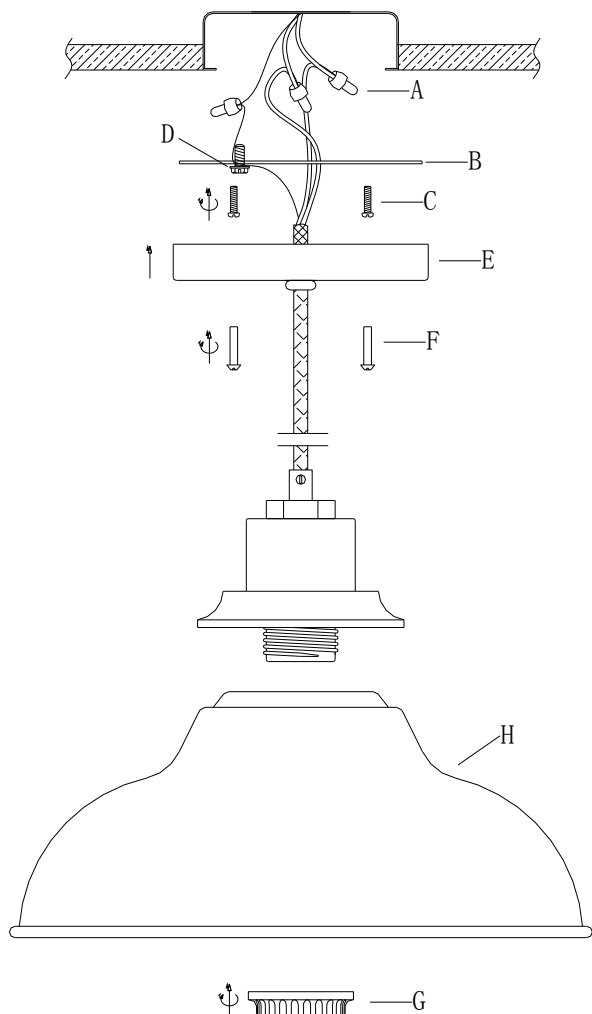
- **To reduce the risk of fire, electrical shock or personal injury, always turn off light fixture and allow it to cool prior to replacing the light bulb.**
- **Do not touch bulb when fixture is turned on; do not look directly at a lit bulb.**
- **Keep flammable materials away from lit bulb.**
- **This lighting fixture contains lead, a chemical known to the State of California to cause cancer, birth defects and other reproductive harm. Wash hands after installing, handling, cleaning or otherwise touching this light fixture.**

### **PRE-ASSEMBLY:**

- Remove all parts and hardware from box along with any plastic protective packaging.
- Do not discard any contents until after assembly is complete to avoid accidentally discarding small parts or hardware.
- For your safety and convenience, assembly by two people is recommended.

**Tools Required: (not included):**

 <p>Step Ladder Escabeau Escalera</p>	 <p>Phillips Head, Flat Blade Screwdrivers Tournevis à tête Phillips et à tête plate Destornilladores Cabeza Phillips y Destornilladores Cabeza Plana</p>	 <p>Electrical tape Ruban isolant Cinta Electrica.</p>
	 <p>Wire Cutter/Stripper Pince coupe-fil/ à dénudé Cortador de Cable</p>	 <p>Plier Pince Alicates</p>

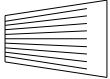
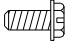

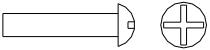


**Parts Included:**

- (1) Mounting Plate (B)
- (1) Canopy (E)
- (1) Socket Ring (G)
- (1) Shade (not included)

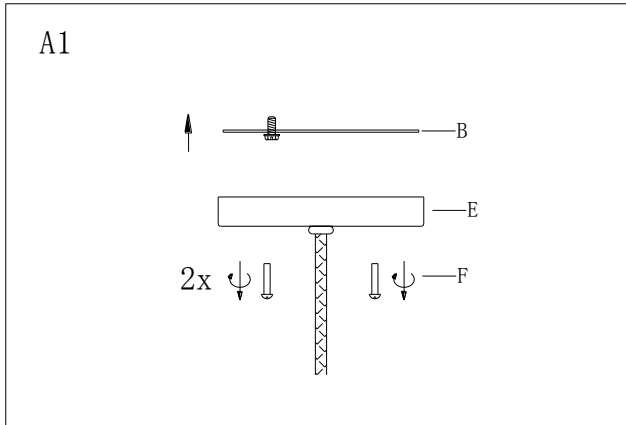
**Hardware Enclosed:**

- (3) Plastic Wire Nut Connectors (A)
- (2) Mounting Screws (C)
- (1) Green Ground Screw (D)
- (2) Canopy Screws (F)

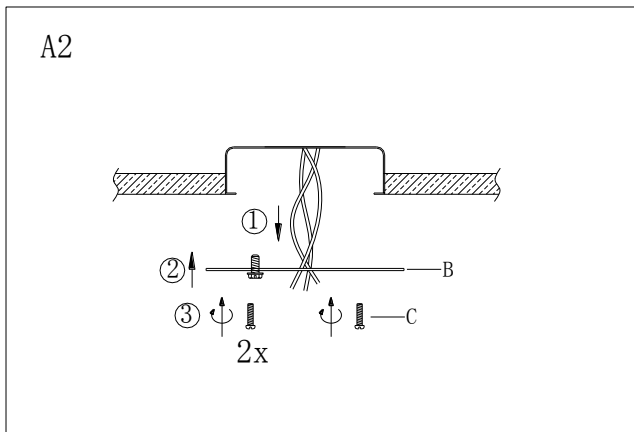
<p>A</p>  <p>3x</p>	<p>D</p>  <p>1x</p>
<p>C</p>  <p>2x</p>	<p>F</p>  <p>2x</p>

## Assembly & Installation Instructions:

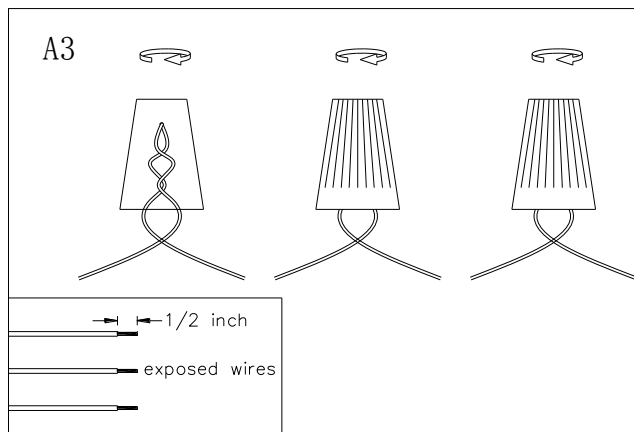
- **SHUT OFF THE MAIN ELECTRICAL SUPPLY FROM THE MAIN FUSE BOX/CIRCUIT BREAKER.**
- Carefully unpack all fixture parts and hardware and lay them on a clear workspace.



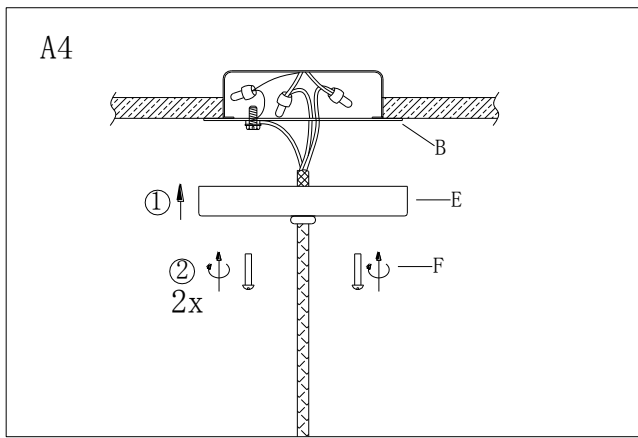
Separate Mounting Plate (B) from the Canopy (E) by removing the Canopy Screws (F), turning each counter clockwise. Do not discard Canopy Screws (F) as these will be used later.



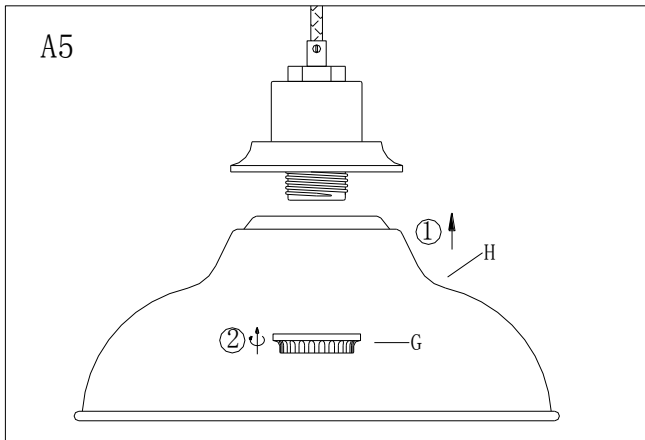
Insert the J-Box wires through the center opening of the Mounting Plate (B). Attach the Mounting Plate (B) to the ceiling outlet box using the two J-box Mounting Screws (C). Align the slots of the Mounting Plate (B) with the two threaded holes located on the J-Box. Use a screwdriver to tighten each screw with a screwdriver until the Mounting Plate (B) is firmly secured to the J-Box.



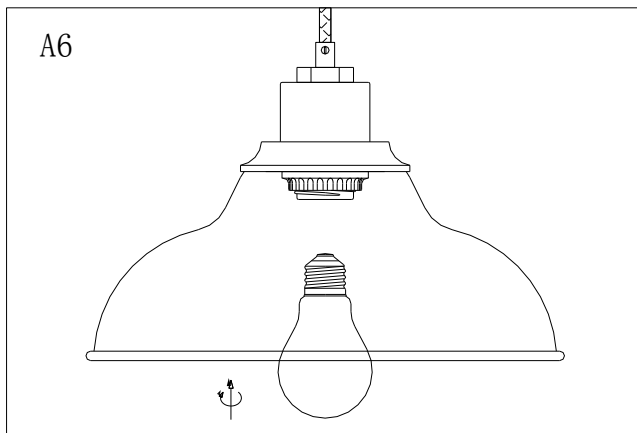
Please read the section "To Make the Wire Connections" Below.



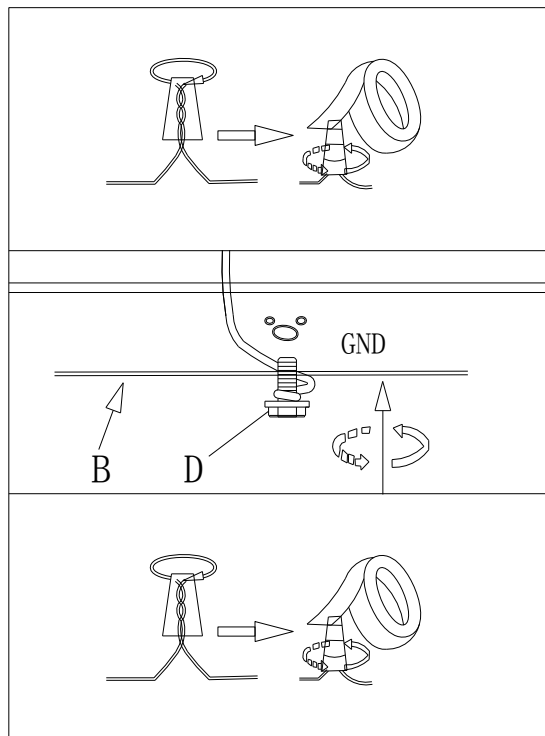
Position the Canopy (E) over the Mounting Plate (B) aligning the 2 holes on Canopy (E). Insert the 2 Canopy Screws (F) and tighten each with a screwdriver until secure.



Unscrew the Socket Ring (G) from the socket and attach the Lamp Shade (H) (not included) onto the Socket and tighten Socket Ring (G) by turning clockwise to secure the shade.



Insert one (1) **100-watt maximum TYPE A standard incandescent light bulb** (not included) or one (1) **23-watt compact fluorescent light bulb** (not included) into the Socket. **DO NOT EXCEED THE SPECIFIED WATTAGE.**



### To Make the Wire Connections:

1. Gently pull existing wire out from the ceiling junction box and allow wires to hang. The HOT or LIVE wire is usually black. The NEUTRAL wire is usually white. Check to see if there is a ground wire that is usually green or green with a yellow stripe or exposed copper metal wire. If needed, use a pair of wire strippers to remove about 1/2 inch of insulation from each wire.
2. Carefully inspect the fixtures wires. The NEUTRAL FIXTURE WIRE is white. The HOT FIXTURE WIRE is black. The green or green with a yellow stripe or bare wire is the GROUND WIRE. If you have any doubt and cannot identify the power-supply wires with confidence, then we recommend that you ask an electrician and that you not continue with the installation.
3. Attach the GROUND WIRE from the fixture to the GROUND JUNCTION BOX WIRE from the outlet junction box (J-box) (usually green insulation or bare wire). Fasten each together with a Plastic Wire Nut Connector (A) by twisting the connector in a clockwise direction and wrap the connection with electrical tape. Be sure that no wire strands are exposed. If your outlet junction box DOES NOT have a GROUND WIRE, be sure to insert the Green Ground Screw (D) into the Mounting Plate (B) marked as "GND", facing downward and wrap the fixture's bare ground wire around the Green Ground Screw (D). Tighten screw to clamp ground wire between ground screw head and Mounting Plate (B). IT IS IMPERATIVE THAT THE JUNCTION BOX IN YOUR HOME BE PROPERLY GROUNDED!
4. Connect the NEUTRAL FIXTURE WIRE to the NEUTRAL JUNCTION BOX WIRE (usually white insulation). Fasten each together with a Plastic Wire Nut Connector (A) by twisting the connector in a clockwise direction and wrap the connection with electrical tape. Be sure that no wire strands are exposed.
5. Connect the HOT FIXTURE WIRE to the HOT JUNCTION BOX WIRE (usually black insulation). Fasten each together with a Plastic Wire Nut Connector (A) by twisting the connector in a clockwise direction and wrap the connection with electrical tape. Be sure that no wire strands are exposed. DO NOT REVERSE THE HOT AND NEUTRAL CONNECTIONS OR SAFETY WILL BE COMPROMISED.
6. Check the wiring connections and if all looks good, gently tuck the wire connections neatly into the ceiling outlet box.

### CARE INSTRUCTIONS:

- Wipe clean with a soft, dry cloth or static duster.
- Always avoid the use of harsh chemicals or abrasive cleaners as they may cause damage to the fixture's finish.