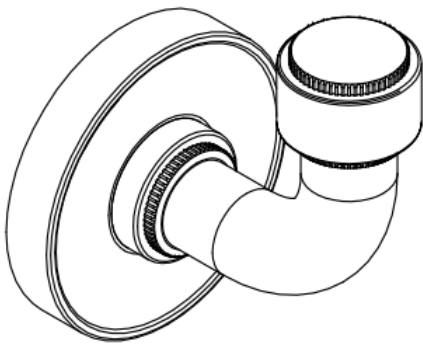
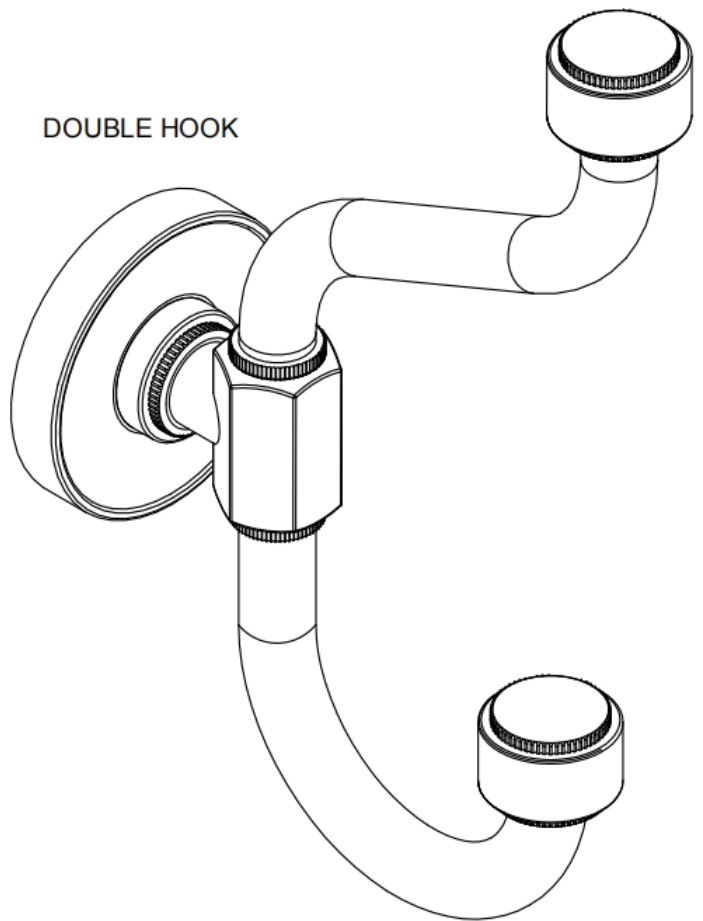


SINGLE HOOK



DOUBLE HOOK



**HASSALO HOOK**

**CALIFORNIA PROPOSITION 65 WARNING:** This product can expose you to chemicals including Lead which is known to the State of California to cause cancer and birth defects or other reproductive harm. For more information go to [www.P65warnings.ca.gov](http://www.P65warnings.ca.gov).

## PARTS INCLUDED

### 1pcs Hook

- 1pc M5\*8mm set screw
- 2pcs  $\phi$ 12.5X40mm dry wall Anchors
- 1pc Mounting bracket
- 2pcs  $\phi$ 4X40mm mounting screws
- 1pc Allen key

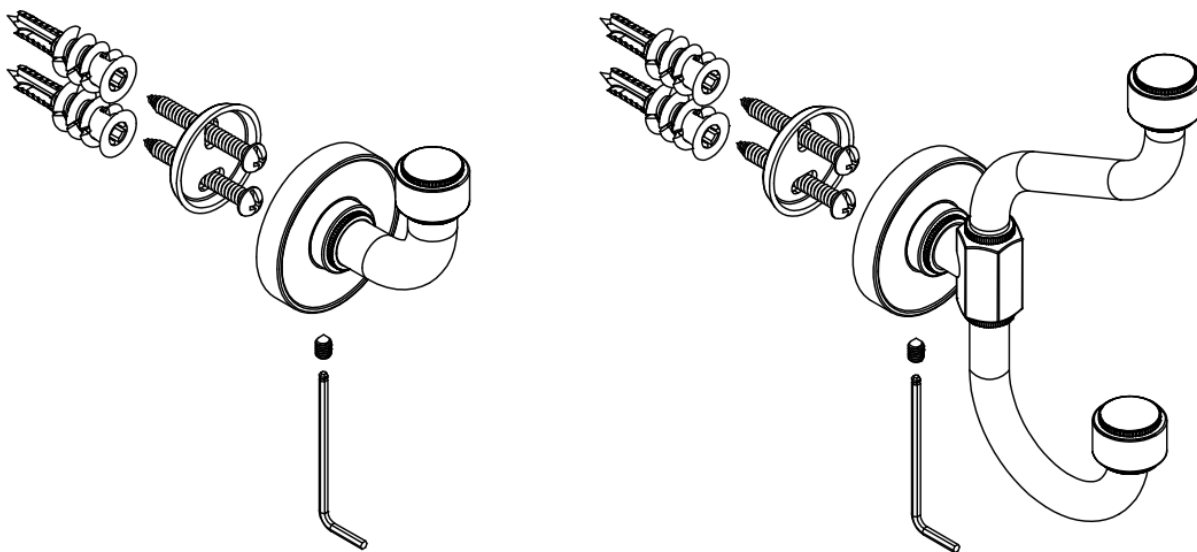
**THE MAXIMUM LOAD CAPACITY FOR THIS PRODUCT IS 20LBS (9KGS)**

## MOUNTING INSTRUCTIONS FOR TYPICAL DRY WALL APPLICATIONS

Note: Consult your local hardware store for proper mounting to other wall materials.

Tools Required: Phillips and slotted screwdriver, Pencil.

1. Determine the desired location.
2. Mark the location for mounting screws.
3. Use a Phillips screwdriver to insert the wall anchors. Do not “push” or drive the anchors into the wall, it is designed to bore into the wall like a screw. Slowly turn the anchors clockwise while applying pressure until the flange just touches the wall.
4. Using the two supplied screws to secure mounting bracket to wall.
5. Slide the product over bracket and secure it with the set screw using the supplied Allen Key.



## CLEANING INSTRUCTIONS

1. Dust often using a clean, soft, dry and lint-free cloth.
2. Blot spills and wipe with a clean, damp cloth immediately.
3. We do not recommend the use of chemical cleansers, abrasives or furniture polish on our lacquered finish.
4. Hardware may loosen over time. Periodically check to make sure all connections are tight. Re-tighten if necessary