

HOSE HOLDER

CALIFORNIA PROPOSITION 65 WARNING: This product can expose you to chemicals including Lead which is known to the State of California to cause cancer and birth defects or other reproductive harm. For more information go to www.P65warnings.ca.gov.

PARTS INCLUDED

Hose Holder	1 pc
● # 6-1.5" Slotted Head Mounting Screws	4 pcs
● Drywall Anchors	4 pcs

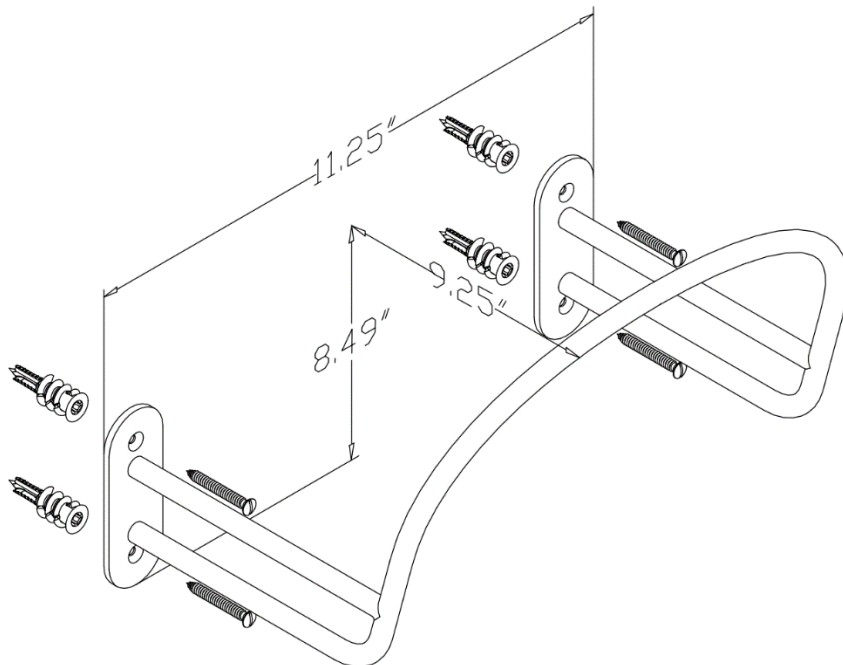
The maximum load capacity for this product is 25LBS

MOUNTING INSTRUCTIONS FOR TYPICAL DRYWALL APPLICATIONS

Note: Consult your local hardware store for proper mounting to other wall materials.

Tools required: Phillips and slotted screwdriver and tape measure.

1. Place hook in desired location.
2. Mark the location of drywall anchor installation. Remove the hook from the wall. Using a Phillips head screwdriver, pierce the tip of the anchor into the wall. *Do not "push" or drive the anchors into the wall, they are designed to bore into the wall like a screw.* Turn clockwise until anchor is flush with the wall.
3. Once both sets of anchors are in place, place the hook over anchor and insert mounting screws. Turn mounting screws clockwise just until you feel resistance.



CLEANING INSTRUCTIONS

1. Dust often using a clean, soft, dry and lint-free cloth.
2. Blot spills and wipe with a clean, damp cloth immediately.
3. We do not recommend the use of chemical cleansers, abrasives or furniture polish on our lacquered finish.
4. Hardware may loosen over time. Periodically check to make sure all connections are tight. Re-tighten if necessary