



## STRAP BRACKET

**CALIFORNIA PROPOSITION 65 WARNING:** This product can expose you to chemicals including Lead which is known to the State of California to cause cancer and birth defects or other reproductive harm. For more information go to [www.P65warnings.ca.gov](http://www.P65warnings.ca.gov).

## PARTS INCLUDED

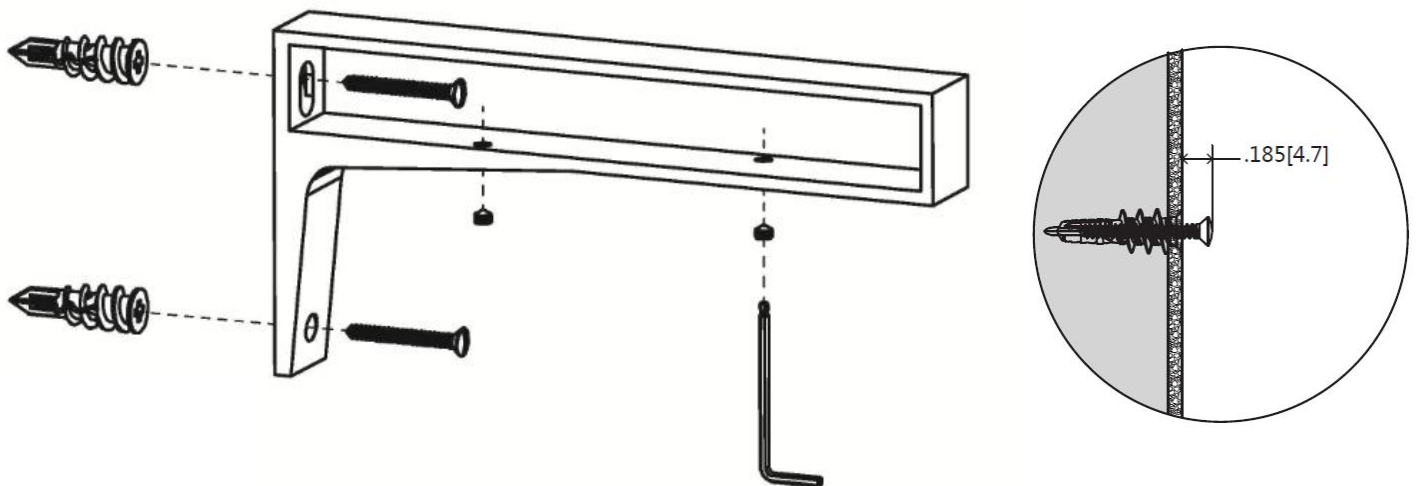
Shelf Brackets	2pcs
Drywall Anchors	4pcs
Bracket Mounting Screws	4pcs
Shelf Mounting Set Screws	4pcs
Allen wrench	1pc

## MOUNTING INSTRUCTIONS FOR TYPICAL DRYWALL APPLICATIONS

Note: Consult your local hardware store for proper mounting to other wall materials.

Tools Required: slotted screwdriver, Pencil, tape measure and level.

1. Place one of Shelf Brackets in the desired location, Using a pencil, Mark the locations of the drywall anchors  
Set the shelf bracket aside.
2. Using a Phillips head screwdriver, pierce the tip of the anchor into the wall. *Do not push or "pound" the anchors into the wall, they are designed to bore into the wall like a screw.* Turn clockwise until the anchor is flush with the wall.
3. Once both sets of anchors are in place, insert a screw into upper anchor. Turn the screw clockwise until the screw head is about 0.185inch\* from the wall.
4. Hang the shelf bracket on the protruded screws. Insert a screw through the bottom screw hole of bracket and Turn the screw clockwise just until you feel resistance.
5. Use a tape measure and level, determine the location for second shelf bracket, repeat step 2&3&4
6. Slide shelf into stap brackets, secure it with set screws.



## CLEANING INSTRUCTIONS

To maintain and protect the luster of all products, clean with a soft, damp cloth only.