

TABOR KNOB/PULL/BIN PULL

CALIFORNIA PROPOSITION 65 WARNING: This product can expose you to chemicals including Lead which is known to the State of California to cause cancer and birth defects or other reproductive harm. For more information go to www.P65warnings.ca.gov.

FASTENERS INCLUDED :

Knob: (1) of each length: 1" / 1-1/2" / 1-3/4" #8-32 Truss head screw

Pull: (2) of each length: 1" / 1-1/2" / 1-3/4" #6-32 Oval head slotted screws (use with T-Nuts)
(2) T-nut (use with existing holes)
(2) Oval head slotted wood screw (use when there are no existing holes)

Bin Pull: (2) of each length: 1" / 1-1/2" / 1-3/4" #8-32 Truss head screws

MOUNTING INSTRUCTIONS:

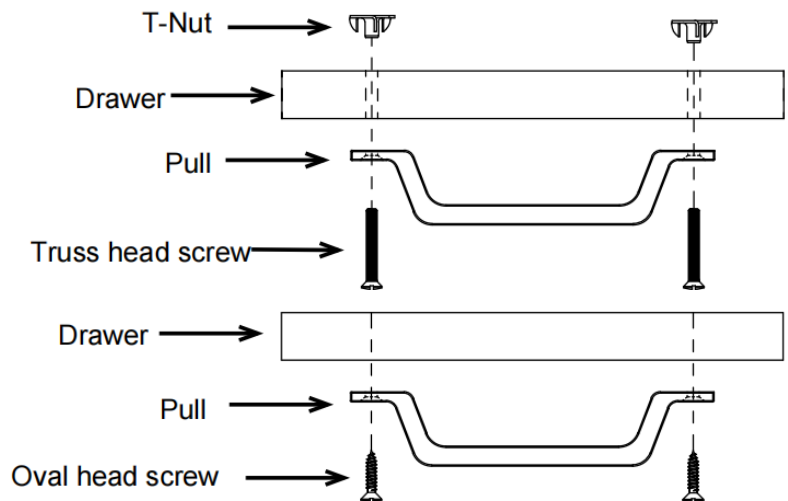
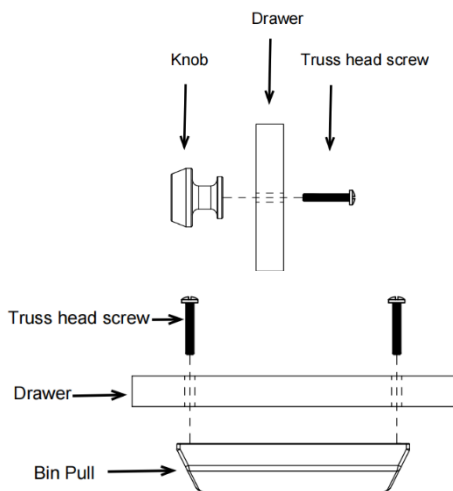
This hardware includes fasteners that are designed for drawer fronts and doors with a thickness range between 1/2" and 1-1/2" inches. If your drawer fronts and doors are thicker or thinner than this range, please obtain the appropriate size screw from your local hardware store. With slotted screws, wrap the tip of the screw driver with one layer of masking tape to reduce the chance of marring the finish.

KNOB: Carefully determine a desired knob location and use a drill with a 3/16" diameter drill bit to make a hole through the drawer front or door. Choose a screw which protrudes about 1/8" - 1/4" from the face of the drawer front or door. Use a screwdriver to tighten the screw while gently holding the knob. **DO NOT USE A POWERED SCREW DRIVER.**

PULL: WITH NO PREDRILLED HOLES: Carefully determine a desired pull location. After carefully marking the hole locations to match the hole spacing in the pull, use a drill with a 3/32" diameter drill bit to drill a 1/2" deep hole. Brass screws **require** a little bit of lubricant (a drop of liquid soap, a bit of bar soap, or candle wax). Use a screw driver to slowly install the wood screws and ensure the screw driver does not slip. **DO NOT USE A POWERED SCREW DRIVER.**

WITH PREDRILLED HOLES: Hammer T-Nuts into existing holes on the interior of the drawer or door. If necessary the prongs on the T-nuts can be bent flat with a pair of pliers. Do not use a screw to install T-Nuts. Choose a screw length which will not protrude past the T-Nut. **DO NOT USE A POWERED SCREW DRIVER.**

BIN PULL: Carefully determine a desired knob location. After carefully marking the hole locations to match the hole spacing in the pull, use a drill with a 3/16" diameter drill bit to make the hole through the drawer front or door. Choose a screw which protrudes about 1/8" - 1/4" from the face of the drawer front or door. Use a screwdriver to tighten the screws while gently holding the drawer pull. **DO NOT USE A POWERED SCREW DRIVER.**



CLEANING INSTRUCTIONS

1. Dust often using a clean, soft, dry and lint-free cloth.
2. Blot spills and wipe with a clean, damp cloth immediately.
3. We do not recommend the use of chemical cleansers, abrasives or furniture polish on our lacquered finish.
4. Hardware may loosen over time. Periodically check to make sure all connections are tight. Re-tighten if necessary