

HOOK WINFIELD DOUBLE SWIVEL

CALIFORNIA PROPOSITION 65 WARNING: This product can expose you to chemicals including Lead which is known to the State of California to cause cancer and birth defects or other reproductive harm. For more information go to www.P65warnings.ca.gov.

PARTS INCLUDED

Hook	1 pc
Mounting Screws	2 pcs
Drywall Anchors	2 pcs

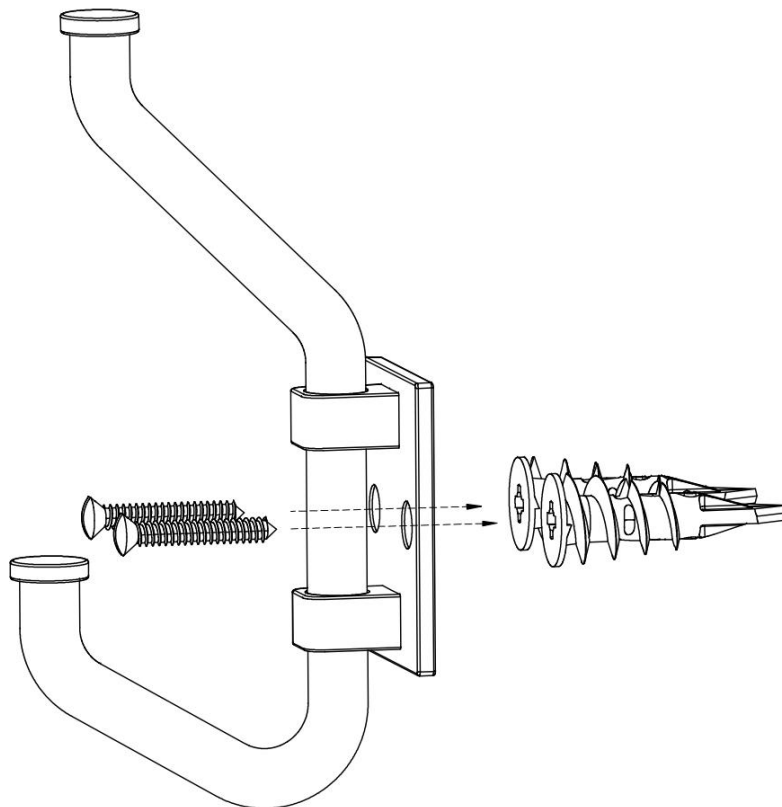
The maximum load capacity for this products is 10LBS (9KGS)

MOUNTING INSTRUCTIONS FOR TYPICAL DRYWALL APPLICATIONS

Note: Consult your local hardware store for proper mounting to other wall materials.

Tools required: Phillips and slotted screwdriver and tape measure.

1. Place hook in desired location.
2. Mark the location of drywall anchor installation. Remove the hook from the wall. Using a Phillips head screwdriver, pierce the tip of the anchor into the wall. *Do not “push” or drive the anchors into the wall, they are designed to bore into the wall like a screw.* Turn clockwise until anchor is flush with the wall.
3. Once both sets of anchors are in place, place the hook over anchor and insert mounting screws. Turn mounting screws clockwise just until you feel resistance.



CLEANING INSTRUCTIONS

To maintain and protect the luster of all products, clean with a soft, damp cloth only.