

## WILKINS Door Knocker

**⚠ CALIFORNIA PROPOSITION 65 WARNING:** This product can expose you to chemicals including Lead which is known to the State of California to cause cancer and birth defects or other reproductive harm. For more information go to <https://www.p65warnings.ca.gov/>

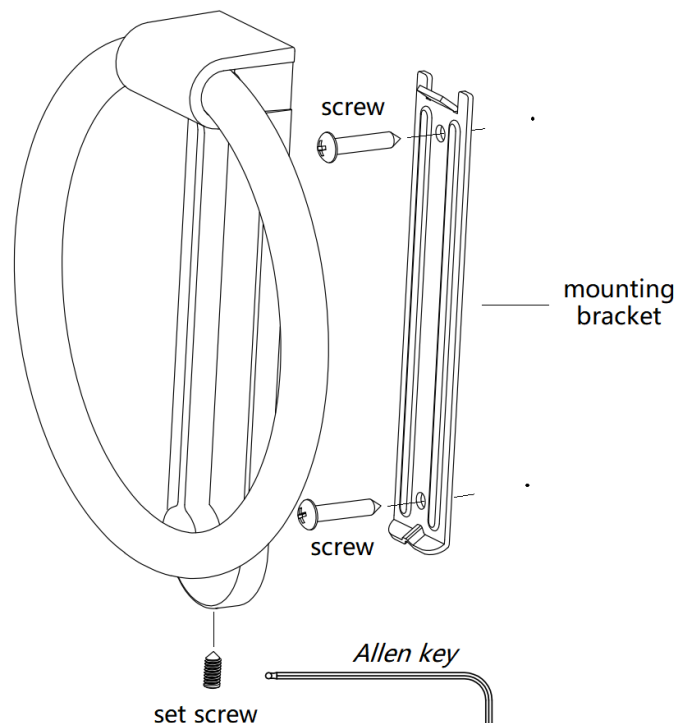
## PARTS INCLUDED

- Door knocker 1pc
- Mounting hardware
  - 1pc mounting bracket
  - 2pcs #10-24 Phillips-head mounting screws
  - 1pc set screw
  - 1pc Allen key

**TOOLS NEEDED:** Phillips screwdriver, Pencil

## MOUNTING INSTRUCTIONS:

1. Carefully determine a desired knocker location, then mark screw holes location with a pencil.
2. To secure the mounting bracket, use a Phillips screwdriver to insert the screws into the door front through the marked holes until tight.
3. Slide the product over bracket and secure it with the set screw using the supplied Allen Key.



## CLEANING INSTRUCTIONS

- Dust often using a clean, soft, dry and lint-free cloth.
- Blot spills and wipe with a clean, damp cloth immediately.
- We do not recommend the use of chemical cleansers, abrasive or furniture polish on our lacquered finish
- Hardware may loosen over time. Periodically check to make sure all connections are tight. Re-tighten if necessary.