

DOORBELL BUTTON JERICHO RECTANGLE/SQUARE

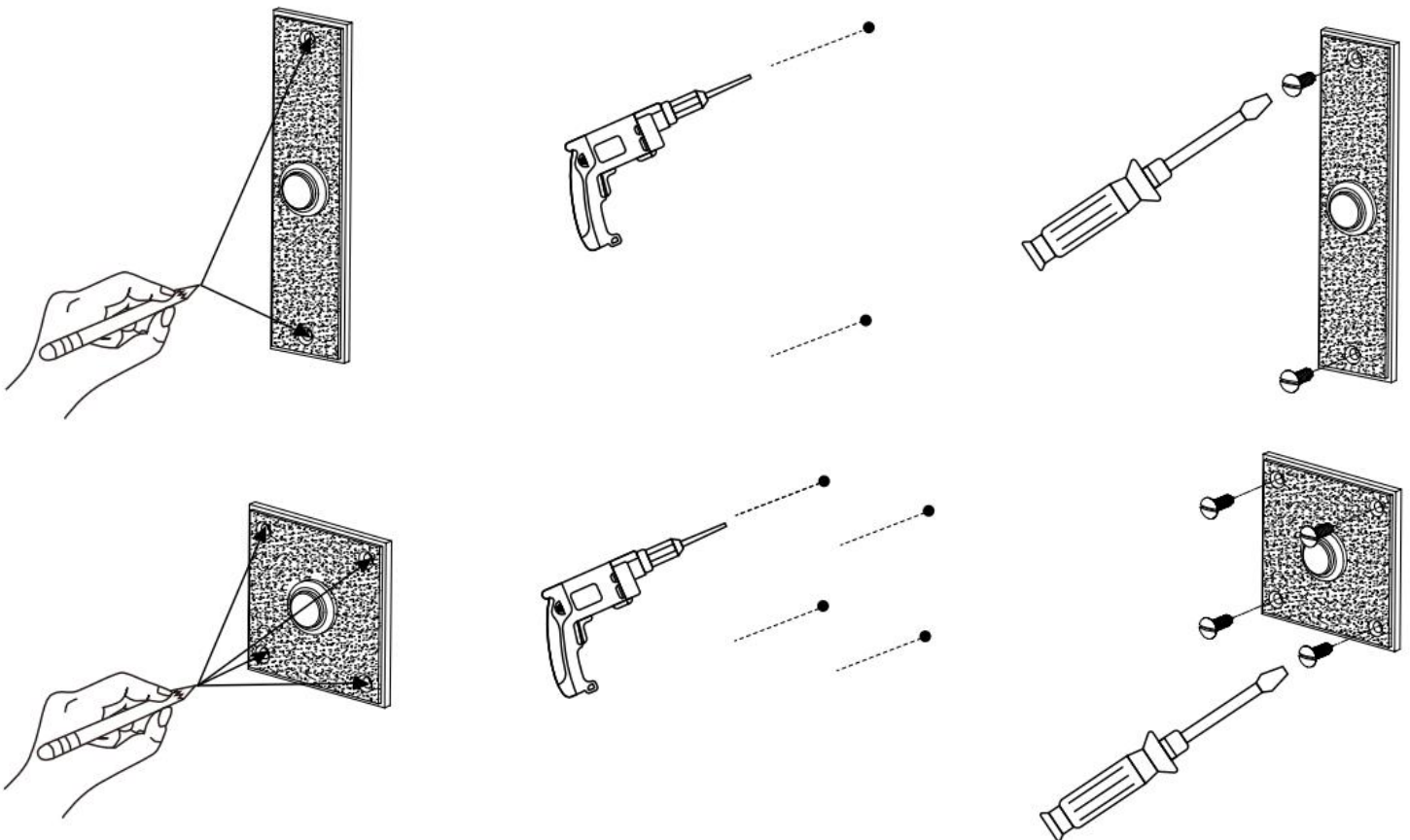
CALIFORNIA PROPOSITION 65 WARNING: This product can expose you to chemicals including Lead which is known to the State of California to cause cancer and birth defects or other reproductive harm. For more information go to www.P65warnings.ca.gov.

PARTS INCLUDED

- | | |
|-----------------|---|
| Doorbell Button | 1 pc |
| Mounting Screws | 2 pcs for rectangle doorbell button, 4 pcs for square doorbell button |

MOUNTING INSTRUCTIONS FOR TYPICAL WOOD SIDING APPLICATIONS

1. Bore 3/4" hole centered where doorbell button will be located.
2. Position button assembly and use it as a template for locating mounting screw holes.
3. Drill pilot holes for mounting screws
4. Make wiring connections to terminals on back of button.
5. Using supplied screws, attach doorbell button assembly to wall or door frame.



CLEANING INSTRUCTIONS

To maintain and protect the luster of all products, clean with a soft, damp cloth only.