

REJUVENATION

Mirror Bentwood Rectangle 24x36in

PARTS INCLUDED:

Mirror	1 pc
Screws	2 pcs
Drywall anchors	2 pcs

TOOLS REQUIRED: Phillips screwdriver, pencil, level, Stud finder.

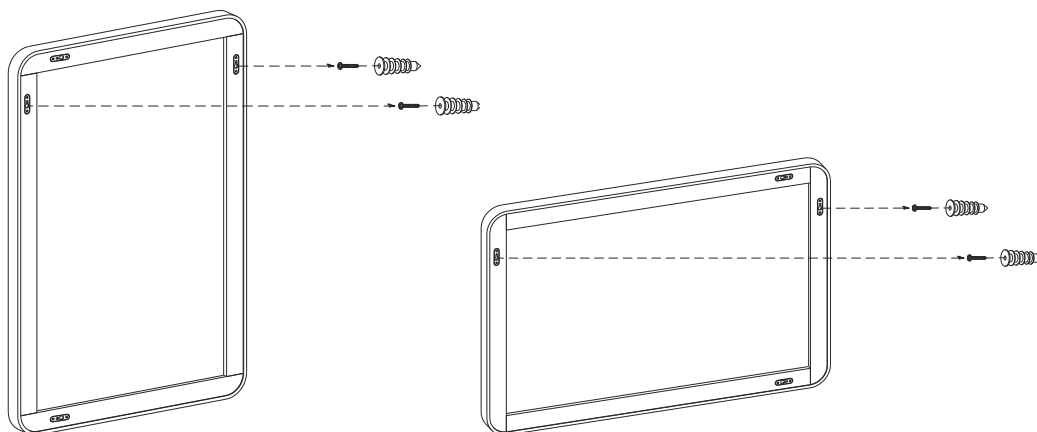
MOUNTING INSTRUCTIONS FOR TYPICAL DRYWALL APPLICATIONS

Note: Consult your local hardware store for proper mounting to other wall materials.

This mirror includes two pairs of keyholes on the back for supporting it against a wall in either a vertical or horizontal orientation, see below. Determine which orientation you prefer and use the appropriate pair of keyholes for hanging.

1. A paper template is included with this item to help locate the insertion points of the mounting hardware on the wall. Position the paper template on the wall and use a level to ensure it is level. Mark the anchor positions on the wall by piercing the template with a sharp pencil. Remove the template from the wall.
2. Install the anchors into the wall. Using a Phillips head screwdriver, pierce the tip of the anchor into the wall and turning clockwise until anchor is flush with the wall. *Do not “push” or pound the anchors into the wall, they are designed to bore into the wall like a large screw.*
3. Use the screwdriver to secure a screw into each installed anchor. Rotate the screw clockwise until the screw head is about 3/8” from the wall.
4. Lift the mirror against the wall so the keyholes on the back align and engage with the protruding screw heads. Make sure each screw engages its keyhole in place before releasing your grip on the mirror.

Note: For stud-aligned location (use a stud finder to determine this), do not use the anchor, install the screw directly into the wall and leaving the screw head 3/8” protruded from the wall.



CLEANING INSTRUCTIONS

- Wipe with a soft, dry cloth.
- To protect the finish, avoid the use of all chemicals and household cleaners.
- A household glass cleaner may be used to clean the mirror surface, but apply the cleaner to a clean cloth first and then use the cloth to clean the mirror surface. Avoid spraying the cleaner directly onto the mirror frame.