

Altona semi flush / pendant

CAUTION:

- **BEFORE INSTALLING FIXTURE, MAKE SURE THE POWER TO THE CIRCUIT IS TURNED OFF AT THE MAIN FUSE BOX / CIRCUIT BREAKER UTILITY BOX.**

IMPORTANT SAFETY INSTRUCTIONS:

- These instructions are provided for your safety. It is very important that they are read carefully and completely before beginning the assembly and installation of this lighting fixture.
- We strongly recommend that a professional electrician install all direct wire fixtures.
- THIS PRODUCT MUST BE INSTALLED IN ACCORDANCE WITH THE APPLICABLE INSTALLATION CODES BY A PERSON FAMILIAR WITH THE CONSTRUCTION AND OPERATION OF THE PRODUCT AND THE HAZARDS INVOLVED.
- For your safety, it is strongly recommended that two people install the lighting fixture.
- Light bulbs should be centered inside the sconce shade. Making sure they do not touch the shade sides.
- This fixture has been rated for up to four (4) **60-watt maximum TYPE A standard incandescent light bulbs** (not included) or four (4) **9-watt LED light bulbs** (not included). To avoid the risk of fire, do not exceed the recommended lamp wattage.
- The lighting fixture is meant for indoor use, SUITABLE FOR EITHER DRY, DAMP LOCATIONS.
- **Please save these instructions.**

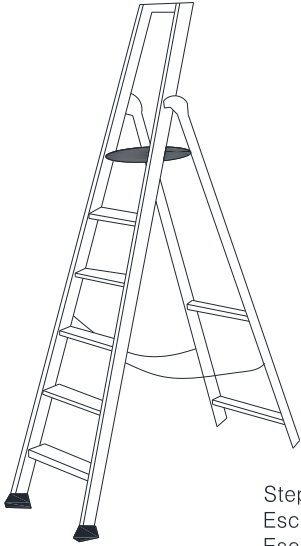
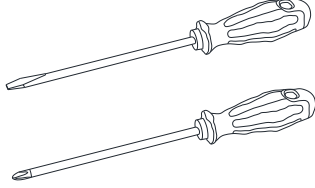
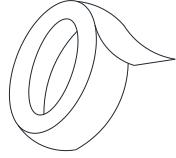
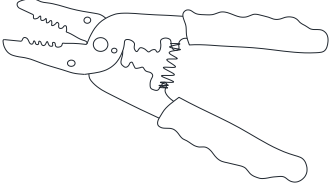
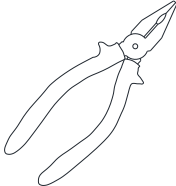
WARNING:

- **To reduce the risk of fire, electrical shock or personal injury, always turn off light fixture and allow it to cool prior to replacing light bulb.**
- **Do not touch bulb when fixture is turned on. Do not look directly at lit bulb.**
- **Keep flammable materials away from lit bulb.**

PRE-ASSEMBLY:

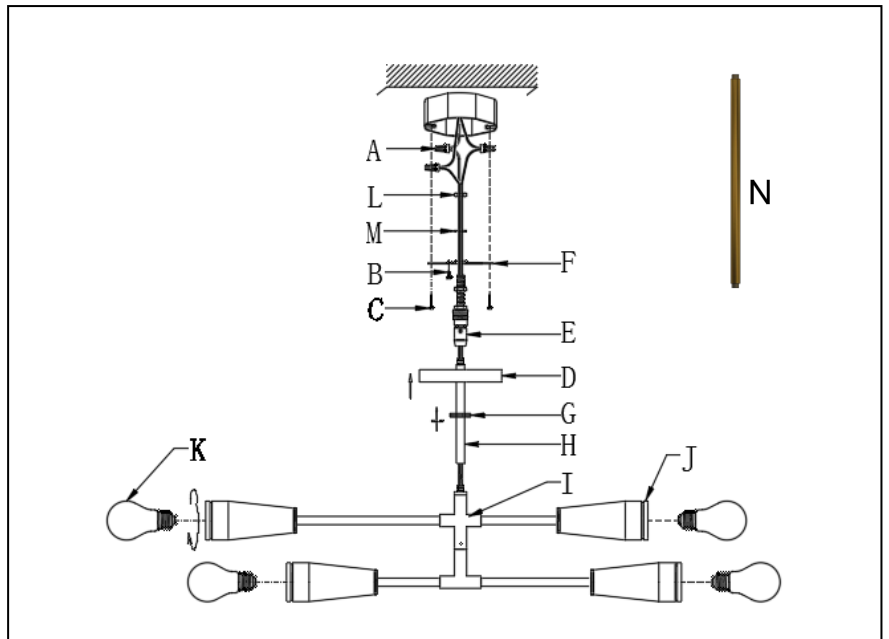
- Remove all parts and hardware from box along with any plastic protective packaging.
- Do not discard any contents until after assembly is complete to avoid accidentally discarding small parts or hardware.
- For your safety and convenience, assembly by two people is recommended.

TOOLS REQUIRED (not included):

 <p>Step Ladder Escabeau Escalera</p>	 <p>Phillips Head, Flat Blade Screwdrivers Tournevis à tête Phillips et à tête plate Destornilladores Cabeza Phillips y Destornilladores Cabeza Plana</p>	 <p>Electrical tape Ruban isolant Cinta Electrica.</p>
	 <p>Wire Cutter/Stripper Pince coupe-fil/ à dénudé Cortador de Cable</p>	 <p>Plier Pince Alicates</p>

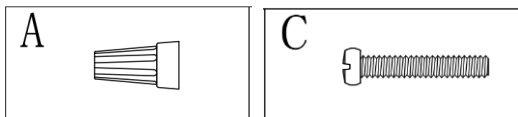
Parts Included:

- (B) Green Ground Screw (1)
- (D) Canopy (1)
- (E) Swing (1)
- (F) Mounting Plate (1)
- (G) Canopy Nut (1)
- (H) 6 inches Down rod (1)
- (I) Lamp Body (1)
- (J) Socket (4)
- (K) Bulb (4) (not included)
- (L) Hex Nut (3)
- (M) Washer (3)
- (N) 12, 18, 24, 30 or 36 inch down rod (1)
(Not included) **This part will be shipped separately if you ordered the pendant.*



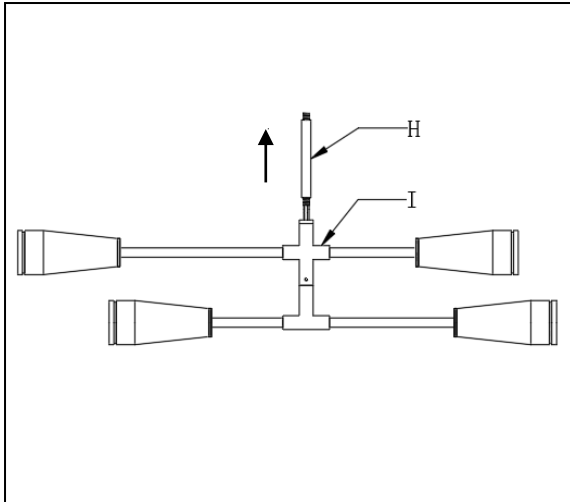
Hardware Enclosed:

- (A) Plastic Wire Nut Connectors (3)
- (C) Mounting Screw (2)



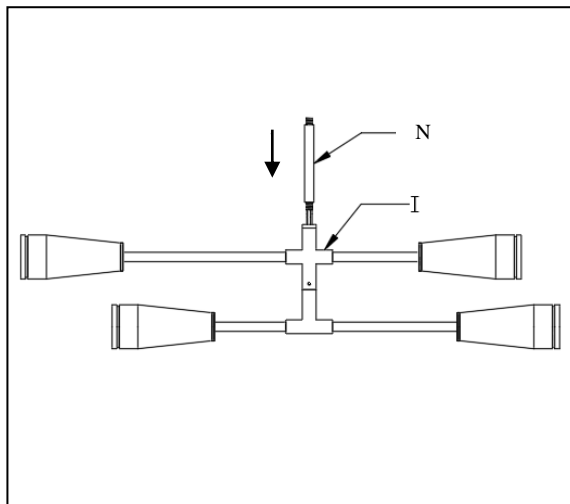
TO ADJUST THE OVERALL LENGTH OF THE FIXTURE:

Note: The adjustment or shortening of the lighting fixture's wiring is only needed if the factory set length is not appropriate for your installation. We recommend that you adjust the fixture to the proper desired length before cutting the electrical cord. Make sure to allow additional cord to make the wire connections as noted below.

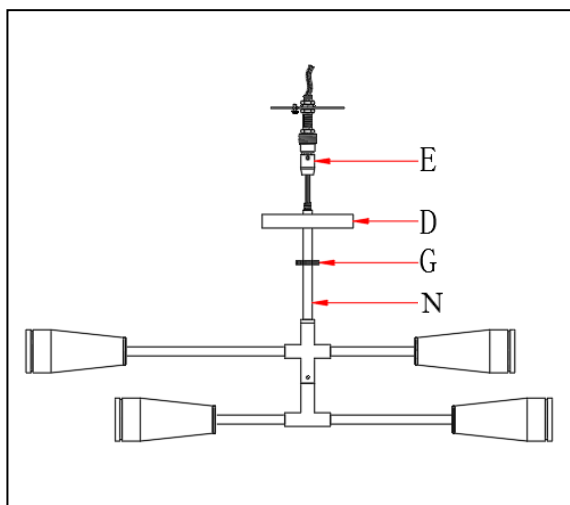


Rotate the down rod (H) counter clockwise from lamp body (I). If you ordered the pendant, replace the included down rod (H) with the downrod that shipped with your order. (N), 12", 18", 24", 30" or 36" downrod.

Note: the selectable down rod (N) is only included if you ordered the pendant.



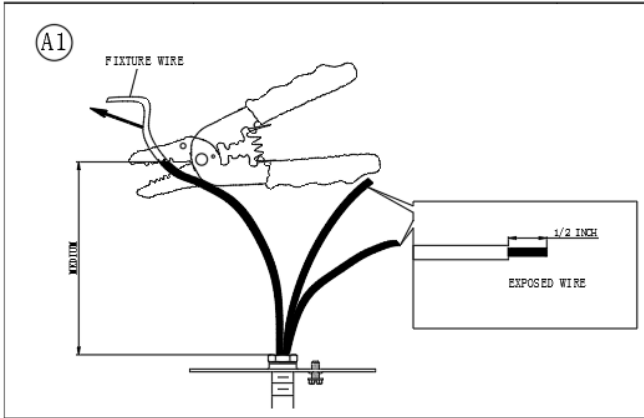
Weave the power cord and bare ground wire through the Down rod (N). Screw the Down rod (N) to connect the Lamp body (I) tightly.



Weave the power cord and bare ground wire through Canopy Nut (G) and Canopy (D).

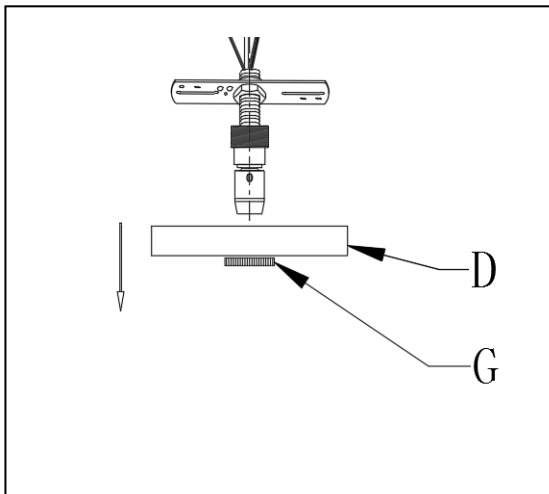
Weave the power cord and bare ground wire through Swing(E) and then Screw the Swing (E) to connect the Lamp body (N) tightly.

(See A1) If needed, cut off the extra power cord length on the fixture 2 wire power cord and bare ground wire so that they all are at least 6 inches (152.4 mm) long within the outlet junction box (J-box).

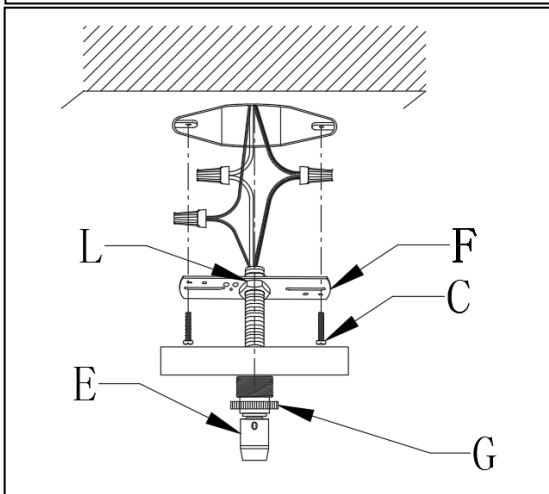


Assembly & Installation Instructions:

- **SHUT OFF THE MAIN ELECTRICAL SUPPLY FROM THE MAIN FUSE BOX/CIRCUIT BREAKER.**
- Carefully unpack all fixture parts and hardware and lay them on a clear workspace.
- If the parts are not already preassembled or if suspension length adjustments were not made, please use the instruction section above “To Adjust the Suspension Length of the Fixture” for the proper assembly of the Tubes (N) to the desired suspension length.

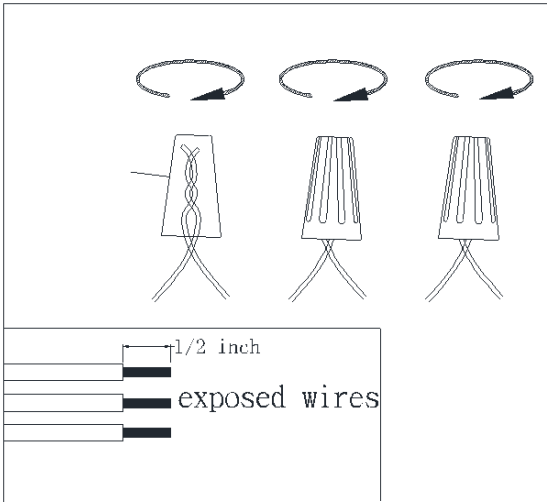


Slide the canopy (D) and canopy nut (G) downwards.

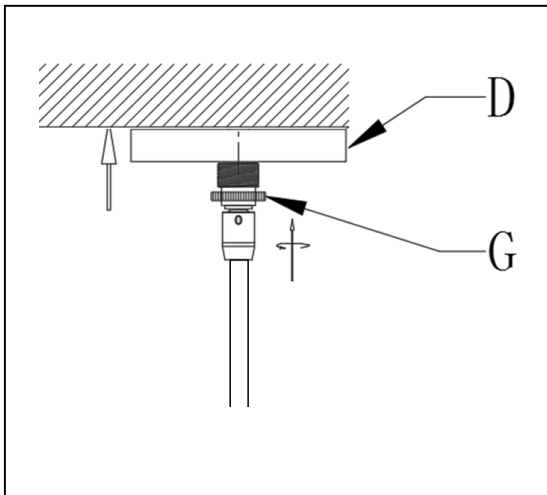


With the help of another person to hold the weight of lighting fixture, attach the Mounting Plate (F) onto the Junction Box by using 2 mounting Screw (C) with a screwdriver. Adjust the position of the threaded tube of Swing (E) and fix the 2 upper Hex nuts (L) tightly to the Mounting plate (F).

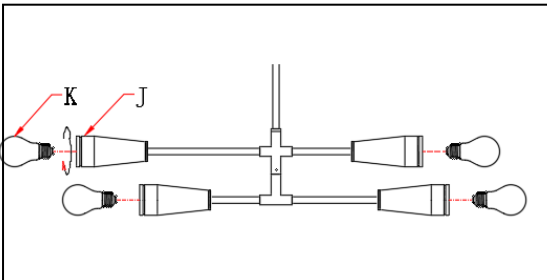
To Make the Wire Connections.



Please read the section **“To Make the Wire Connections”** Below.



Move Canopy (D) upwards to the ceiling, and then fix Canopy (D) with Canopy Nut (G). Do not over tighten this nut.

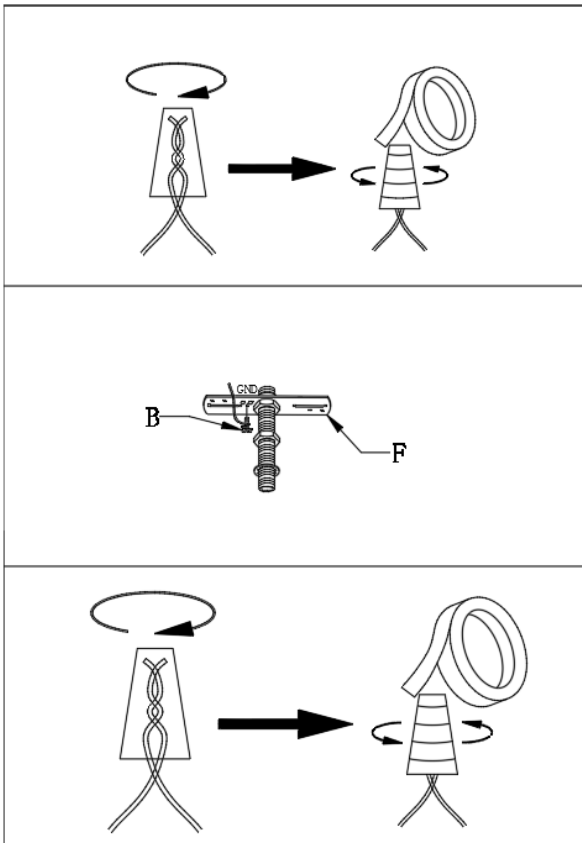


Adjust the lower arm to an appropriate angle.
Insert the specified Light Bulbs(K) into the Socket (J) of Lamp Body.
DO NOT EXCEED THE SPECIFIED WATTAGE.

To Make the Wire Connections:

1. Gently pull existing wire down from the ceiling junction box and allow wires to hang. The HOT or LIVE wire is usually black. The NEUTRAL wire is usually white. Check to see if there is a ground wire that is usually green or green with a yellow stripe or exposed copper metal wire. If needed, use a pair of wire strippers to remove about 1/2 inch of insulation from each wire.
2. Carefully inspect the fixtures wires. The NEUTRAL FIXTURE WIRE has FINE LONGITUDINAL RIDGES running along its length. The HOT FIXTURE WIRE is SMOOTH and the BARE COPPER WIRE is the GROUND WIRE. If you have any doubt and cannot identify the power-supply wires with confidence, then we recommend that you ask an electrician and that you not continue with the installation.

3. With the help of another person to hold the weight of the fixture, attach the fixture wires to the junction box wires as shown in the illustrations.



Connect the GROUND FIXTURE WIRE to the GROUND J-BOX WIRE using the Plastic Wire Nut Connector(A) and wrap the connection with electrical tape. Be sure that no wire strands are exposed.

If the junction box DOES NOT have a GROUND WIRE, wrap the fixtures bare ground wire around the Green Ground Screw(B) and inset the screw into the Mounting Plate(F), marked as GND, and tighten screw to press the wire.

Connect the NEUTRAL FIXTURE WIRE to the NEUTRAL J-BOX WIRE first and then connect the HOT FIXTURE WIRE to the HOT J-BOX WIRE using the Plastic Wire Nut Connectors(A) Wrap these connections with Electrical tape Be sure that no wire strands are exposed

NOTE:

**IT IS IMPERATIVE THAT THE JUNCTION BOX IN YOUR HOME BE PROPERLY GROUNDED!
DO NOT REVERSE THE HOT AND NEUTRAL CONNECTIONS OR SAFETY WILL BE COMPROMISED.**

4. Check the wiring connections and if all looks good, gently tuck the wire connections neatly into the ceiling junction box.

Care Instructions:

- Wipe clean with a soft, dry cloth or static duster.
- Always avoid the use of harsh chemicals or abrasive cleaners as they may cause damage to the fixture's finishing.

Thank you for your purchase

2550 N.W. Nicolai Street, Portland Oregon 97210 Customer Service: 888 401-1900 [www. rejuvenation.com](http://www.rejuvenation.com)