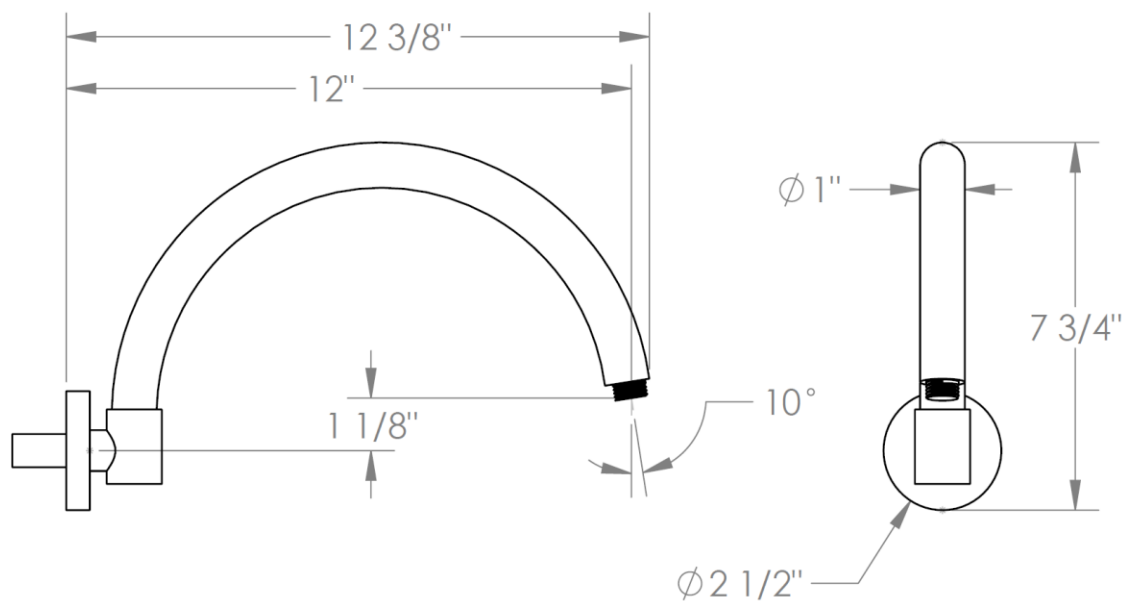


REJUVENATION

www.rejuvenation.com

12" WALL MOUNT ARCHED SHOWER ARM

Shower Arm/ Flange for rain shower heads



Meets the applicable requirements of ASME A112.18.1-2005/CSA B125.1-05, entitled "Plumbing Supply Fittings"

WATERMARK DESIGNS