

ARLO LARGE CHANDELIER ASSEMBLY INSTRUCTIONS

(Z103673)

CAUTION:

- **BEFORE INSTALLING FIXTURE, MAKE SURE THE POWER TO THE CIRCUIT IS TURNED OFF AT THE MAIN FUSE BOX / CIRCUIT BREAKER UTILITY BOX.**

Important Safety Instructions:

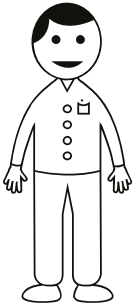
- These instructions are provided for your safety. It is very important that they are read carefully and completely before beginning the assembly and installation of this lighting fixture.
- We strongly recommend that a professional electrician install all direct wire fixtures.
- THIS PRODUCT MUST BE INSTALLED IN ACCORDANCE WITH THE APPLICABLE INSTALLATION CODES BY A PERSON FAMILIAR WITH THE CONSTRUCTION AND OPERATION OF THE PRODUCT AND THE HAZARDS INVOLVED.
- The lighting fixture is meant for indoor use. It must be connected only to 3-wire, single-phase electrical supply systems (provided with Ground wire or equivalent protection system).
- For your safety, it is strongly recommended that two people install the lighting fixture.
- This fixture has been rated for **75-Watt maximum medium base (E26) incandescent light bulbs** (not included). To avoid the risk of fire, do not exceed the recommended lamp wattage.
- The lighting fixture is meant for indoor use, DRY or DAMP LOCATIONS ONLY.
- **Save these instructions.**

WARNING:

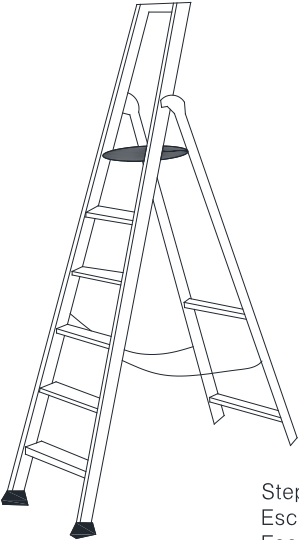
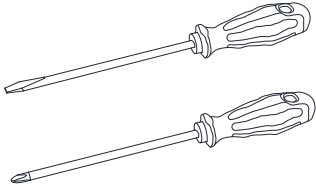
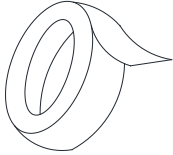
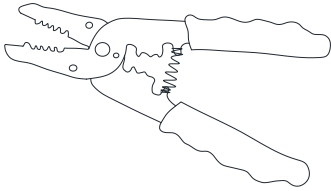
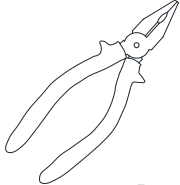
- **To reduce the risk of fire, electrical shock or personal injury, always turn off light fixture and allow it to cool prior to replacing light bulb.**
- **Do not touch bulb when fixture is turned on. Do not look directly at lit bulb.**
- **Keep flammable materials away from lit bulb.**
- **This lighting fixture contains lead, a chemical known to the State of California to cause cancer, birth defects and other reproductive harm. Wash hands after installing, handling, cleaning or otherwise touching this light fixture.**

Pre-assembly:

- Remove all parts and hardware from box along with any plastic protective packaging.
- Do not discard any contents until after assembly is complete to avoid accidentally discarding small parts or hardware.
- For your safety and convenience, assembly by two people is recommended.



TOOLS REQUIRED (not included):

 <p>Step Ladder Escabeau Escalera</p>	 <p>Phillips Head, Flat Blade Screwdrivers Tournevis à tête Phillips et à tête plate Destornilladores Cabeza Phillips y Destornilladores Cabeza Plana</p>	 <p>Electrical tape Ruban isolant Cinta Electrica.</p>
	 <p>Wire Cutter/Stripper Pince coupe-fil/ à dénudé Cortador de Cable</p>	 <p>Plier Pince Alicates</p>

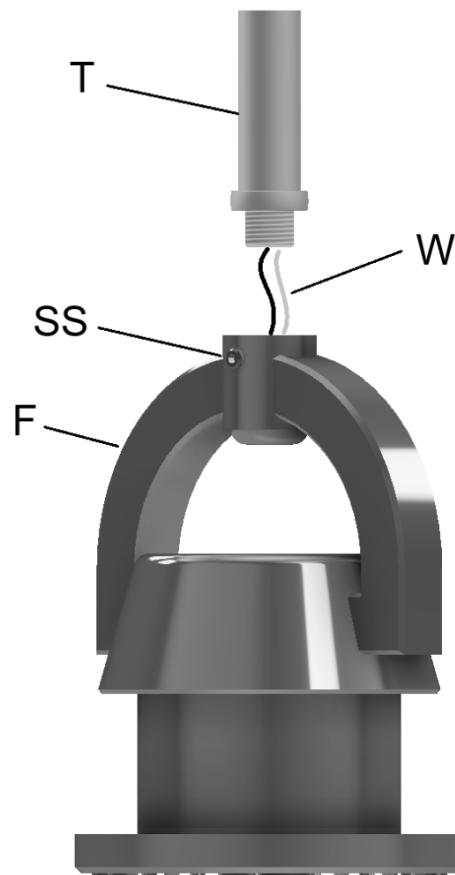
MATERIALS NEEDED:

- Wire connectors (not supplied - the size depends on the number and size of the wires being joined).
- Crossbar mounting screws. These should be supplied with the J-box/electrical box. If you need to replace them try 8-32 x 3/4" or longer.

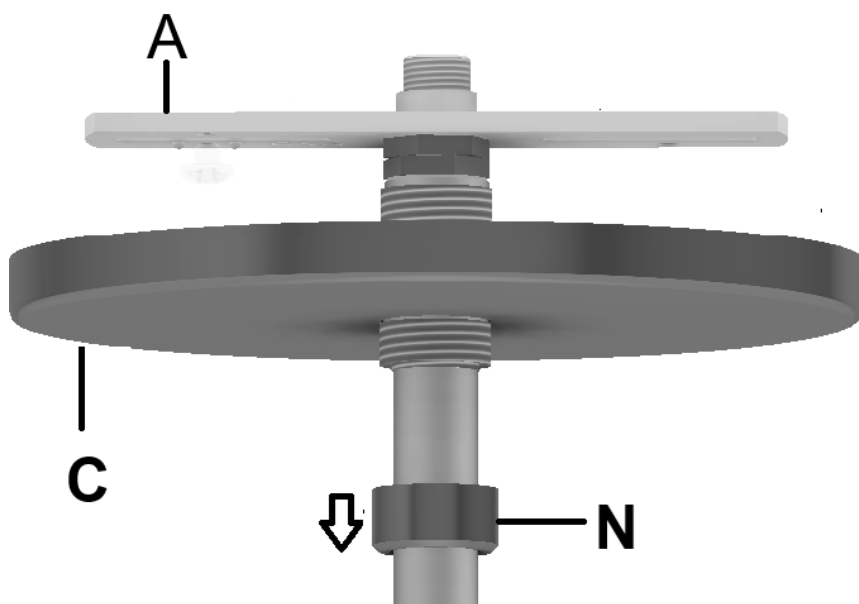
ATTACH DROP TUBE TO FIXTURE:

If tube and canopy assembly not attached upon arrival

1. Feed wires from lower fixture (F) up through the tube and canopy assembly (T) until they pass through the opposite/upper end of the tube.
2. Locate set screw (SS) on fixture and loosen with provided allen key.
3. Screw upper tube (T) into fixture (F) until it just stops.
4. Tighten set screw (SS) until it just stops - to lock tube in position.

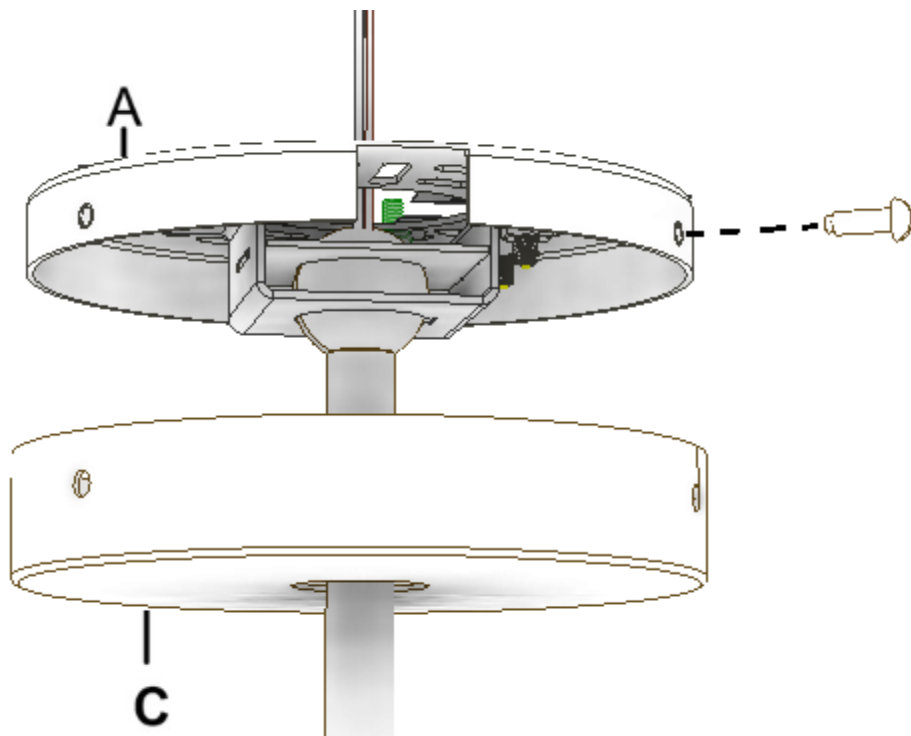


EXPOSE CROSSBAR (A):



Using caution not to scratch the tube finish, loosen the Canopy Nut (N), then slide the nut and Canopy (C) down until they temporarily sit on top of the fixture.

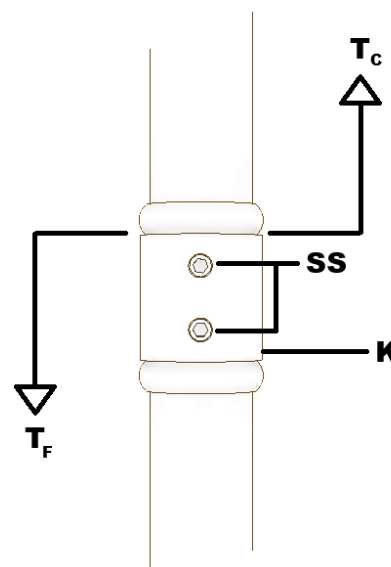
EXPOSE CROSSBAR - FOR VAULTED CANOPY ORDERS ONLY:



Remove the 3 canopy screws on the side of the crossbar using a flat head screwdriver. Using caution not to scratch the tube finish, slide the Canopy (C) down until it temporarily sits on top of the fixture.

FOR EXTRA LONG FIXTURES ONLY:

For fixtures over a certain length, you will receive your drop tube (T) in two sections with a coupling (K) in the middle for connecting them together. The upper tube (T_C) that connects to your canopy/crossbar, and the lower tube (T_F) that connects to the coupling on the fixture. Feed the wire through the lower tube (T_F) first, then through the upper tube (T_C). Then connect the tubes together and secure with the two set screws (SS) using the Allen wrench provided. Continue to step 2 above.

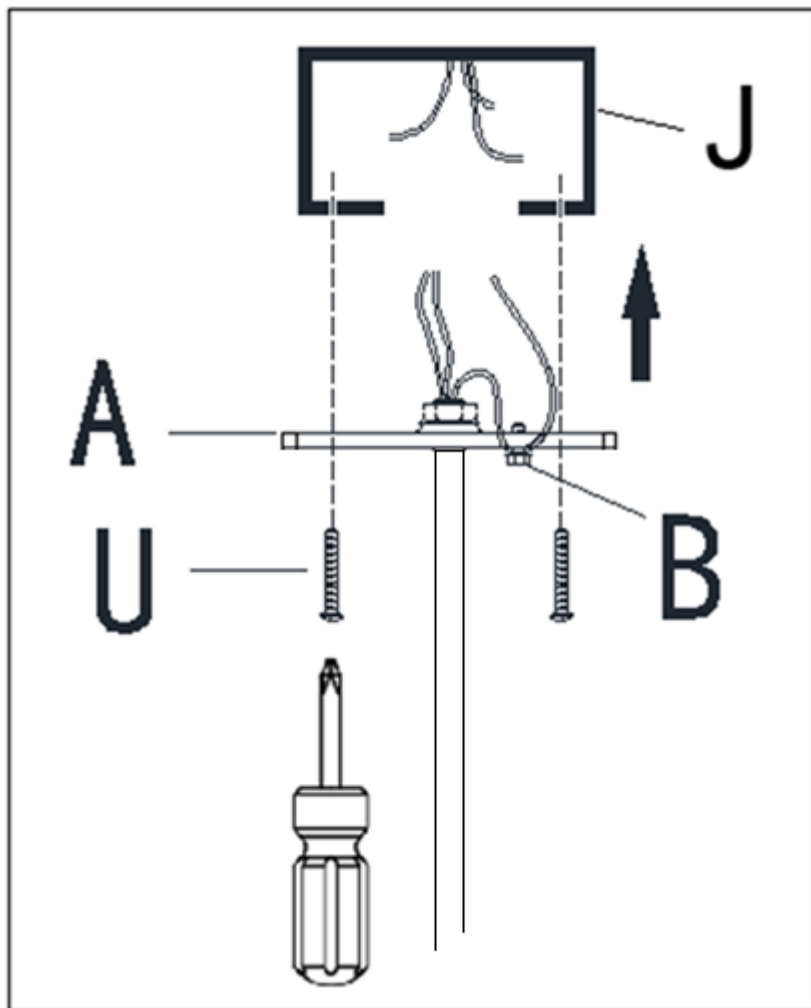


Assembly & Installation Instructions:

CEILING CONNECTIONS:

SHUT OFF THE MAIN ELECTRICAL SUPPLY FROM THE MAIN FUSE BOX/CIRCUIT BREAKER.

For a safe installation make sure that the electrical box is securely mounted to a structural member of the building.



1. With the help of another person to hold the weight of lighting fixture, attach the Crossbar/Mounting Plate (A) onto the junction box (J) using two Mounting Screws (U) supplied with the box. These fixtures are supplied with a unique crossbar. Most have curved slots in crossbar to allow fixtures to be squared to the room, regardless of position of screw holes in the electrical box.

2. NOTE that this fixture weighs approximately 50 lbs when fully assembled. Fixtures of this weight must have the crossbar attach to structural members of the ceiling in addition to the j-box. We recommend having a professional contractor make this connection to ensure sufficient structural support.

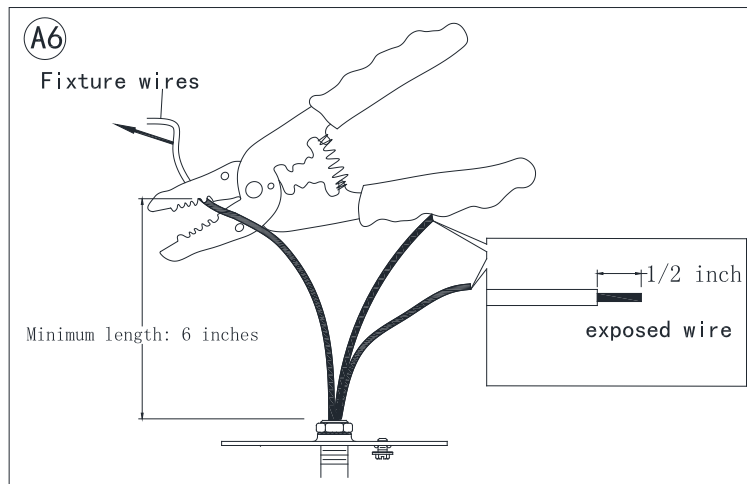
3. Make wiring connections in accordance with local electrical codes - see the "To Make Wire Connections" below and "Important Information" sections at the end of this packet.

To Make the Wire Connections:

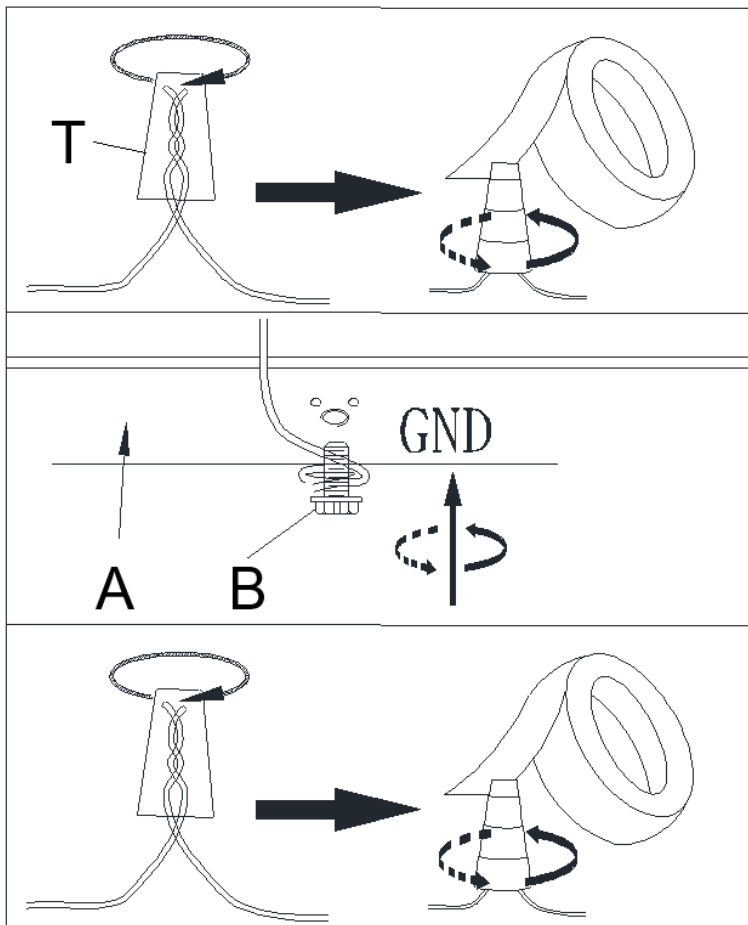
1. Gently pull existing wire down from the ceiling junction box and allow wires to hang. The HOT or LIVE wire is usually black. The NEUTRAL wire is usually white. Check to see if there is a ground wire that is usually green or green with a yellow stripe or exposed copper metal wire. If needed, use a pair of wire strippers to remove about 1/2 inch of insulation from each wire.
2. Carefully inspect the fixtures wires. The NEUTRAL FIXTURE WIRE either has FINE LONGITUDINAL RIDGES running along its length, or has white insulation. The HOT FIXTURE WIRE is SMOOTH, or has black insulation. The GROUND WIRE is BARE COPPER WIRE, or has green insulation. NOTE: some fixtures do not include a separate ground wire. If you have any doubt and cannot identify the power-supply wires with confidence, then we recommend that you ask an electrician and that you not continue with the installation.



(See A6) If needed, cut off the extra power cord length on the 2 wire cord and bare ground wire so that they all are at least 6 inches (152.4 mm) long within the outlet junction box (J-box).



3. With the help of another person to hold the weight of the fixture, attach the fixture wires to the junction box wires as shown in the illustrations.



Connect the GROUND FIXTURE WIRE to the GROUND J-BOX WIRE using the Plastic Wire Nut Connector (T) and wrap the connection with electrical tape. Be sure that no wire strands are exposed.

If the junction box DOES NOT have a GROUND WIRE, wrap the fixture's bare ground wire around the Green Ground Screw (B) and insert the screw into the Mounting Plate (A), marked as "GND", and tighten screw to secure the wire. NOTE: some fixtures do not include a separate ground wire.

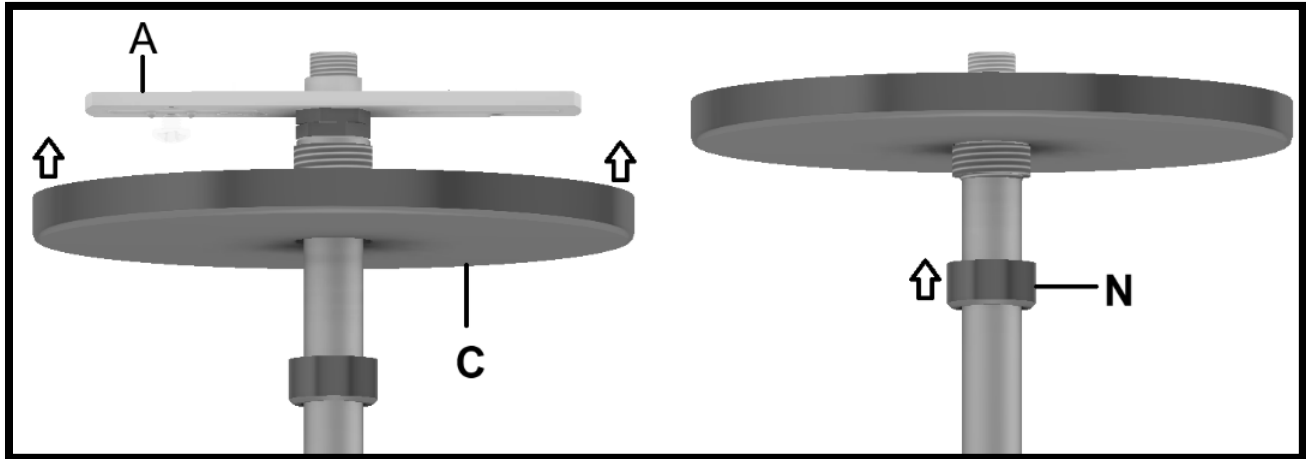
Connect the NEUTRAL FIXTURE WIRE to the NEUTRAL J-BOX WIRE first and then connect the HOT FIXTURE WIRE to the HOT J-BOX WIRE using the Plastic Wire Nut Connectors (T). Wrap these connections with electrical tape. Be sure that no wire strands are exposed.

NOTE:

**IT IS IMPERATIVE THAT THE JUNCTION BOX IN YOUR HOME BE PROPERLY GROUNDED!
DO NOT REVERSE THE HOT AND NEUTRAL CONNECTIONS OR SAFETY WILL BE COMPROMISED.**

4. Check the wiring connections and if all looks good, gently tuck the wire connections neatly into the ceiling junction box.

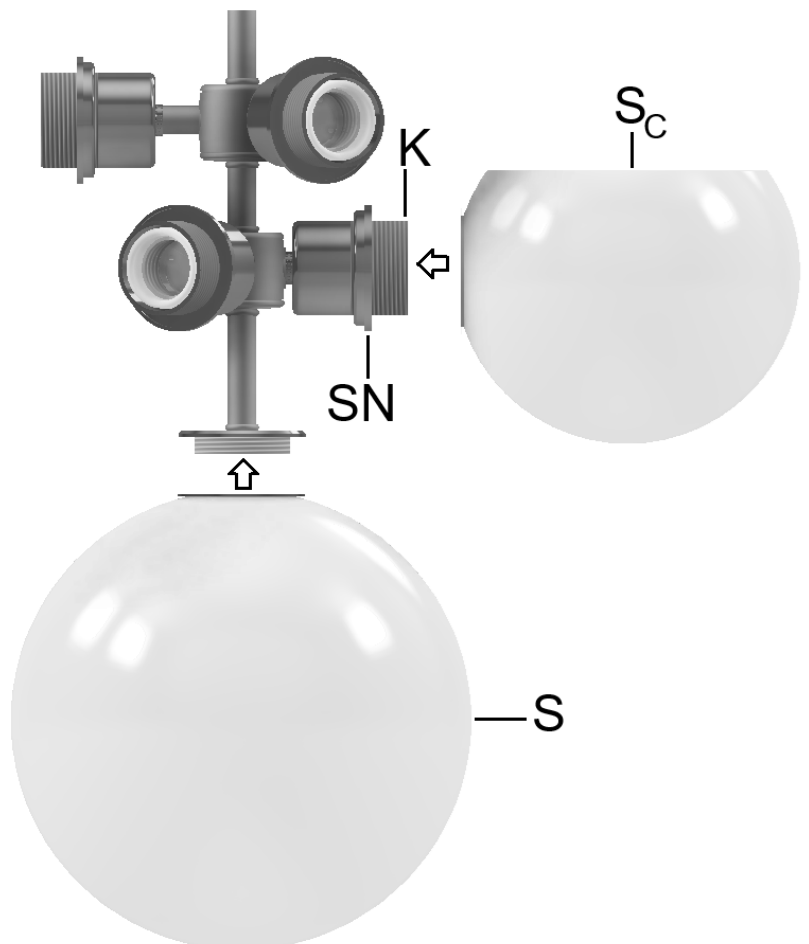
- Using caution not to scratch the tubing, slide the canopy (C) upwards until it touches the ceiling.
- Similarly slide the Canopy Nut (N) upwards until it reaches the threaded tubing. Thread on until it just stops.



Attach Inner Shades:

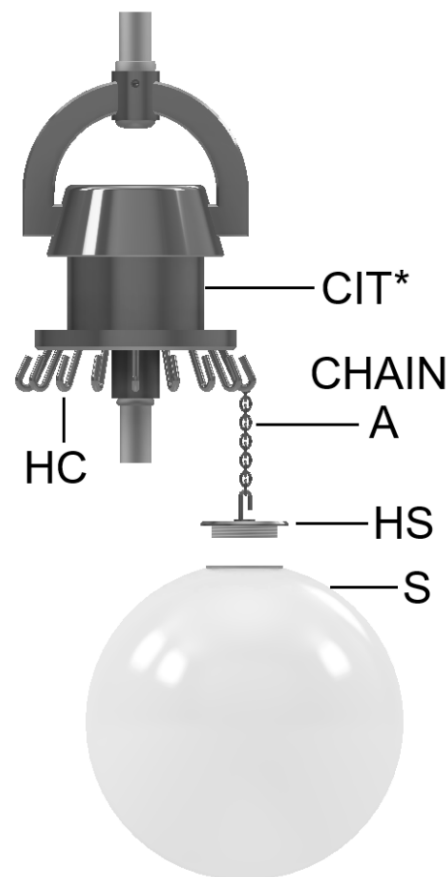
- With the fixture installed to the ceiling, locate the 6x Threaded Socket Cups (K). Ensure each of the 6x Socket Nuts (SN) are fully threaded onto the Socket Cups as shown until they just stop – do not over tighten.
- Starting with the BOTTOM row, thread on the Cut Shade (Sc) to the Socket Cup (K) until it just stops. If the flat cut edge is not facing up, back the shade out until it is flat.
- Now twist the Socket Nut (SN) back toward the shade until it just stops – this will hold the shade in position.
- Repeat for all 3x BOTTOM row shades.
- For the TOP row 3x shades you tighten the shade (Sc) on until it just stops or touches the closest glass shade, then lock the position with the Socket Nuts (SN). Do with for all 3x TOP row shades
- Once all cut shades are installed, thread on the first of the full Spherical Shades (S) on the bottom-most threaded fitter (without socket) until it just stops.

NOTE: You may now install light bulbs.



Attach Outer Decorative Shades:

- With the fixture installed to the ceiling, and the 7 inner shades in place it is now time to attach the decorative shades and chains. Locate the following components:
 - 6x “A” chains at 18” long each (Chain A)
 - 12x “B” chains at 16” long each (Chain B)
 - 12x “C” chains at 15” long each (Chain C)
 - 30x Shade Fitter Hooks (HS)
 - 30x Sphere Shades (S)
 - 1x Chain Index Table below (recommended/optional)
- Attach a Shade Fitter Hook (HS) to each unused Shade (S)



SPECIAL NOTES FOR THE FOLLOWING STEPS:

>TAKE EXTRA CARE NOT TO BUMP FRAGILE GLASS SHADES TOGETHER

>IN GENERAL TRY TO HANG SHADES ON THE CLOSEST CHAIN HOOK (HC) DIRECTLY INWARD FROM EACH SHADE TO REDUCE EXCESSIVE CROSSING OF CHAINS

CHAIN INDEX TABLE (CUTOUT):



1	19	7	30	18	6	24	10	25	15	3	21	11	28	14	2	20	8	29	17	5	23	9	26	16	4	22	12	27	13
C		B	C	B	A	C	B	C	B	A	C	B	C	B	A	C	B	C	B	A	C	B	C	B	A	C	B	C	B
A																													

- Since there are many suspended shades (30x) to hang on this fixture, it is best to install successive shades on opposite sides as you rotate around it - in order to prevent too much weight on one side of the fixture. For this reason, we provide the above “CHAIN INDEX TABLE” that can be cut out and temporarily taped to the fixture cylinder (see **CIT*** above) to use as a reference. The top row of the table indicates the order of which hook to attach a given shade to, and the bottom row indicates the length of chain that attaches to the given hook. You can use this table in conjunction with the “Decorative Shade Layer Image” below. Tape the Chain Index Table such that A1 starts there.

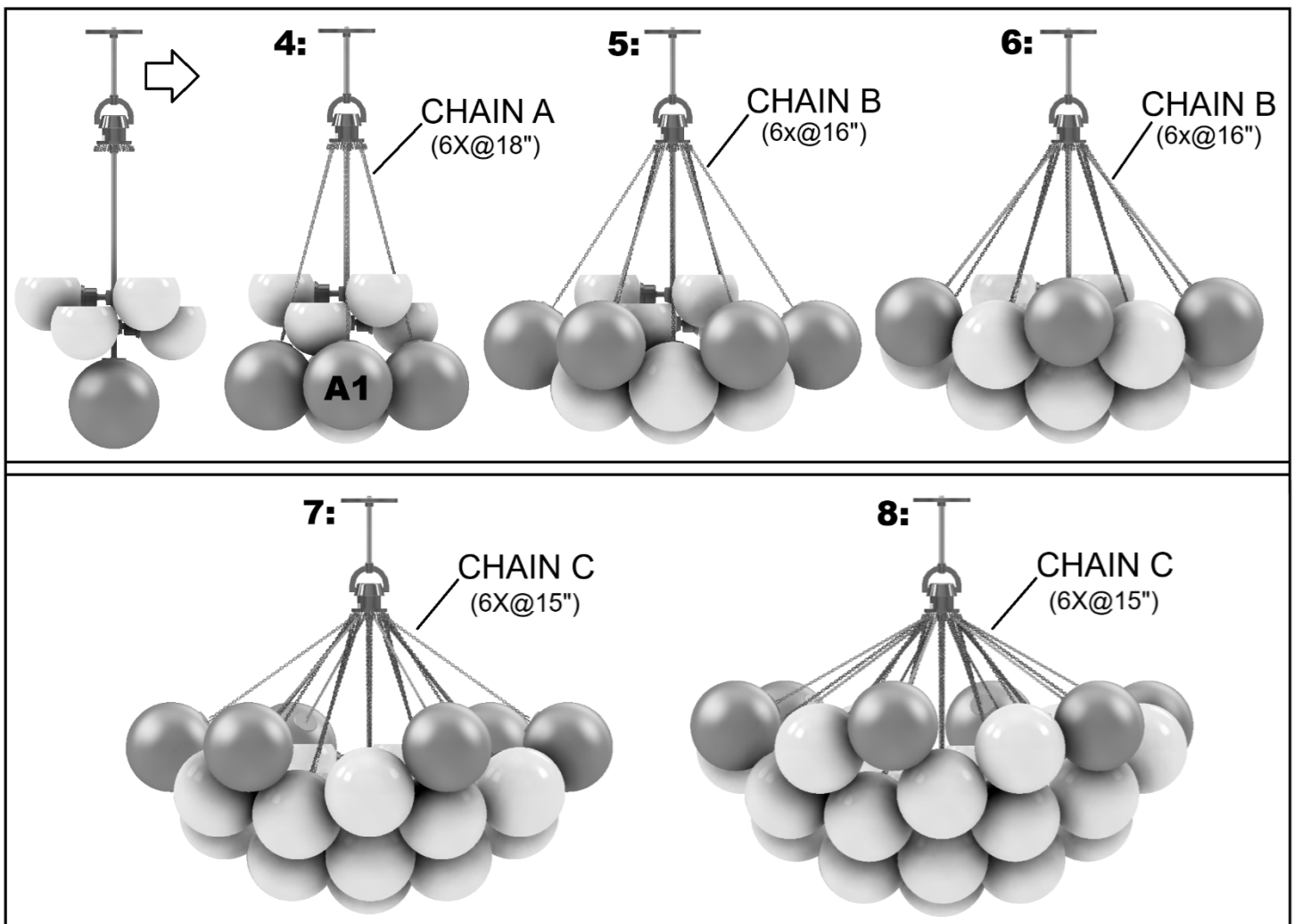
NOTE- the shade in the below image labeled “A1” indicates the first suspended shade to attach, and it should land with the chain resting in the valley between the two upper cut shades (Sc) as shown.

- Bottom/1st Shade Layer:** Using one of the **18in** chains (Chain A), attach one end to the shade hook (HS) and the other end to the Chain Hook (HC) at the center of the fixture. Start with shade “A1” per the image below. Working left to right, SKIP 4 HOOKS (HC) and attach the same chain (Chain A) with shade to every 5th hook on the fixture – 6 total in this layer.

[...]

5. **2nd Shade Layer:** Using one of the **16in** chains (Chain B), attach one end to the shade hook (HS) and the other end to the Chain Hook (HC) at the center of the fixture. Working left to right, **SKIP 4 HOOKS (HC)** and attach the same chain (CC) with shade to every 5th hook on the fixture – 6 total in this layer.
6. **3rd Shade Layer:** Using one of the **16in** chains (Chain B), attach one end to the shade hook (HS) and the other end to the Chain Hook (HC) at the center of the fixture. Working left to right, **SKIP 4 HOOKS (HC)** and attach the same chain (Chain C) with shade to every 5th hook on the fixture – 6 total in this layer.
7. **4th Shade Layer:** Using one of the **15in** chains (Chain C), attach one end to the shade hook (HS) and the other end to the Chain Hook (HC) at the center of the fixture. Working left to right, **SKIP 1 HOOKS (HC)** and attach the same chain (Chain C) with shade to every 5th hook on the fixture – 6 total in this layer.
8. **5th/Final Shade Layer:** Using one of the **15in** chains (Chain C), attach one end to the shade hook (HS) and the other end to the Chain Hook (HC) at the center of the fixture. Attach the remaining chains (Chain C) with shades to every empty hook on the fixture – 6 total in this final layer.

DECORATIVE SHADE LAYER IMAGE: ('A1' is first shade to attach, shades of each new step shown dark grey)

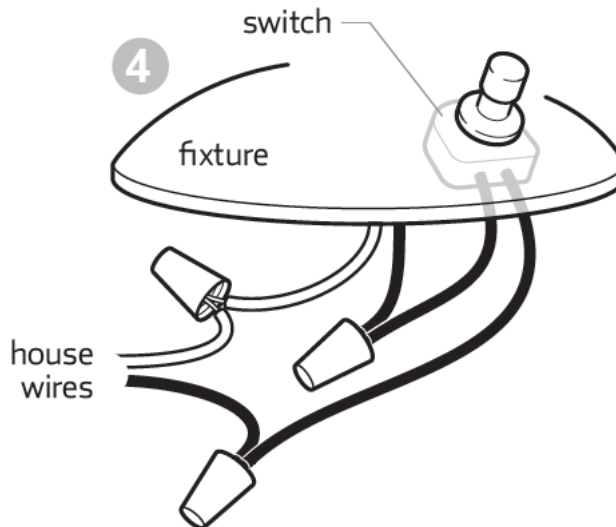


FINISHED!

IMPORTANT INFORMATION:

Please read before installing your fixture!

1. If your fixture has a switch in the canopy, connect one switch wire to the black (power) wire of the house, and the other to the black wire from the fixture.



2. When installing shades, do not over-tighten the screws holding them. The shade should be held securely, but still be able to be turned in the shade holder.
3. Only use light bulbs of the correct type and no greater wattage than specified for your fixture. Using higher wattage bulbs or certain “decorator” type bulbs will shorten the life of the fixture and may create a fire hazard.
4. Turn off the power to the fixture at the wall or canopy switch before installing light bulbs.
5. If your fixture has become slightly misaligned during shipping you can often “tweak” it back into alignment with a gentle twist. If this doesn’t work, give us a call for further advice.
6. If your fixture has a UL Wet Location Rating, additional precautions need to be taken. Fixtures with glass shades must be installed shade up. All supplied rubber washers must be installed between screw heads and the fixture canopy. After installation, all wet location fixtures must be caulked with suitable RTV or silicone caulking around the top, sides and bottom of the fixture where they contact the wall, and the top sides, and bottom of the joint between the canopy and the body of the fixture. Drain holes in fixture should be routinely cleaned to prevent an accumulation of water.

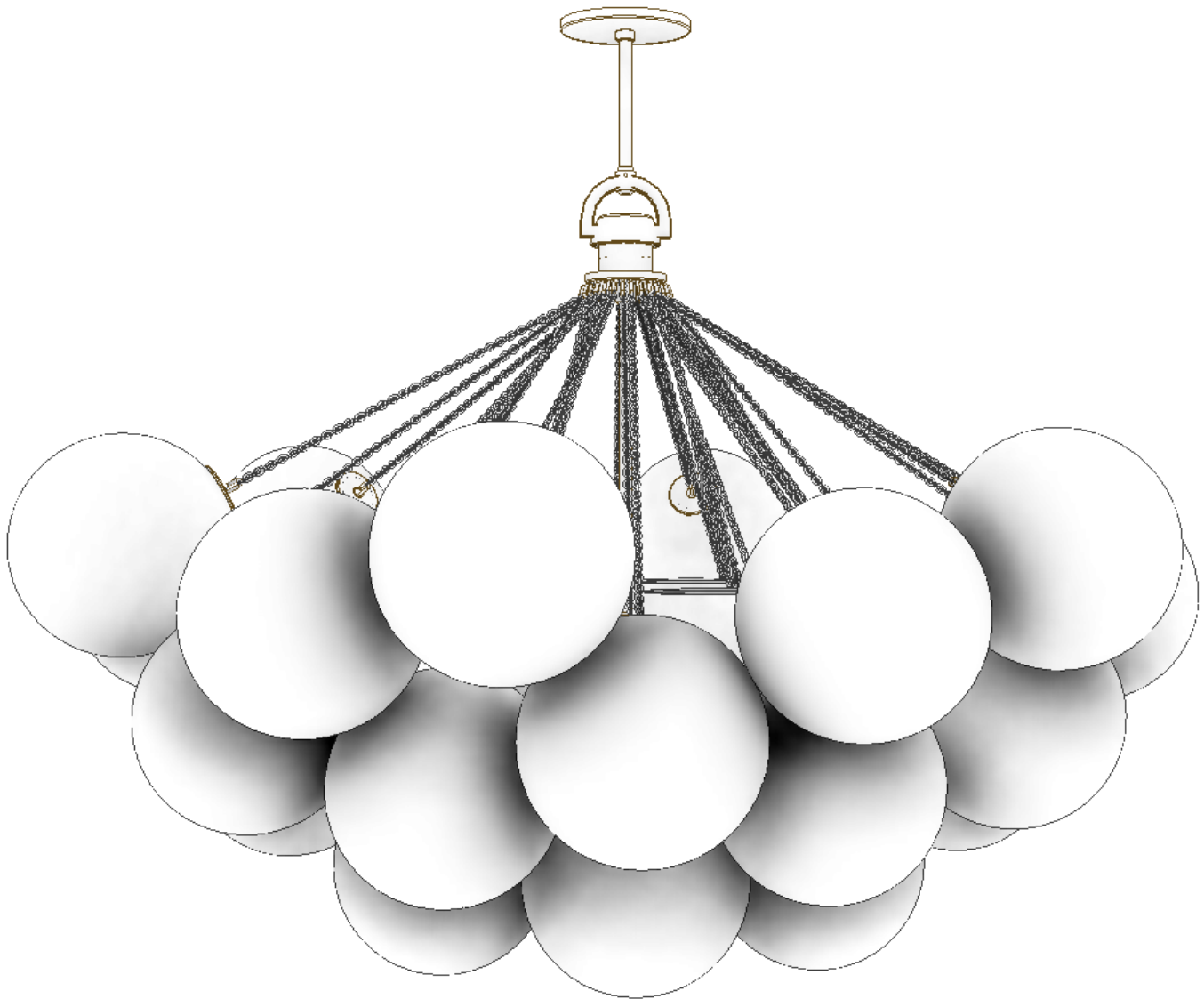
*If you have any doubts about how to install a light fixture, or if a fixture fails to operate properly, please contact a local licensed electrician.

Care instructions:

- Wipe clean with a soft, dry cloth or static duster.
- Always avoid the use of harsh chemicals or abrasive cleaners as they may cause damage to the fixture’s finish.

PLEASE KEEP OR RECYCLE THESE INSTRUCTIONS





CANDELABRO GRANDE ARLO

INSTRUCCIONES DE ENSAMBLAJE

(Z103673)

PRECAUCIÓN:

- **ANTES DE INSTALAR ESTA LUMINARIA, ASEGURARSE DE QUE LA ALIMENTACIÓN AL CIRCUITO ESTÉ DESACTIVADA EN LA CAJA DE FUSIBLES/DISYUNTOR DE LA CAJA PRINCIPAL DE SUMINISTRO.**

Instrucciones de seguridad importantes:

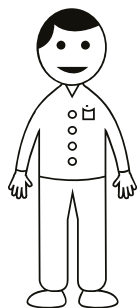
- Estas instrucciones se brindan para su seguridad. Es muy importante leerlas atentamente y por completo antes de comenzar el ensamblaje e instalación de este accesorio de iluminación.
- Se recomienda que un electricista profesional instale todas las luminarias que deben conectarse directamente al suministro eléctrico.
- ESTE PRODUCTO DEBE INSTALARSE DE ACUERDO CON LOS CORRESPONDIENTES CÓDIGOS DE INSTALACIÓN Y DEBE HACERLO UNA PERSONA FAMILIARIZADA CON LA CONSTRUCCIÓN Y EL FUNCIONAMIENTO DEL PRODUCTO Y CON LOS RIESGOS QUE IMPLICA.
- El accesorio de iluminación está destinado al uso en interiores. Debe conectarse solamente a sistemas de suministro eléctrico trifilares y monofásicos (que tengan un sistema de protección de cable de conexión a tierra o un sistema equivalente).
- Para su seguridad, se recomienda que participen dos personas en la instalación del accesorio de iluminación.
- Esta luminaria admite **bombillas incandescentes de base mediana (E26) de hasta 75 vatios como máximo** (no se incluyen). Para evitar el riesgo de incendio, no exceder la potencia recomendada para la lámpara.
- El accesorio de iluminación está destinado al uso en interiores, ÚNICAMENTE EN AMBIENTES SECOS o HÚMEDOS.
- **Guardar estas instrucciones.**

ADVERTENCIA:

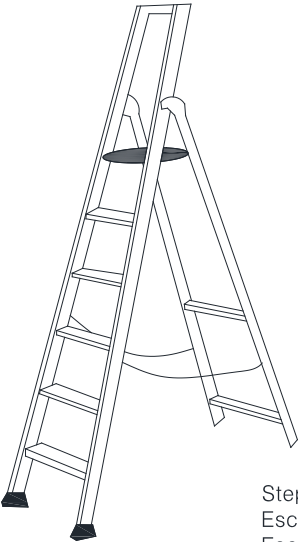
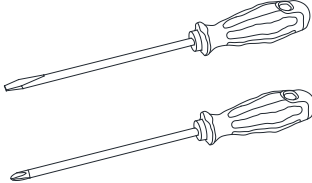
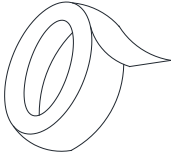
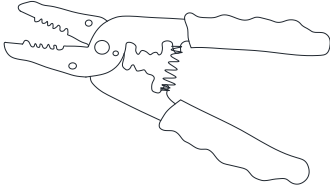
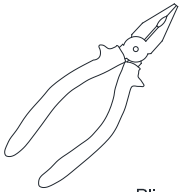
- **Para reducir el riesgo de incendio, descarga eléctrica o lesión personal, siempre apague el accesorio de iluminación y deje que se enfríe antes de cambiar la bombilla.**
- **No tocar la bombilla cuando la luminaria está encendida. No mirar directamente a la bombilla encendida.**
- **Mantener los materiales inflamables lejos de la bombilla encendida.**
- **Este accesorio de iluminación contiene plomo, un químico reconocido en el Estado de California por causar cáncer, defectos de nacimiento y otros daños a nivel reproductivo. Lavarse las manos después de instalar, manipular, limpiar o tocar este accesorio de iluminación.**

Preensamblaje:

- Quitar todas las partes y piezas de ferretería de la caja junto con cualquier empaque de protección plástico.
- Para evitar desechar accidentalmente los accesorios o las piezas de ferretería, no tirar el embalaje o contenido de la caja hasta que el ensamblaje esté completo.
- Para su seguridad y comodidad, se recomienda que dos personas realicen el ensamblaje.



HERRAMIENTAS NECESARIAS (no incluidas):

 <p>Step Ladder Escabeau Escalera</p>	 <p>Phillips Head, Flat Blade Screwdrivers Tournevis à tête Phillips et à tête plate Destornilladores Cabeza Phillips y Destornilladores Cabeza Plana</p>	 <p>Electrical tape Ruban isolant Cinta Electrica.</p>
	 <p>Wire Cutter/Stripper Pince coupe-fil/ à dénudé Cortador de Cable</p>	 <p>Plier Pince Alicates</p>

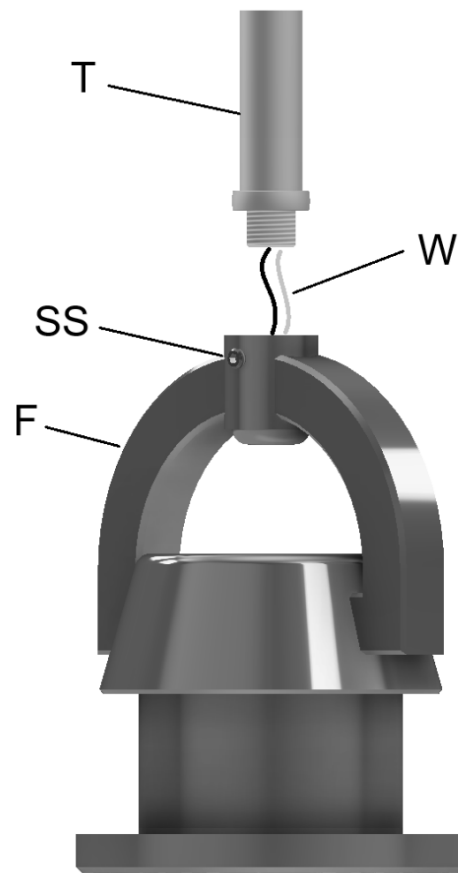
MATERIALES NECESARIOS:

- Conectores de cables (no se incluyen: el tamaño depende del número y el tamaño de los cables que se unen).
- Tornillos de montaje de la barra transversal. Estos se deben suministrar con la caja de conexiones/caja eléctrica. Si necesita reemplazarlos, pruebe 8-32 x 3/4" o más largos.

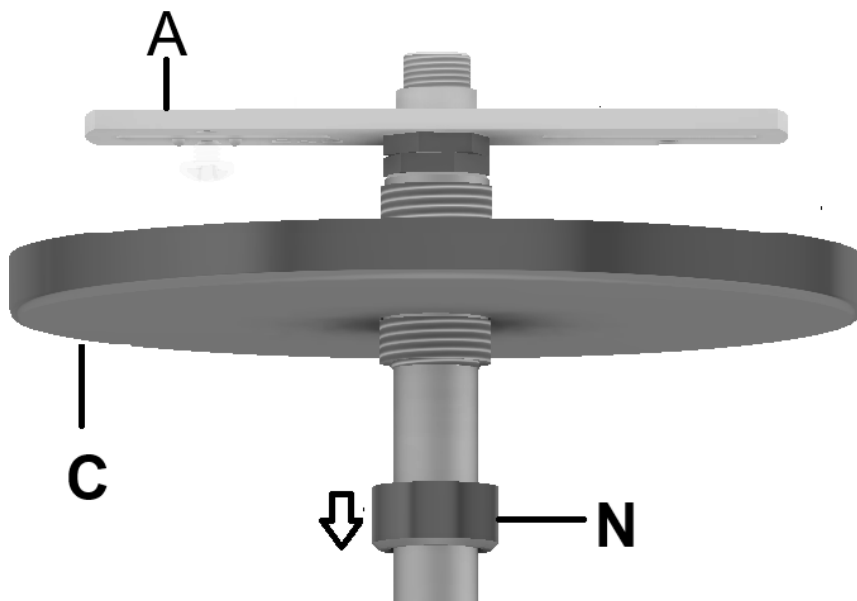
COLOCAR EL TUBO DE BAJADA EN LA LUMINARIA:

Si el ensamblaje del tubo y el florón no está fijado al llegar

1. Pasar los cables de la luminaria inferior (F) al ensamblaje del tubo y el florón (T) hasta que los cables pasen a través del extremo opuesto del tubo.
2. Ubicar el tornillo de fijación (SS) en la luminaria y aflojar con la llave Allen provista.
3. Atornillar el tubo superior (T) en la luminaria (F) hasta que se detenga.
4. Ajustar el tornillo de fijación (SS) hasta que se detenga, para trabar el tubo en su posición.



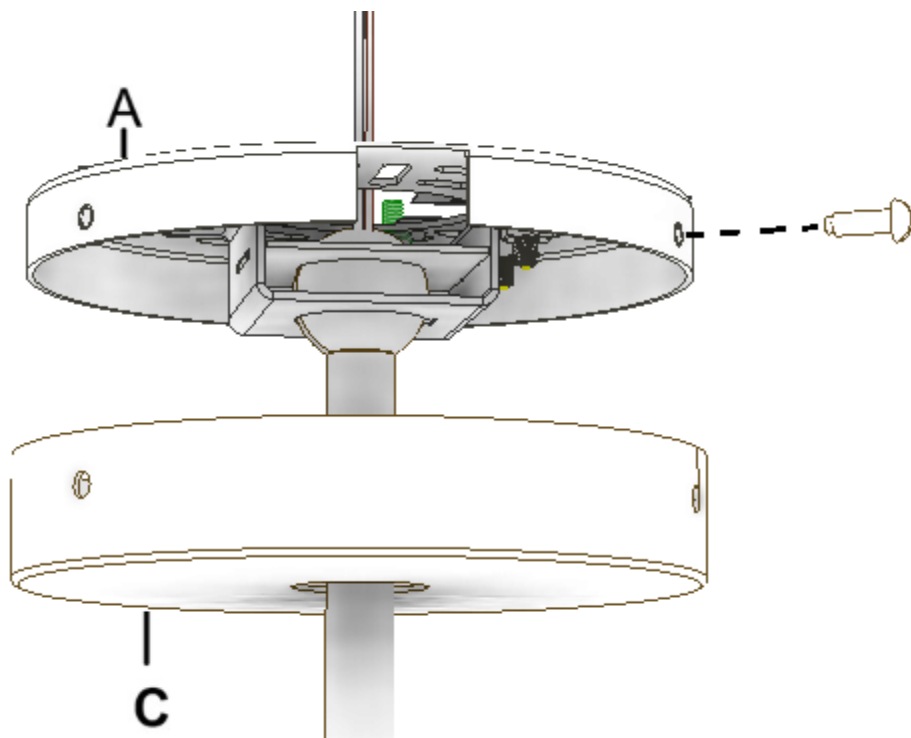
EXPONER LA BARRA TRANSVERSAL (A):



Con cuidado de no rayar el acabado del tubo, aflojar la tuerca del florón (N), luego deslizar la tuerca y el florón (C) hacia abajo hasta que se ubiquen temporalmente en la parte superior de la luminaria.

EXPONER LA BARRA TRANSVERSAL - SOLO PARA PEDIDOS DE FLORÓN

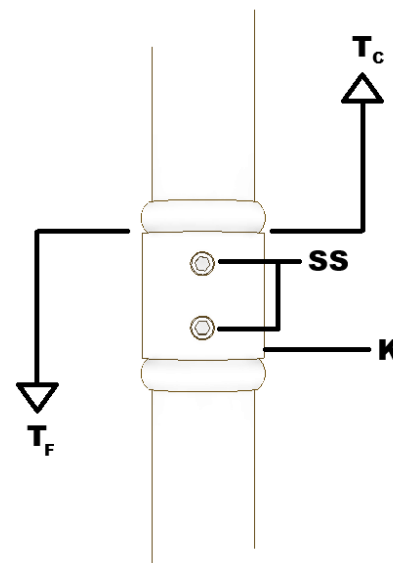
ABOVEDADO:



Quitar los 3 tornillos del florón en el lateral de la barra transversal con un destornillador de cabeza plana. Con cuidado de no rayar el acabado del tubo, deslizar el florón (C) hacia abajo hasta que se ubique temporalmente en la parte superior de la luminaria.

SOLO PARA LUMINARIAS EXTRA LARGAS:

Para las luminarias de más de una determinada longitud, recibirá el tubo de bajada (T) en dos secciones con un acoplamiento (K) en el medio para conectarlos. El tubo superior (T_C) que se conecta al florón/barra transversal, y el tubo inferior (T_F) que se conecta al acoplamiento en la luminaria. Primero pasar el cable por el tubo inferior (T_F) y luego por el tubo superior (T_C). Luego conectar los tubos juntos y asegurar con los dos tornillos de fijación (SS) con la llave Allen proporcionada. Continuar con el paso 2 anterior.

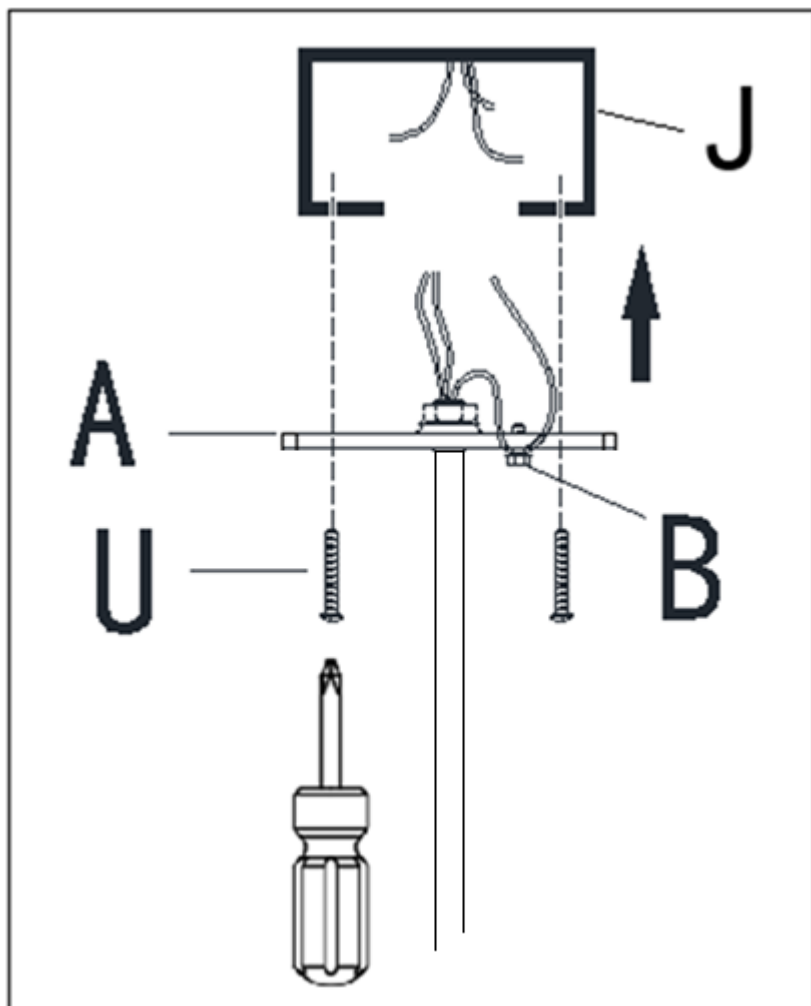


Instrucciones de ensamblaje e instalación:

CONEXIONES DEL TECHO:

CIERRE EL SUMINISTRO ELÉCTRICO PRINCIPAL DE LA CAJA DE FUSIBLES/INTERRUPTOR DE CIRCUITO PRINCIPALES.

Para una instalación segura, comprobar que la caja eléctrica esté montada de forma segura en un miembro estructural del edificio.



1. Con la ayuda de otra persona para que sostenga el peso del accesorio de iluminación, fijar la barra transversal/placa de montaje (A) en la caja de conexiones (J) con dos tornillos de montaje (U) que se suministran con la caja. Estas luminarias se suministran con una barra transversal única. La mayoría tiene ranuras curvas en la barra transversal para permitir que las luminarias queden alineadas con la habitación, independientemente de la posición de los orificios de los tornillos en la caja eléctrica.

2. NOTA: esta luminaria pesa aproximadamente 50 libras cuando está totalmente ensamblada. Las luminarias que superen este peso deben tener la barra transversal fijada a los miembros estructurales del techo además de la caja de conexiones. Recomendamos que un contratista profesional haga esta conexión para asegurar un soporte estructural suficiente.

3. Realizar las conexiones de los cables de acuerdo con los códigos eléctricos locales. Ver las secciones “Para realizar las conexiones de los

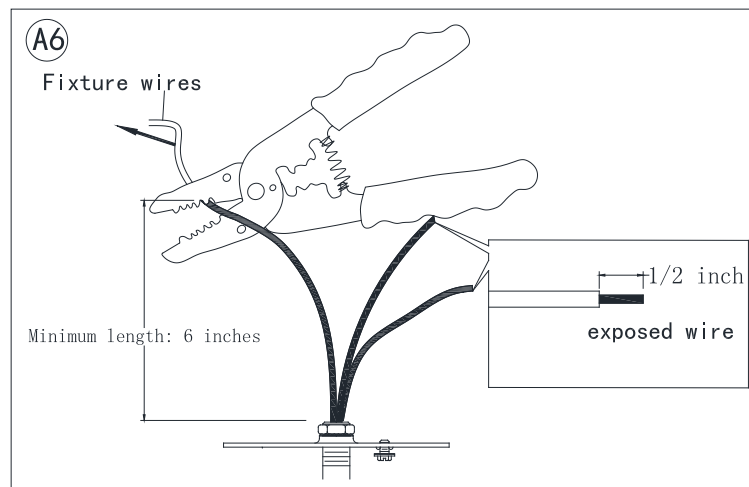
cables” debajo e “Información importante” al final de este paquete.

Para hacer las conexiones de los cables:

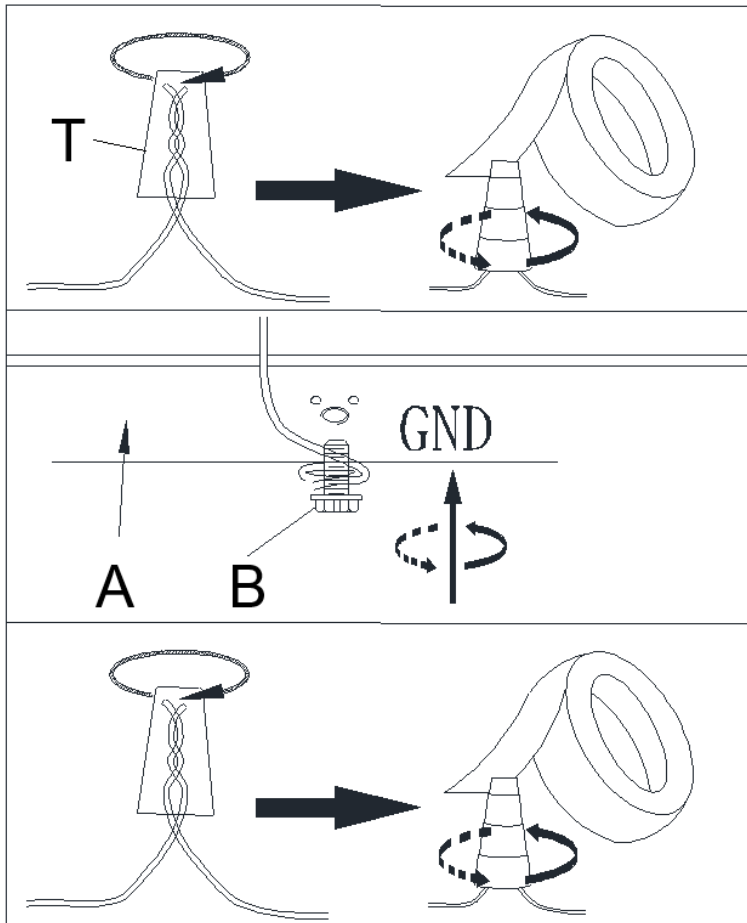
1. Con cuidado, tirar del cable existente hacia abajo de la caja de conexiones del techo y dejar que cuelguen los cables. El cable CALIENTE o CON CORRIENTE suele ser negro. El cable NEUTRO suele ser blanco. Revisar si hay un cable a tierra que suele ser verde o verde con una línea amarilla o un cable metálico de cobre al descubierto. Si fuera necesario, utilizar un pelacables para retirar 1/2 pulgada del aislamiento de cada cable.
2. Con cuidado, inspeccionar los cables de la luminaria. El CABLE NEUTRO DEL ARTEFACTO tiene BORDES LONGITUDINALES LISOS a su largo o tiene un aislamiento blanco. El CABLE CALIENTE DEL ARTEFACTO es SUAVE o tiene un aislamiento negro. El CABLE DE CONEXIÓN A TIERRA es un CABLE DE COBRE PELADO, o tiene un aislamiento verde. NOTA: algunas luminarias no incluyen un cable a tierra separado. Ante la presencia de cualquier duda que impida identificar con seguridad los cables del suministro eléctrico, se recomienda interrumpir la instalación y consultar con un electricista.



(Ver A6) Si fuera necesario, cortar el sobrante del cable de electricidad doble y el cable descubierto de conexión a tierra para que ambos tengan por lo menos 6 pulgadas (152,4 mm) de longitud dentro de la caja de conexiones de la toma eléctrica (J-box).



3. Con la ayuda de otra persona para sostener el peso de la luminaria, unir los cables de la luminaria a los cables de la caja de conexiones como se muestra en las ilustraciones.



Conectar el CABLE DE CONEXIÓN A TIERRA DEL ARTEFACTO con el CABLE DE CONEXIÓN A TIERRA DE LA CAJA DE CONEXIONES utilizando el conector de tuerca para cables de plástico (T) y envolver la conexión con cinta aislante. Asegurarse de que no quede al descubierto ningún cordón de cable.

Si la caja de conexiones NO tiene un CABLE A TIERRA, envolver el tornillo de conexión a tierra color verde (B) con el cable a tierra de la luminaria, insertar el tornillo en la placa de montaje (A), donde se encuentra la marca "GND", y ajustar el tornillo para asegurar el cable. NOTA: algunas luminarias no incluyen un cable a tierra separado.

Conectar primero el CABLE NEUTRO DEL ARTEFACTO con el CABLE NEUTRO DE LA CAJA DE CONEXIONES y luego conectar el CABLE CALIENTE DEL ARTEFACTO con el CABLE CALIENTE DE LA CAJA DE CONEXIONES utilizando los conectores de tuerca para cables de plástico (T). Envolver estas

conexiones con cinta aislante. Asegurarse de que no quede al descubierto ningún cordón de cable.

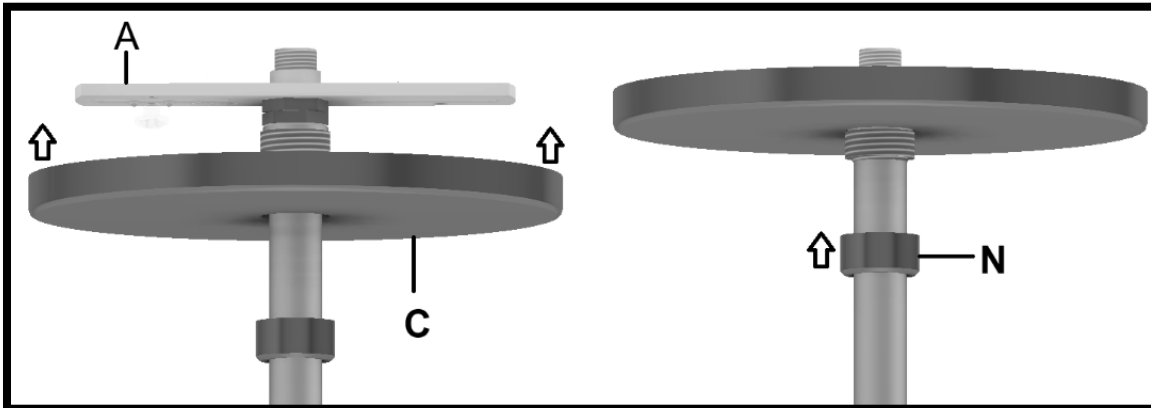
NOTA:

¡ES FUNDAMENTAL QUE LA CAJA DE CONEXIONES DE SU HOGAR ESTÉ CORRECTAMENTE CONECTADA A TIERRA!

NO INVERTIR LAS CONEXIONES DE LOS CABLES DE CORRIENTE Y NEUTRO O COMPROMETERÁ LA SEGURIDAD.

4. Revisar las conexiones de los cables y, si todo parece estar bien, colocar de manera prolija y con cuidado las conexiones de los cables dentro de la caja de conexiones del techo.

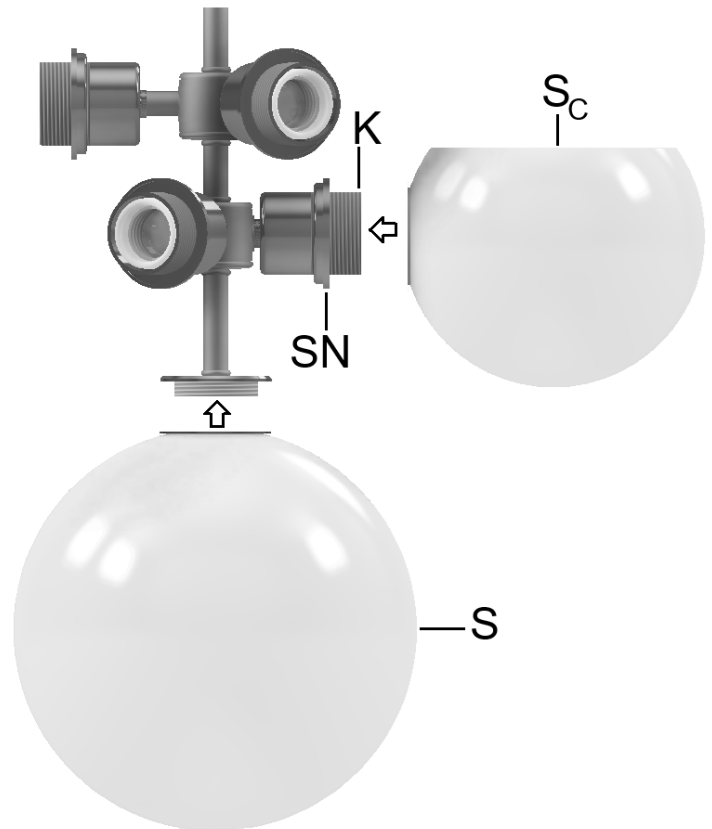
- Con cuidado de no rayar el tubo, deslizar el florón (C) hacia arriba hasta que toque el techo.
- De manera similar, deslizar la tuerca del florón (N) hacia arriba hasta que alcance el tubo roscado. Enroscar hasta que se detenga.



Colocar las pantallas internas:

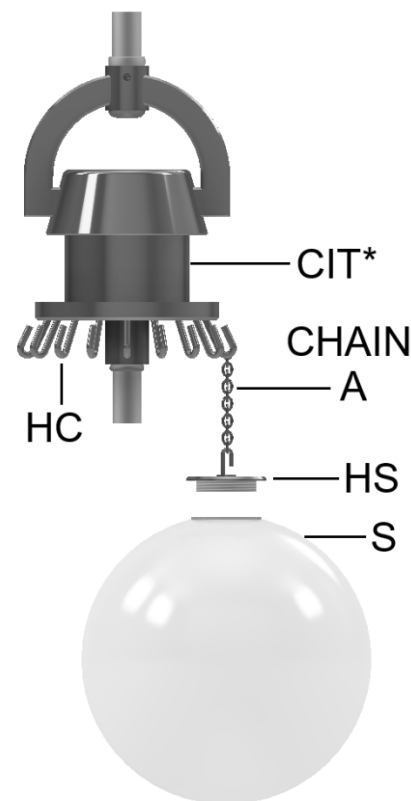
- Con la luminaria instalada en el techo, ubicar los 6x portalámparas roscados (K). Asegurarse de que cada una de las 6x tuercas del portalámparas (SN) estén completamente enroscadas en las tazas del portalámparas como se muestra hasta que se detengan. No ajustar demasiado.
- Comenzando con la fila INFERIOR, enroscar la pantalla de corte (Sc) en la taza del portalámparas (K) hasta que se detenga. Si el borde de corte plano no mira hacia arriba, girar la pantalla hacia afuera hasta que quede plano.
- Ahora girar la tuerca del portalámparas (SN) hacia la pantalla hasta que se detenga. Esto mantendrá la pantalla en su lugar.
- Repetir el procedimiento para todas las 3x pantallas de la fila INFERIOR.
- Para las 3x pantallas de la fila SUPERIOR, ajustar la pantalla (Sc) hasta que se detenga o toque la pantalla de vidrio más cercana, luego bloquear la posición con las tuercas del portalámparas (SN). Hacerlo para todas las 3x pantallas de la fila SUPERIOR.
- Una vez que todas las pantallas cortadas estén instaladas, enroscar la primera de las pantallas esféricas completas (S) en el ajustador roscado más inferior (sin el portalámparas) hasta que se detenga.

NOTA: Ahora puede instalar bombillas.



Fijar las pantallas decorativas externas:

- Con la luminaria instalada en el techo y las 7 pantallas internas en su lugar, ahora es el momento de fijar las pantallas decorativas y las cadenas. Localizar los siguientes componentes:
 - 6x cadenas “A” de 18” de largo cada una (cadena A)
 - 12x cadenas “B” de 16” de largo cada una (cadena B)
 - 12x cadenas “C” de 15” de largo cada una (cadena C)
 - 30x ganchos para colocar la pantalla (HS)
 - 30x pantallas esféricas (S)
 - 1x Tabla de índice de cadena debajo (recomendado/opcional)
- Fijar un gancho para ajustar la pantalla (HS) a cada pantalla sin usar (S)



NOTAS ESPECIALES PARA LOS SIGUIENTES PASOS:

>TENER CUIDADO ADICIONAL DE NO GOLPEAR LAS PANTALLAS DE VIDRIO FRÁGILES ENTRE SÍ

>EN GENERAL INTENTAR COLGAR LAS PANTALLAS EN EL GANCHO DE LA CADENA (HC) MÁS CERCANO DIRECTAMENTE HACIA ADENTRO DE CADA PANTALLA PARA REDUCIR EL EXCESO DE CRUCE DE LAS CADENAS



TABLA DE ÍNDICE DE CADENA (RECORTE):

1	19	7	30	18	6	24	10	25	15	3	21	11	28	14	2	20	8	29	17	5	23	9	26	16	4	22	12	27	13
A	C	B	C	B	A	C	B	C	B	A	C	B	C	B	A	C	B	C	B	A	C	B	C	B	A	C	B	C	B

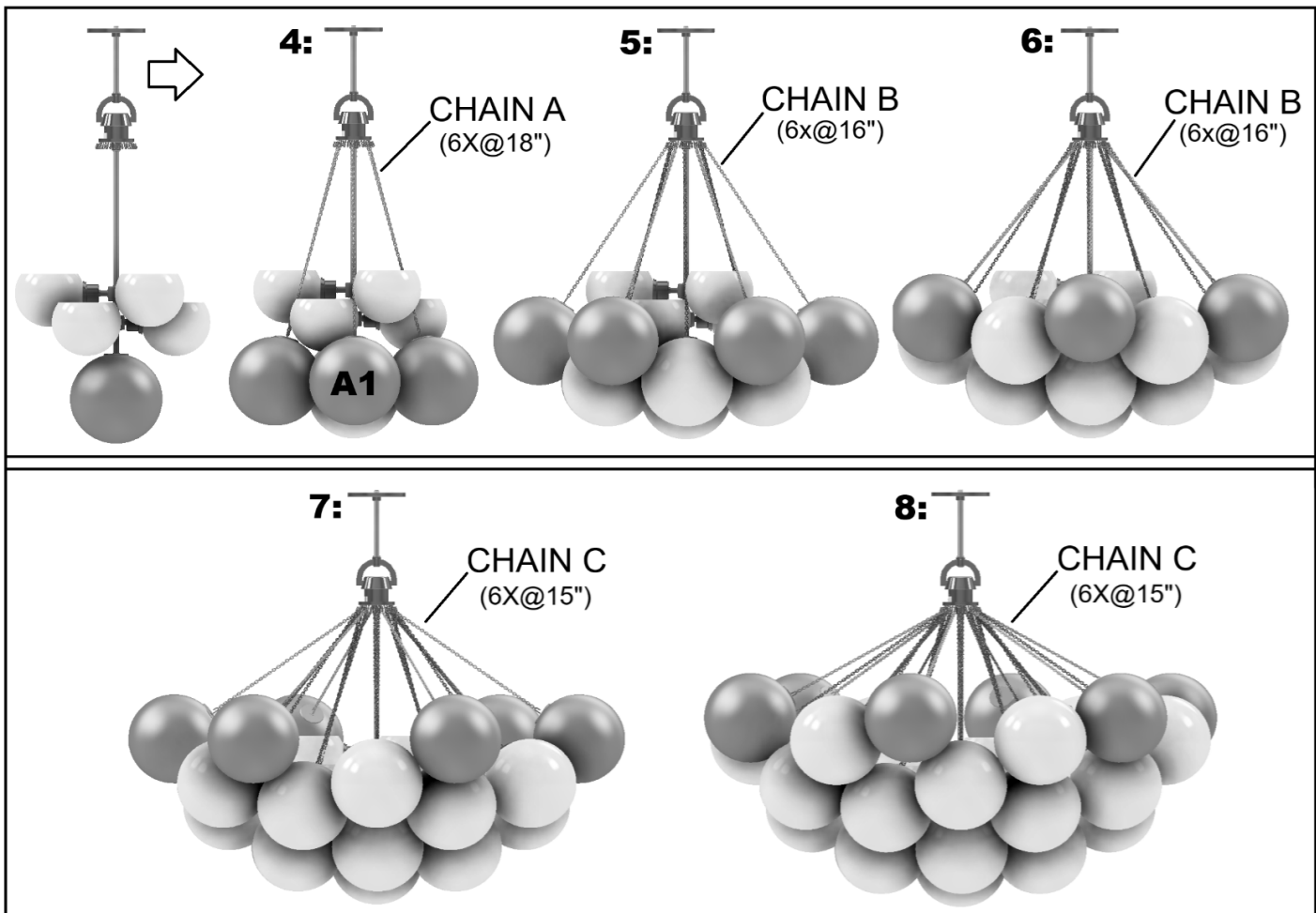
- Dado que hay muchas pantallas suspendidas (30x) para colgar en esta luminaria, es mejor instalar las pantallas sucesivas en los lados opuestos a medida que gira alrededor para evitar que quede demasiado peso en un lado de la luminaria. Por este motivo, proporcionamos la “TABLA DE ÍNDICE DE CADENA” anterior que se puede cortar y colocar con cinta temporalmente en el cilindro de la luminaria (ver **CIT*** arriba) para usar como referencia. La fila superior de la tabla indica el orden en que se debe colocar una pantalla en un gancho en particular, y la fila inferior indica la longitud de la cadena que se conecta al gancho. Se puede usar esta tabla junto con la “Imagen de la capa de pantalla decorativa” debajo. Colocar cinta en la tabla de índice de cadenas de forma tal que A1 comience allí.

NOTA: la pantalla en la imagen de abajo etiquetada “A1” indica la primera pantalla suspendida que se debe fijar, y debe caer con la cadena apoyada en el valle entre las dos pantallas de corte superiores (Sc), como se muestra.

- Primera capa/capa inferior de la pantalla:** Usar una de las cadenas de **18 pulgadas** (cadena A), fijar un extremo al gancho de la pantalla (HS) y el otro extremo al gancho de la cadena (HC) en el centro de la luminaria. Comenzar con la pantalla “A1” según la imagen de abajo. Trabajando de izquierda a derecha, **SALTAR 4 GANCHOS (HC)** y fijar la misma cadena (cadena A) con la pantalla cada 5 ganchos en la luminaria, 6 en total en esta capa. [...]

5. **Segunda capa de la pantalla:** Con una de las cadenas de **16 pulgadas** (cadena B), fijar un extremo al gancho de la pantalla (HS) y el otro extremo al gancho de la cadena (HC) en el centro de la luminaria. Trabajando de izquierda a derecha, OMITIR 4 GANCHOS (HC) y fijar la misma cadena (CC) con la pantalla cada 5 ganchos en la luminaria, 6 en total en esta capa.
6. **Tercera capa de la pantalla:** Con una de las cadenas de **16 pulgadas** (cadena B), fijar un extremo al gancho de la pantalla (HS) y el otro extremo al gancho de la cadena (HC) en el centro de la luminaria. Trabajando de izquierda a derecha, OMITIR 4 GANCHOS (HC) y fijar la misma cadena (Cadena C) con la pantalla cada 5 ganchos en la luminaria, 6 en total en esta capa.
7. **Cuarta capa de la pantalla:** Usar una de las cadenas de **15 pulgadas** (cadena C), fijar un extremo al gancho de la pantalla (HS) y el otro extremo al gancho de la cadena (HC) en el centro de la luminaria. Trabajando de izquierda a derecha, OMITIR 1 GANCHO (HC) y fijar la misma cadena (Cadena C) con la pantalla cada 5 ganchos en la luminaria, 6 en total en esta capa.
8. **Quinta capa final de la pantalla:** Usar una de las cadenas de **15 pulgadas** (cadena C), fijar un extremo al gancho de la pantalla (HS) y el otro extremo al gancho de la cadena (HC) en el centro de la luminaria. Fijar las cadenas restantes (Cadena C) con las pantallas a cada gancho vacío en la luminaria, 6 en total en esta capa final.

IMAGEN DE LA CAPA DECORATIVA DE LA PANTALLA: (*'A1' es la primera pantalla para colocar, las pantallas de cada paso nuevo se muestran en gris oscuro*)

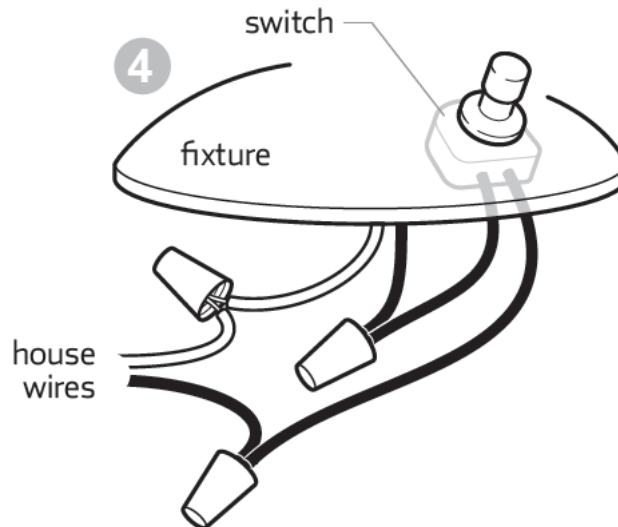


HA TERMINADO.

INFORMACIÓN IMPORTANTE:

¡Leer antes de instalar la luminaria!

1. Si la luminaria tiene un interruptor en el florón, conectar un cable del interruptor al cable negro (alimentación) de la casa y el otro al cable negro de la luminaria.



2. Al instalar las pantallas, no ajustar demasiado los tornillos que las sostienen. La pantalla se debe sostener de forma segura, pero se debe poder girar en el soporte de la pantalla.
3. Solamente usar bombillas del tipo correcto y que no excedan la potencia especificada para su luminaria. Usar bombillas de más potencia o ciertas bombillas de tipo “decorador” acortará la vida útil de la luminaria y puede crear un riesgo de incendio.
4. Apagar la luminaria desde el interruptor en la pared o el interruptor del florón antes de instalar las bombillas.
5. Si la luminaria quedara levemente desalineada durante el envío, a menudo se puede “ajustar” nuevamente y alinearla con un giro suave. Si esto no funciona, llámenos para pedir más asesoramiento.
6. Si su luminaria tiene una clasificación de ubicación húmeda UL, se deben tomar precauciones adicionales. Las luminarias con pantallas de vidrio se deben instalar con la pantalla hacia arriba. Todas las arandelas de goma proporcionadas se deben instalar entre las cabezas de los tornillos y el florón de la luminaria. Después de la instalación, todas las luminarias que se ubiquen en un lugar con humedad se deben sellar con masilla RTV o silicona adecuada alrededor de la parte superior, los lados y la parte inferior de la luminaria donde hace contacto con la pared, los lados superiores y la parte inferior de la unión entre el florón y el cuerpo de la luminaria. Los orificios de drenaje de la luminaria se deben limpiar de forma rutinaria para evitar la acumulación de agua.

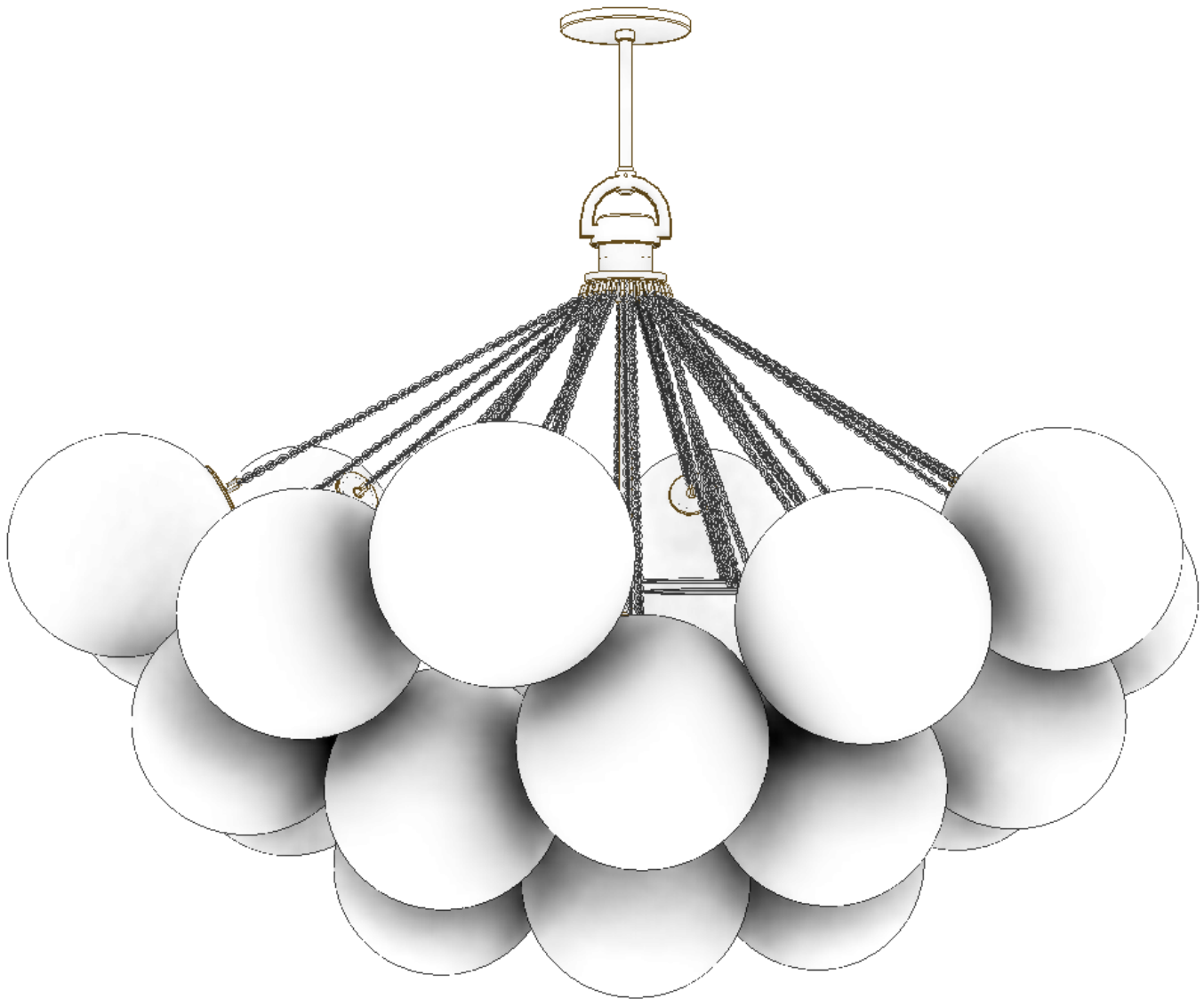
*Si tiene alguna duda acerca de cómo instalar una luminaria, o si un accesorio de iluminación no funciona correctamente, comuníquese con un electricista con licencia local.

Instrucciones de cuidado:

- Limpiar con un paño seco y suave o un plumero.
- Evitar siempre el uso de químicos fuertes o limpiadores abrasivos, ya que pueden causar daños al acabado de la luminaria.

GUARDAR O RECICLAR ESTAS INSTRUCCIONES





GRAND LUSTRE ARLO

INSTRUCTIONS D'ASSEMBLAGE

(Z103673)

MISE EN GARDE:

- **AVANT D'INSTALLER LE LUMINAIRE, S'ASSURER QUE LE COURANT EST COUPÉ À LA BOÎTE À FUSIBLES/COUPE-CIRCUIT PRINCIPAL.**

Consignes de sécurité importantes :

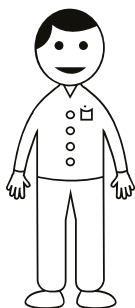
- Ces instructions sont fournies pour des raisons de sécurité. Les lire attentivement et intégralement avant de commencer l'assemblage et l'installation de ce luminaire.
- Nous recommandons fortement qu'un électricien qualifié installe tous les luminaires à câblage direct.
- **UNE PERSONNE QUI CONNAÎT LA CONCEPTION, LE FONCTIONNEMENT ET LES DANGERS POSSIBLES DE CE PRODUIT DOIT L'INSTALLER, ET CE, SELON LES CODES D'INSTALLATION APPLICABLES.**
- Le luminaire est destiné à une utilisation en intérieur. Il doit être branché uniquement aux systèmes d'alimentation électrique monophasés à 3 fils (avec fil de terre ou système de protection équivalent).
- Pour votre sécurité, il est fortement recommandé que deux personnes participent à l'installation du luminaire.
- Ce luminaire fonctionne avec des **ampoules à incandescence à support moyen (E26) de 75 watts maximum** (non incluses). Pour éviter les risques d'incendie, ne pas dépasser la puissance en watts recommandée pour la lampe.
- Le luminaire est destiné à une utilisation en intérieur, **ENDROITS SECS OU HUMIDES SEULEMENT.**
- **Conserver ces instructions.**

AVERTISSEMENT :

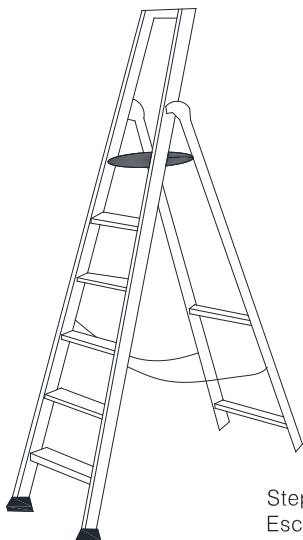
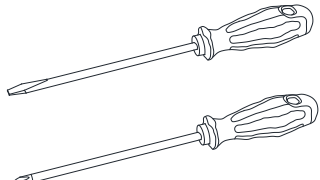
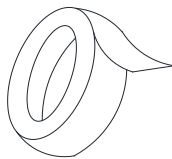
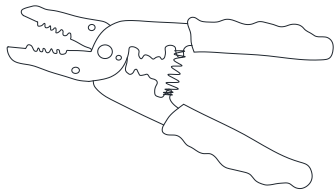
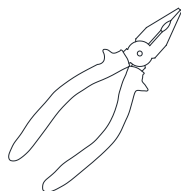
- **Pour éviter les risques d'incendie, de chocs électriques ou de dommages corporels, toujours éteindre le luminaire afin qu'il refroidisse avant de changer l'ampoule.**
- **Ne pas toucher l'ampoule lorsque le luminaire est allumé. Ne pas regarder directement l'ampoule allumée.**
- **Ne pas approcher de matières inflammables de l'ampoule allumée.**
- **Ce luminaire contient du plomb, un produit chimique connu dans l'État de la Californie pour causer le cancer et des malformations congénitales ou autres dommages au fœtus. Se laver les mains après avoir installé, manipulé, nettoyé ou touché ce luminaire.**

Pré-assemblage :

- Sortir toutes les pièces et le matériel de la boîte, ainsi que tous les emballages de protection en plastique.
- Ne jeter aucun contenu avant que l'assemblage ne soit terminé afin d'éviter de jeter accidentellement des petites pièces ou du matériel.
- Pour votre confort et votre sécurité, il est recommandé que deux personnes participent à cette installation.



OUTILS NÉCESSAIRES (non inclus) :

 <p>Step Ladder Escabeau Escalera</p>	 <p>Phillips Head, Flat Blade Screwdrivers Tournevis à tête Phillips et à tête plate Destornilladores Cabeza Phillips y Destornilladores Cabeza Plana</p>	 <p>Electrical tape Ruban isolant Cinta Electrica.</p>
	 <p>Wire Cutter/Stripper Pince coupe-fil/ à dénudé Cortador de Cable</p>	 <p>Plier Pince Alicates</p>

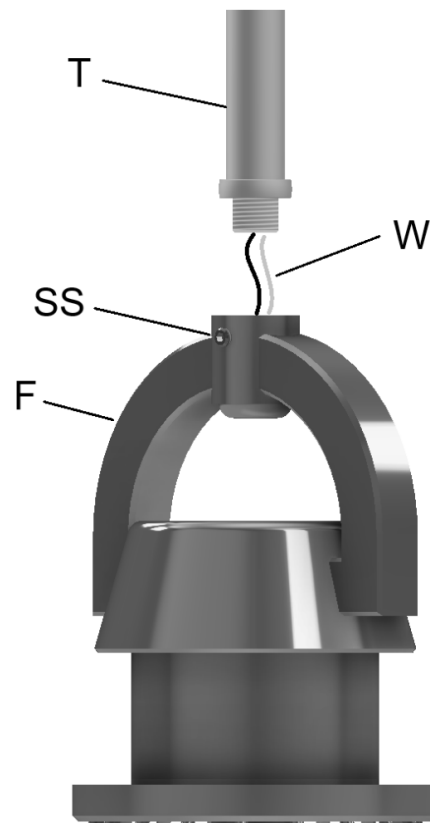
MATÉRIEL NÉCESSAIRE :

- Connecteurs de fils (non fournis - la taille dépend du nombre et de la taille des fils joints).
- Vis de montage de la traverse. Ils doivent être fournis avec la boîte de jonction/le coffret électrique.
Si vous devez les remplacer, essayez 8-32 x 3/4 po ou plus long.

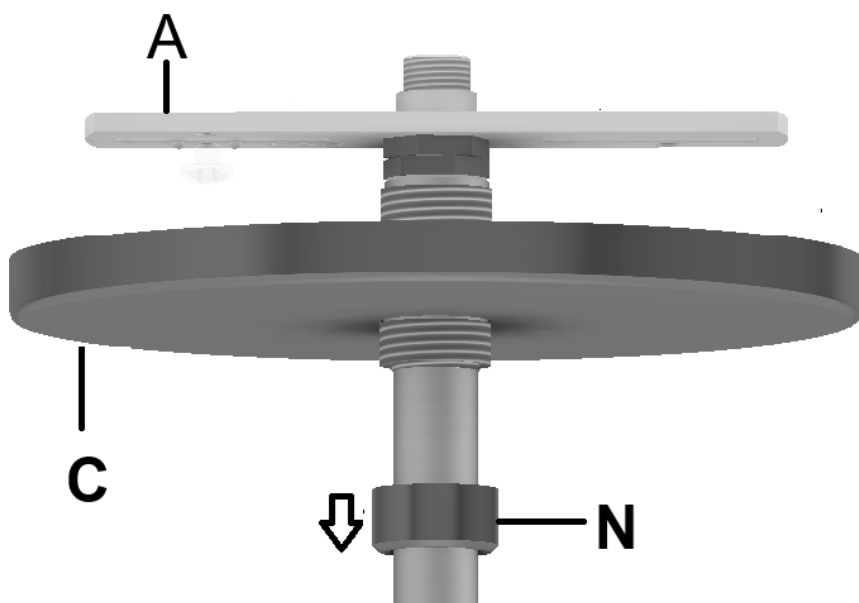
FIXEZ LE TUBE DE BRANCHEMENT AU LUMINAIRE :

Si le tube et la monture ne sont pas fixés à l'arrivée

1. Insérer les fils du luminaire inférieur (F) dans l'assemblage du tube et de la monture (T) jusqu'à ce qu'ils passent à travers l'extrémité opposée ou supérieure du tube.
2. Repérer le jeu de vis (SS) sur le luminaire et le desserrer avec la clé hexagonale fournie.
3. Visser le tube supérieur (T) dans le luminaire (F) jusqu'à ce qu'il s'arrête.
4. Serrer le jeu de vis (SS) jusqu'à ce qu'il s'arrête pour verrouiller le tube en place.



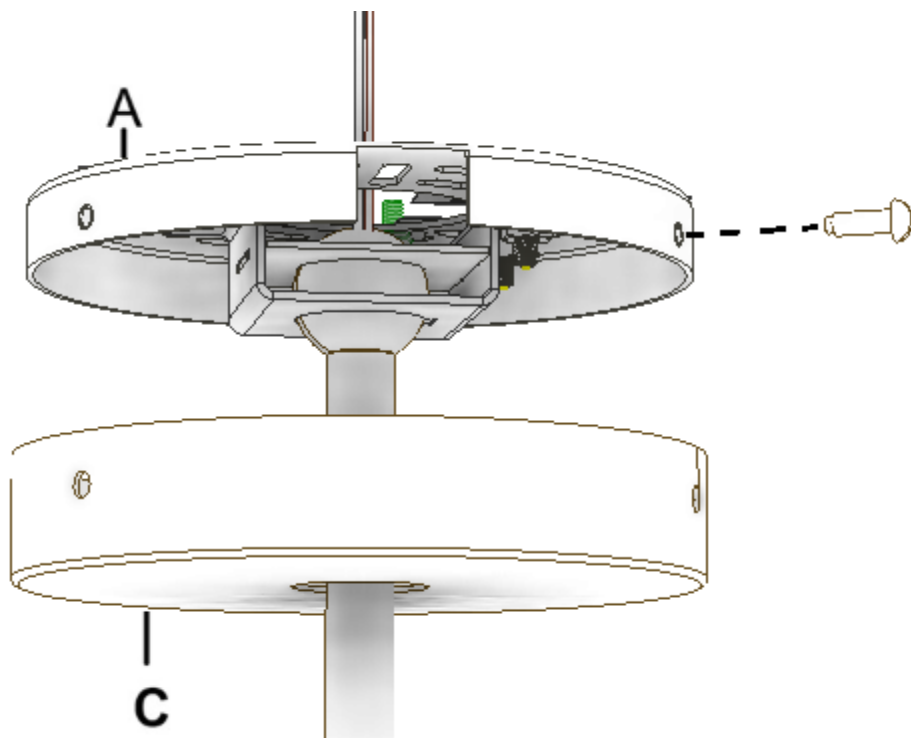
EXPOSER LA TRAVERSE (A):



En faisant attention de ne pas égratigner la finition du tube, desserrer l'écrou de monture (N), puis glisser l'écrou et la monture (C) vers le bas jusqu'à ce qu'ils reposent temporairement sur le luminaire.

EXPOSER LA TRAVERSE - POUR LES COMMANDES DE MONTURES VOÛTÉS

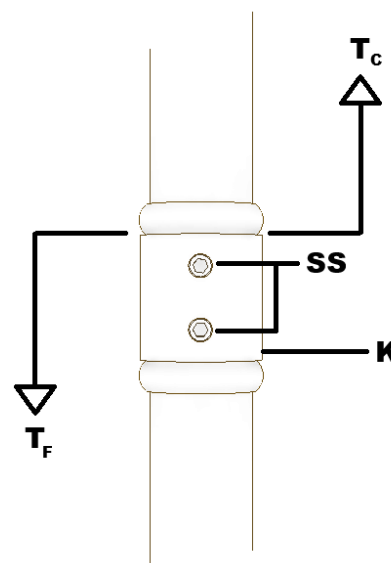
SEULEMENT :



Retirer les 3 vis de montage sur le côté de la traverse à l'aide d'un tournevis à tête plate. En faisant attention de ne pas rayer la finition du tube, glisser la monture (C) vers le bas jusqu'à ce qu'elle repose temporairement sur le dessus du luminaire.

POUR LES LUMINAIRES EXTRA LONGS SEULEMENT :

Pour les luminaires de plus d'une certaine longueur, vous recevrez votre tube de dérivation (T) en deux sections avec un couplage (K) au milieu pour les connecter ensemble. Le tube supérieur (T_C) qui se connecte à votre monture/traverse et le tube inférieur (T_F) qui se connecte au couplage sur le luminaire. Faites d'abord passer le fil dans le tube inférieur (T_F), puis dans le tube supérieur (T_C). Ensuite, connectez les tubes ensemble et fixez-les avec les deux vis de réglage (SS) à l'aide de la clé hexagonale fournie. Passez à l'étape 2 ci-dessus.

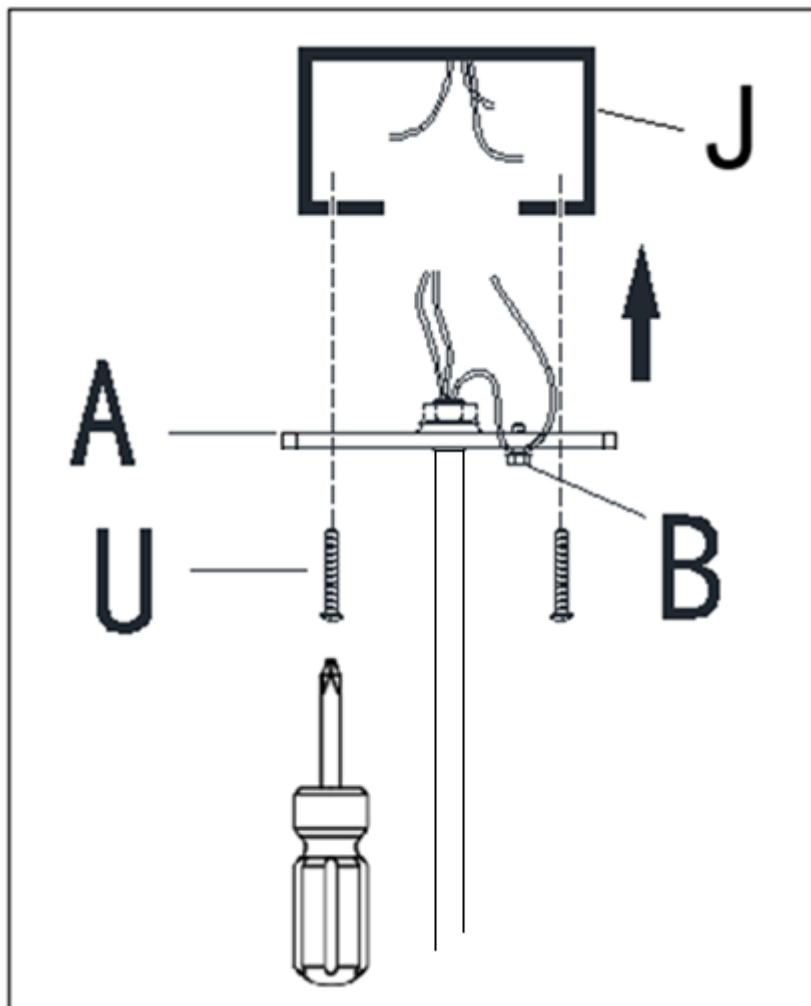


Instructions d'assemblage et d'installation :

CONNEXION AU PLAFOND :

COUPER L'ALIMENTATION ÉLECTRIQUE PRINCIPALE DU COFFRET À FUSIBLES OU DU COUPE-CIRCUIT.

Pour une installation sécuritaire, assurez-vous que le boîtier électrique est solidement fixé à un élément structurel du bâtiment.



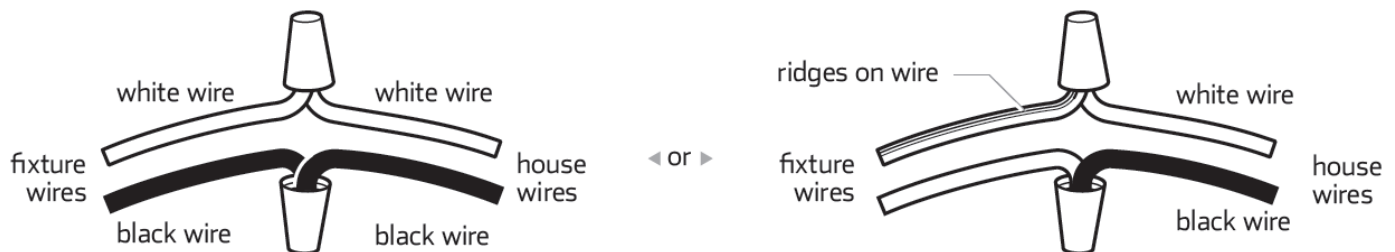
1. Avec l'aide d'une autre personne pour tenir le poids du luminaire, fixer la cale de montage/traverse (A) sur la boîte de jonction (J) à l'aide des deux vis de montage (U) fournies avec la boîte. Ces luminaires sont fournis avec une traverse unique. La plupart ont des fentes courbées en traverse pour permettre aux luminaires d'être placés en carré dans la pièce, peu importe la position des trous de vis dans le boîtier électrique.

2. REMARQUE : ce luminaire pèse environ 50 lb lorsqu'il est entièrement assemblé. Les luminaires de ce poids doivent avoir la traverse fixée aux éléments structurels du plafond en plus de la boîte de jonction. Nous recommandons qu'un entrepreneur professionnel fasse cette connexion pour assurer un support structurel suffisant.

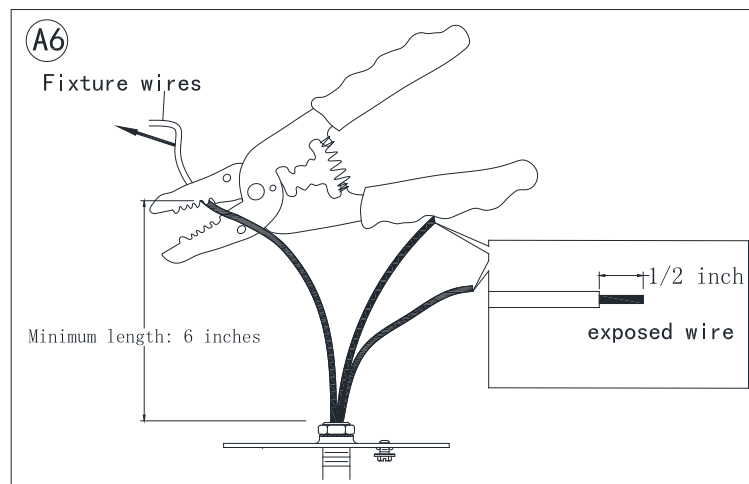
3. Effectuer les connexions de fils conformément aux codes électriques locaux, voir les sections « Pour effectuer les connexions de fils » ci-après et « Renseignements importants » à la fin de ce paquet.

Pour faire les connexions de fils :

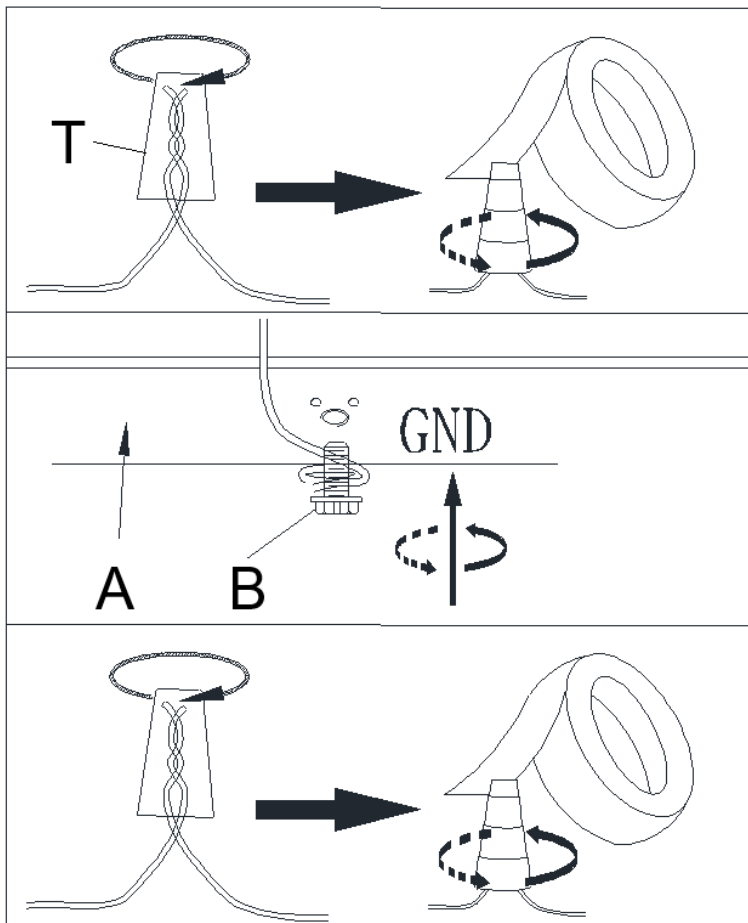
1. Retirer soigneusement les fils existants de la boîte de jonction et laisser les fils suspendre du plafond. Le fil CHARGÉ ou CHAUD est généralement noir. Le fil NEUTRE est généralement blanc. Vérifier s'il existe un fil de terre qui est généralement vert ou vert avec une bande jaune ou un fil de cuivre exposé. Au besoin, utiliser un dénudeur de fils pour retirer environ 1/2 po d'isolement de chaque fil.
2. Inspecter soigneusement les fils du luminaire. Le FIL NEUTRE DU LUMINAIRE a des RAINURES LONGITUDINALES FINES le long de sa longueur ou a une isolation blanche. Le FIL CHAUD DU LUMINAIRE est LISSE ou a une isolation noire. Le FIL DE TERRE est en CUIVRE NU ou est doté d'une isolation verte. REMARQUE : certains luminaires ne comprennent pas de fil de terre séparé. En cas de doute et s'il est impossible de déterminer les fils électriques avec confiance, nous recommandons de demander un électricien et de ne pas poursuivre l'installation.



(Voir A6) Si besoin, couper la longueur en trop du cordon d'alimentation à 2 fils et du fil de terre nu tout en s'assurant qu'il y a au moins 6 pouces (152,4 mm) de long dans la boîte de jonction de la sortie (boîte J).



3. À l'aide d'une autre personne qui devra soutenir le poids du luminaire, fixer les fils du luminaire aux fils de la boîte de jonction comme indiqué dans les illustrations.



Raccorder le FIL DE TERRE DU LUMINAIRE au FIL DE TERRE DE LA BOÎTE DE JONCTION à l'aide du connecteur à coinçeur câblé en plastique (T) et envelopper le raccordement avec du ruban isolant. S'assurer qu'aucun brin de fil n'est exposé.

Si la boîte de jonction N'EST PAS équipée d'un FIL DE TERRE, envelopper le fil de terre nu du luminaire autour de la vis de terre verte (B) et insérer la vis dans la cale de montage (A), marquée « GND » et serrer la vis pour fixer le câble. REMARQUE : certains luminaires ne comprennent pas de fil de terre séparé.

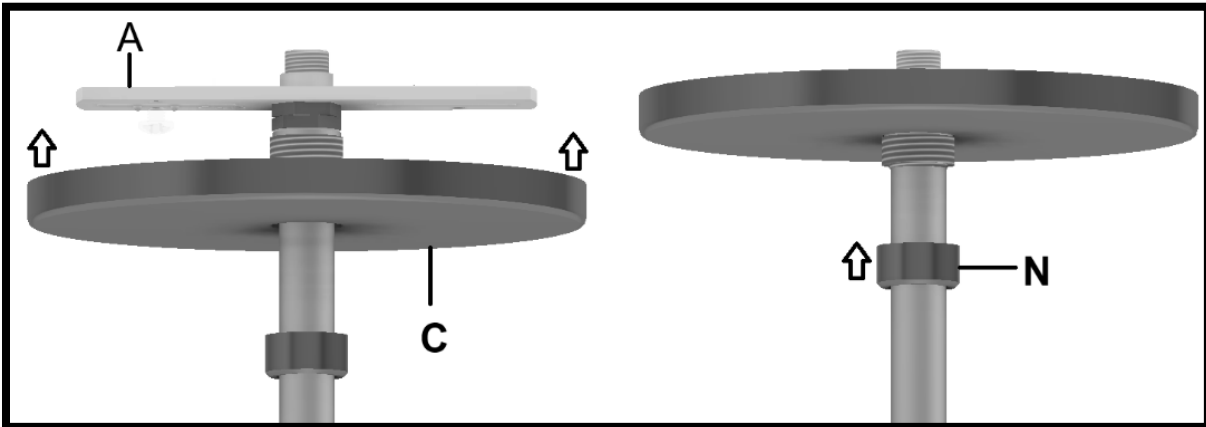
Raccorder d'abord LE FIL NEUTRE DU LUMINAIRE au FIL NEUTRE DE LA BOÎTE DE JONCTION et raccorder ensuite le FIL CHAUD DU LUMINAIRE au FIL CHAUD DE LA BOÎTE DE JONCTION à l'aide des connecteurs à coinçeur câblé en plastique (T). Envelopper ces connexions avec du ruban isolant. S'assurer qu'aucun brin de fil n'est exposé.

REMARQUE:

**IL EST IMPÉRATIF QUE LA BOÎTE DE JONCTION CHEZ VOUS SOIT CORRECTEMENT MISE À LA TERRE!
NE PAS INVERSER LES RACCORDEMENTS CHARGÉ ET NEUTRE OU LA SÉCURITÉ SERA COMPROMISE.**

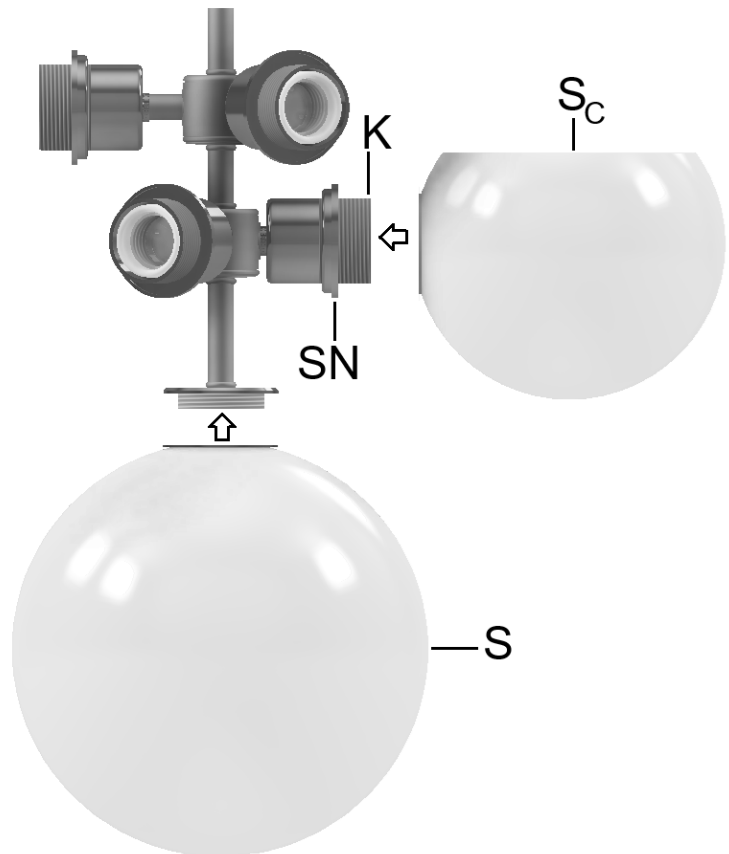
4. Vérifier les raccordements et si tout semble bien, regrouper les connecteurs de fils dans la boîte de jonction du plafond.

- En faisant attention de ne pas rayer la tubulure, faire glisser la monture (C) vers le haut jusqu'à ce qu'elle touche le plafond.
- Glisser l'écrou de monture (N) vers le haut jusqu'à ce qu'il atteigne la tubulure filetée. Visser jusqu'à l'arrêt.



Fixer les abat-jour intérieurs :

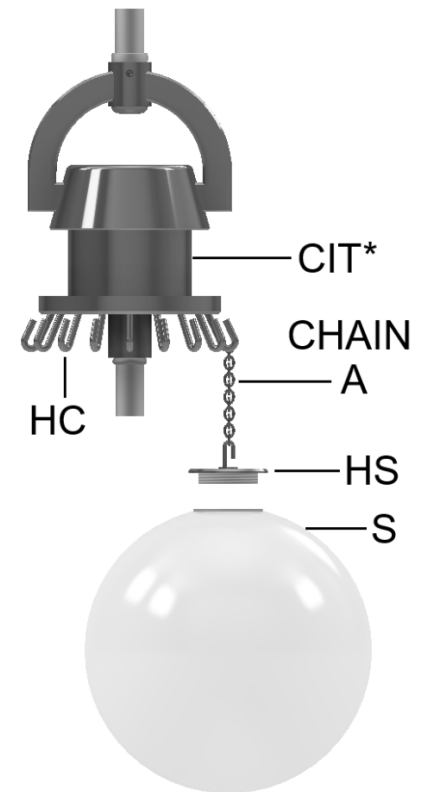
- Avec le luminaire installé au plafond, repérer les 6 coupelles de support filetées (K). S'assurer que chacun des 6 écrous de support (SN) est entièrement fileté sur les coupelles de support comme illustré jusqu'à ce qu'elles s'arrêtent. Ne pas trop serrer.
- En commençant par la rangée INFÉRIEURE, visser l'abat-jour coupé (Sc) sur le godet de support (K) jusqu'à ce qu'il s'arrête. Si le bord plat n'est pas orienté vers le haut, bouger l'abat-jour jusqu'à ce que ce soit plat.
- Maintenant, tourner l'écrou de support (SN) vers l'abat-jour jusqu'à ce qu'il s'arrête; cela maintiendra l'abat-jour en place.
- Répéter pour tous les 3 abat-jour de la rangée INFÉRIEURE.
- Pour les 3 abat-jour de la rangée SUPÉRIEURE, serrer l'abat-jour (Sc) jusqu'à ce qu'il s'arrête ou touche l'abat-jour en verre le plus proche, puis verrouiller la position avec les écrous de support (SN). À faire pour tous les 3 abat-jour de la rangée SUPÉRIEURE.
- Une fois tous les abat-jour coupés installés, visser le premier des abat-jour sphériques complets (S) sur le raccord fileté le plus bas (sans support) jusqu'à ce qu'il s'arrête.



REMARQUE: Vous pouvez maintenant installer des ampoules.

Fixer les abat-jour décoratifs extérieurs :

- Avec le luminaire installé au plafond et les 7 abat-jour intérieurs en place, il est maintenant temps de fixer les abat-jour décoratifs et les chaînes. Localisez les composants suivants :
 - 6 chaînes « A » de 18 po chacune (chaîne A)
 - 12 chaînes « B » de 16 po chacune (chaîne B)
 - 12 chaînes « C » de 15 po de long chacune (chaîne C)
 - 30 crochets d'attelage d'abat-jour (HS)
 - 30 abat-jour sphériques (S)
 - 1 tableau d'indice de chaîne ci-dessous (recommandé/facultatif)
- Fixer un crochet d'aiguillage d'abat-jour (HS) sur chaque abat-jour inutilisé (S).



NOTES SPÉCIALES POUR LES ÉTAPES SUIVANTES :

>FAIRE PARTICULIÈREMENT ATTENTION DE NE PAS HEURTER LES ABAT-JOUR EN VERRE FRAGILE LES UNS AUX AUTRES
>EN GÉNÉRAL, ESSAYER DE SUSPENDRE LES ABAT-JOUR SUR LE CROCHET À CHAÎNE LE PLUS PROCHE (HC) DIRECTEMENT VERS L'INTÉRIEUR DE CHAQUE ABAT-JOUR POUR RÉDUIRE LE CROISEMENT EXCESSIF DES CHAÎNES



TABLEAU D'INDEX DE CHAÎNE (DÉCOUPE) :

1	19	7	30	18	6	24	10	25	15	3	21	11	28	14	2	20	8	29	17	5	23	9	26	16	4	22	12	27	13	
	C		C			C		C			C		C			C		C			C		C		C		C		C	
A		B		B	A		B		B	A		B		B	A		B		B		A		B		B	A		B		B

- Étant donné qu'il y a de nombreux abat-jour (30x) à suspendre sur ce luminaire, il est préférable d'installer des abat-jour successivement sur les côtés opposés, l'un après l'autre, afin d'éviter trop de poids sur un côté du luminaire. Pour cette raison, nous fournissons le « TABLEAU D'INDEX DE LA CHAÎNE » ci-dessus qui peut être découpé et temporairement collé au cylindre du luminaire (voir CIT* ci-dessus) à titre de référence. La rangée du haut du tableau indique l'ordre du crochet auquel fixer un abat-jour donné, et la rangée du bas indique la longueur de la chaîne qui se fixe au crochet donné. Vous pouvez utiliser ce tableau conjointement avec l'image de la couche d'abat-jour décoratifs ci-dessous. Coller le tableau d'index de chaîne de manière à ce que A1 commence là.

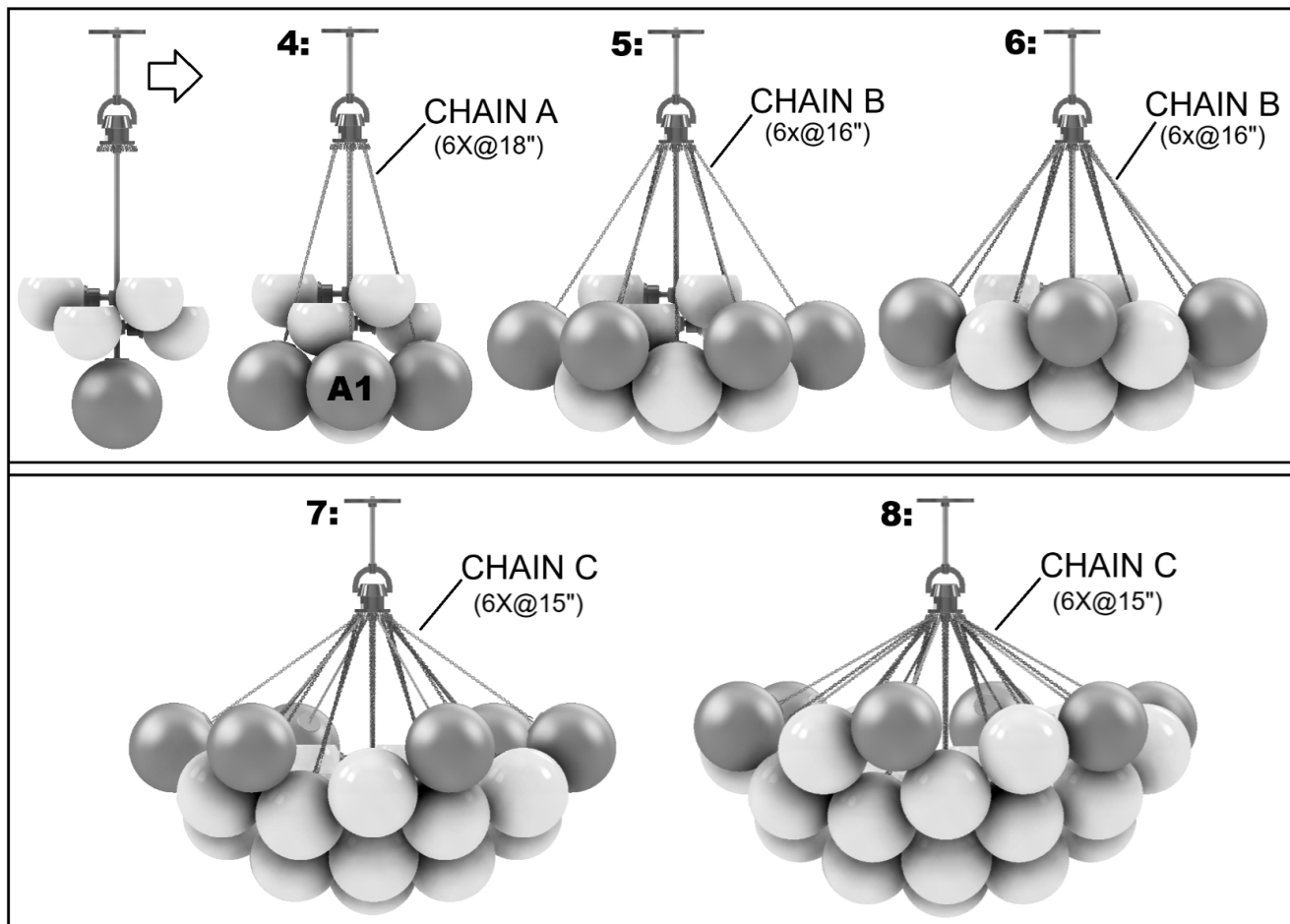
REMARQUE : l'abat-jour dans l'image ci-dessous étiquetée « A1 » indique le premier abat-jour suspendu à fixer, et il doit atterrir avec la chaîne reposant dans la noue entre les deux abat-jour coupés supérieurs (Sc), comme illustré.

- Couche inférieure/première couche d'abat-jour :** À l'aide de l'une des chaînes de 18 po (chaîne A), fixer une extrémité au crochet d'abat-jour (HS) et l'autre extrémité au crochet de chaîne (HC) au centre du luminaire. Commencez par l'abat-jour « A1 » selon l'image ci-dessous. En travaillant de gauche à droite, SAUTER 4 CROCHETS (HC) et fixer la même chaîne (chaîne A) avec l'abat-jour à chaque 5e crochet sur le luminaire – 6 au total dans cette couche.

[...]

5. **2e couche d'abat-jour** : À l'aide de l'une des chaînes de **16 po** (chaîne B), fixer une extrémité au crochet d'abat-jour (HS) et l'autre extrémité au crochet de chaîne (HC) au centre du luminaire. En travaillant de gauche à droite, SAUTER 4 CROCHETS (HC) et fixer la même chaîne (CC) avec l'abat-jour à chaque 5e crochet sur le luminaire – 6 au total dans cette couche.
6. **3e couche d'abat-jour** : À l'aide de l'une des chaînes de **16 po** (chaîne B), fixer une extrémité au crochet d'abat-jour (HS) et l'autre extrémité au crochet de chaîne (HC) au centre du luminaire. En travaillant de gauche à droite, SAUTER 4 CROCHETS (HC) et fixer la même chaîne (chaîne C) avec l'abat-jour à chaque 5e crochet sur le luminaire – 6 au total dans cette couche.
7. **4e couche d'abat-jour** : À l'aide de l'une des chaînes de **15 po** (chaîne C), fixer une extrémité au crochet d'abat-jour (HS) et l'autre extrémité au crochet de chaîne (HC) au centre du luminaire. En travaillant de gauche à droite, SAUTER 1 CROCHET (HC) et fixer la même chaîne (chaîne C) avec l'abat-jour à chaque 5e crochet sur le luminaire – 6 au total dans cette couche.
8. **5e dernière couche d'abat-jour** : À l'aide de l'une des chaînes de **15 po** (chaîne C), fixer une extrémité au crochet d'abat-jour (HS) et l'autre extrémité au crochet de chaîne (HC) au centre du luminaire. Fixer les chaînes restantes (chaîne C) avec les abat-jour à chaque crochet vide sur le luminaire – 6 au total dans cette dernière couche.

IMAGE DE LA COUCHE D'ABAT-JOUR DÉCORATIF : (« A1 » est le premier abat-jour à fixer, les abat-jour de chaque nouvelle étape sont affichés en gris foncé)

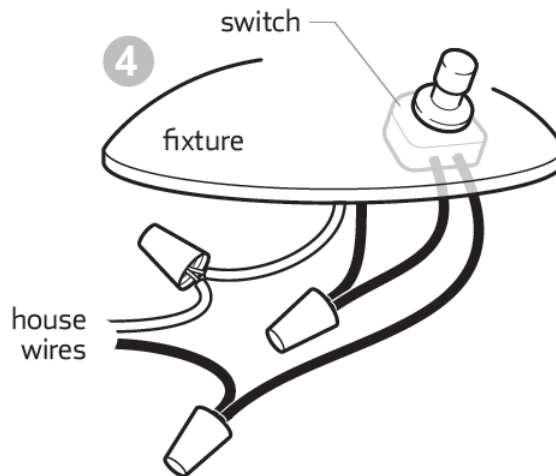


TERMINÉ!

CONSIGNES IMPORTANTES :

Veillez lire avant d'installer votre luminaire!

1. Si votre luminaire a un interrupteur dans la monture, connectez un fil de l'interrupteur au fil noir (alimentation) de la maison, et l'autre au fil noir du luminaire.



2. Lors de l'installation des abat-jour, ne serrez pas trop les vis qui les maintiennent. L'abat-jour doit être maintenu solidement, mais il doit toujours être possible de le retourner dans le porte-abat-jour.
3. Utiliser uniquement des ampoules du bon type et dont la puissance en watts ne dépasse pas celle spécifiée pour votre luminaire.
L'utilisation d'ampoules de puissance plus élevée ou de certaines ampoules de type « décorateur » réduira la durée de vie du luminaire et pourrait créer un risque d'incendie.
4. Couper l'alimentation du luminaire au mur ou à l'interrupteur de la monture avant d'installer les ampoules.
5. Si votre luminaire est devenu légèrement désaligné pendant l'expédition, vous pouvez souvent le « rajuster » pour l'aligner avec une légère torsion. Si cela ne fonctionne pas, appelez-nous pour obtenir d'autres conseils.
6. Si votre luminaire a une cote UL pour les endroits humides, des précautions supplémentaires doivent être prises. Les luminaires avec abat-jour en verre doivent être installés avec l'abat-jour vers le haut. Toutes les rondelles en caoutchouc fournies doivent être installées entre les têtes des vis et la monture du luminaire. Après l'installation, tous les luminaires pour emplacement humide doivent être calfeutrés avec un RTV approprié ou un calfeutrage en silicone autour du haut, des côtés et du bas du luminaire où ils entrent en contact avec le mur, et les côtés supérieurs et le bas du joint entre la monture et le corps du luminaire.
Les trous de drainage dans le luminaire doivent être nettoyés régulièrement pour éviter une accumulation d'eau.

* Si vous avez des doutes sur la façon d'installer un luminaire ou si un luminaire ne fonctionne pas correctement, veuillez communiquer avec un électricien local agréé.

Instructions d'entretien :

- Essuyer avec un chiffon sec et doux ou avec un plumeau.
- Ne jamais utiliser de puissants produits nettoyants chimiques ou abrasifs, car ils peuvent endommager la finition du luminaire.

VEUILLEZ CONSERVER OU RECYCLER CES INSTRUCTIONS

