

CAUTION: Risk of personal injury. NativeStone® tubs are extremely heavy. Obtain sufficient help to carefully lift or move the bath tub.

CAUTION: Risk of property damage. Make sure that a watertight seal exists on all bath drain connections.

Before Installation:

- It is strongly recommended that installation of Native Trails bathtubs are performed by a professional plumber. Consult a local architect or structural engineer for recommended floor support and construction.
- Observe all local plumbing and building codes.
- Unpack and inspect the tub for damage. Place on protective floor covering to prevent damage to the bath or floor.
- Make sure the flooring offers adequate support for your tub, and verify that the sub floor is flat and level.
- Ensure proper access to the final plumbing connections.
- For tub protection, position a clean drop cloth or similar material in the bottom of the tub. Be careful not to scratch the surface of the tub.

Installation:

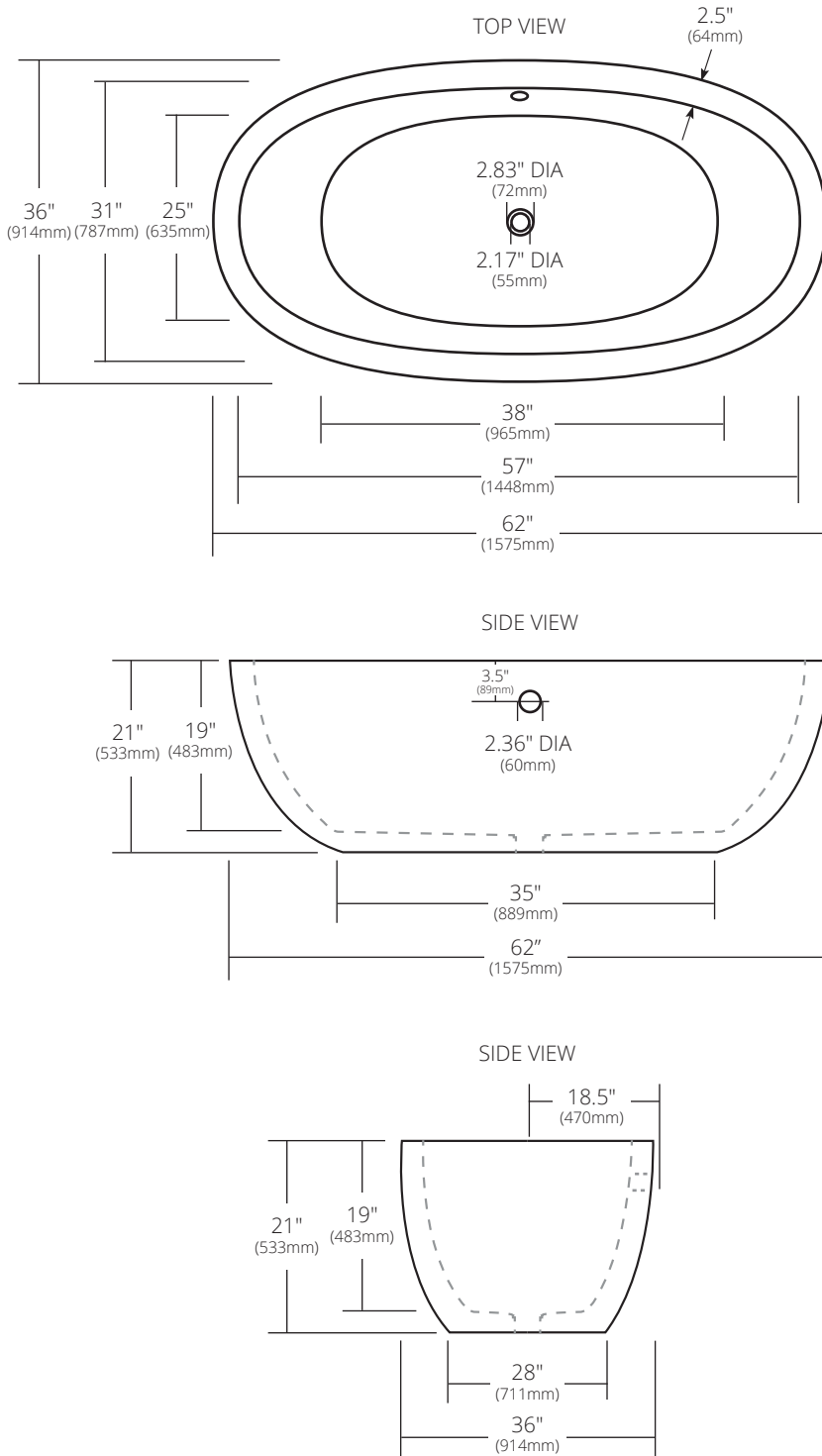
- Place the tub onto an adequately supported level sub floor.
- Install the drain to the bath according to the drain manufacturer's instructions.
- With help, carefully move the tub into place.
- Due to the handmade nature of NativeStone®, the tub may need to be leveled when in place. If shims are needed, sufficiently support the bottom of the tub to avoid uneven weight distribution.
- Connect the drain tailpiece into subfloor plumbing.
- Install the tub filler according to the faucet manufacturer's instructions.
- Open the hot and cold water supplies and check all connections for leaks.
- Fill the tub to the overflow and check for leaks.
- A water based silicone caulk can be used to seal around the bottom of the tub to prevent water from seeping under the tub.

When cleaning up after installations, **DO NOT USE ABRASIVE CLEANERS**, as they may scratch and change the tub surface. Use warm water, a soft cloth and a non-abrasive soap (such as dish soap) to clean the surface. Refer to the Care and Maintenance Instructions for further information.

SPECIFICATIONS

62" AVALON

NativeStone® Collection



- NST6236-A Ash
- NST6236-C Charcoal
- NST6236-E Earth
- NST6236-P Pearl
- NST6236-S Slate

PRODUCT DETAILS

- 62" x 36" x 21" OD (1575mm x 914mm x 533mm)
- 2.17" (55mm) drain opening
- 2.36" (60mm) overflow hole
- Capacity: 65 gallons
- Weight: 550lbs
- Handcrafted from sustainable NativeStone
- Sealed with NativeStone Shield™

INSTALLATION

- Freestanding bathtub

COORDINATING PRODUCTS

- Push to Seal Bath Waste & Overflow: DR290

STANDARDS COMPLIANCE

- UPC/cUPC compliant

IMPORTANT

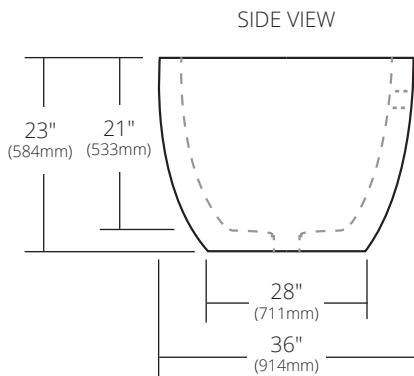
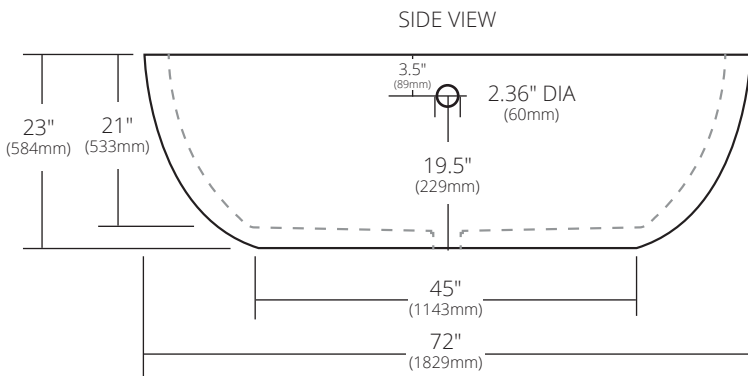
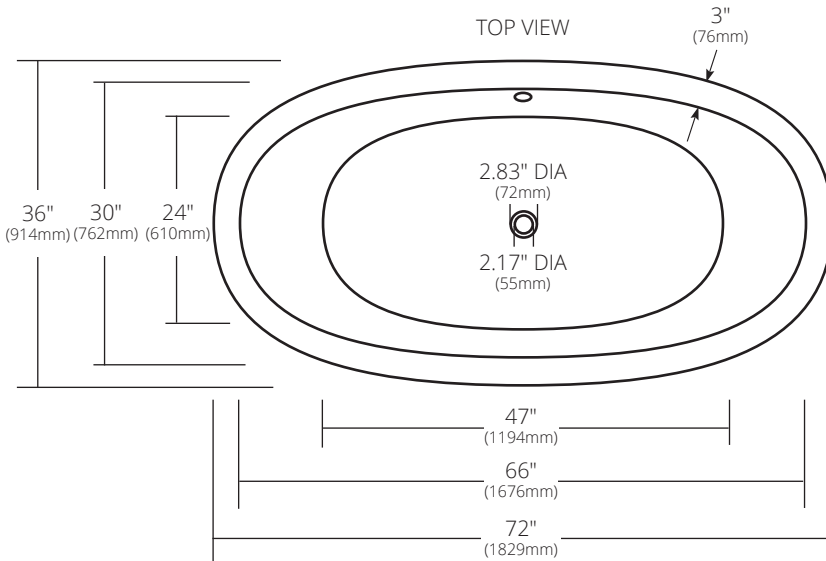
Do NOT use tape or other adhesives on NativeStone as it may remove the sealer.

Due to the handcrafted nature of this product, it will vary in finish, texture, hammering, and other details. Dimensions may vary up to ¼" (6mm). We strongly recommend waiting for the actual product before making any installation cuts.

SPECIFICATIONS

72" AVALON

NativeStone® Collection



- NST7236-A Ash
- NST7236-C Charcoal
- NST7236-E Earth
- NST7236-P Pearl
- NST7236-S Slate

PRODUCT DETAILS

- 72" x 36" x 23" OD (1829mm x 914mm x 584mm)
- 2.17" (55mm) drain opening
- 2.36" (60mm) overflow hole
- Capacity: 105 gallons
- Weight: 900lbs
- Approx. 18.5" from center of drain to overflow floor placement
- Handcrafted from sustainable NativeStone
- Sealed with NativeStone Shield™

INSTALLATION

- Freestanding bathtub

COORDINATING PRODUCTS

- Push to Seal Bath Waste & Overflow: DR290

STANDARDS COMPLIANCE

- UPC/cUPC compliant

IMPORTANT

Do NOT use tape or other adhesives on NativeStone as it may remove the sealer.

Due to the handcrafted nature of this product, it will vary in finish, texture, hammering, and other details. Dimensions may vary up to ¼" (6mm). We strongly recommend waiting for the actual product before making any installation cuts.