

REJUVENATION®



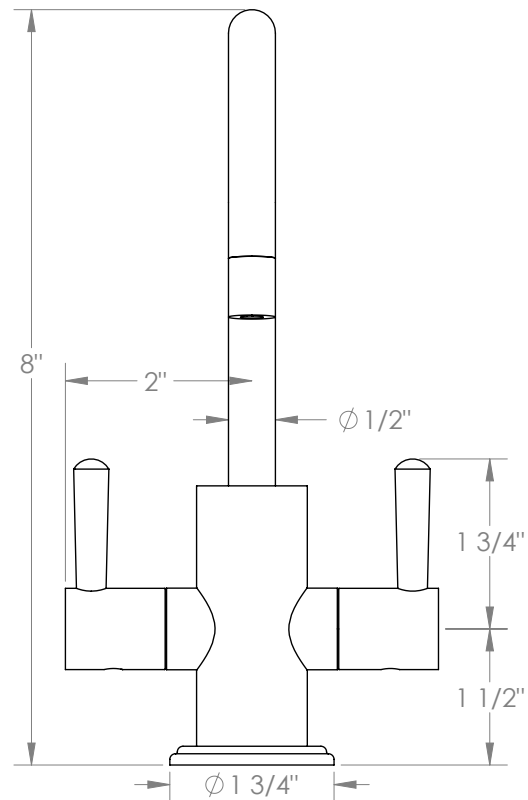
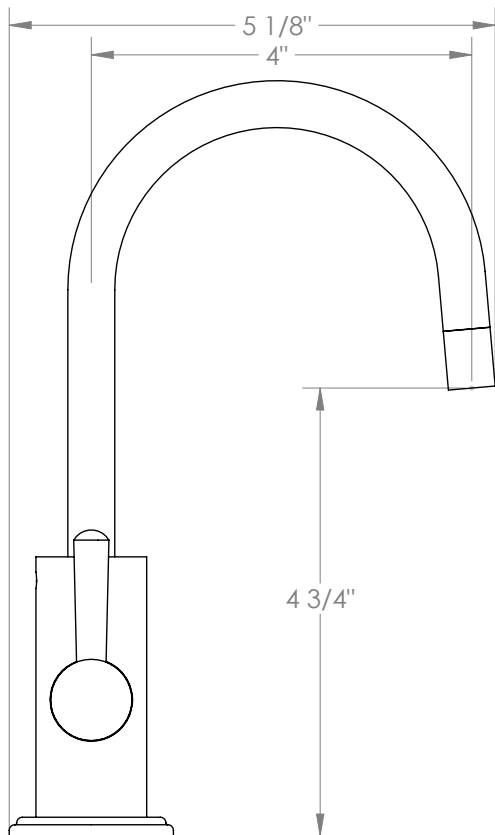
Blair
321-9.5GHC
Deck Mounted Hot & Filtered Water Gooseneck
Dispenser

Includes Instant Hot Heating Tank (K-IHHT) and Water Filtration System (K-FS)
Fits Deck Up To 2-1/4" Thick
Recommended Mounting Hole: 1-1/8" (No Larger than 1-3/8")
1/4 Turn Ceramic Cartridge
Handle Is NOT Spring Loaded
Includes: Connection Hardware, Metal Supply Line Hoses, and 2' of Silicone Tubing to Connect to Hot Water Tank
All Lead-Free Brass Construction
Spout Can Swivel 360°
Professional Installation Required
Available in the following finishes:

- Polished Chrome
- Polished Nickel
- Brushed Nickel
- Oil Rubbed Bronze
- Aged Brass



Watermark Designs reserves the right to make revisions without notice to produce specifications. All product dimensions are nominal.



REJUVENATION[®]



K-IHHT Instant Hot Heating Tank

5/8 Gallon Stainless Steel Tank

Max Temperature: 190° ±5° F (Temperature Is Adjustable)

Heats Up to 60 Cup of Water Per Hour

Has Indicator Light and Sensor Preventing Dry Start-Up

RO Filter Compatible

Electrical Specifications: 120 VAC, 60 Hz, 1300 Watts

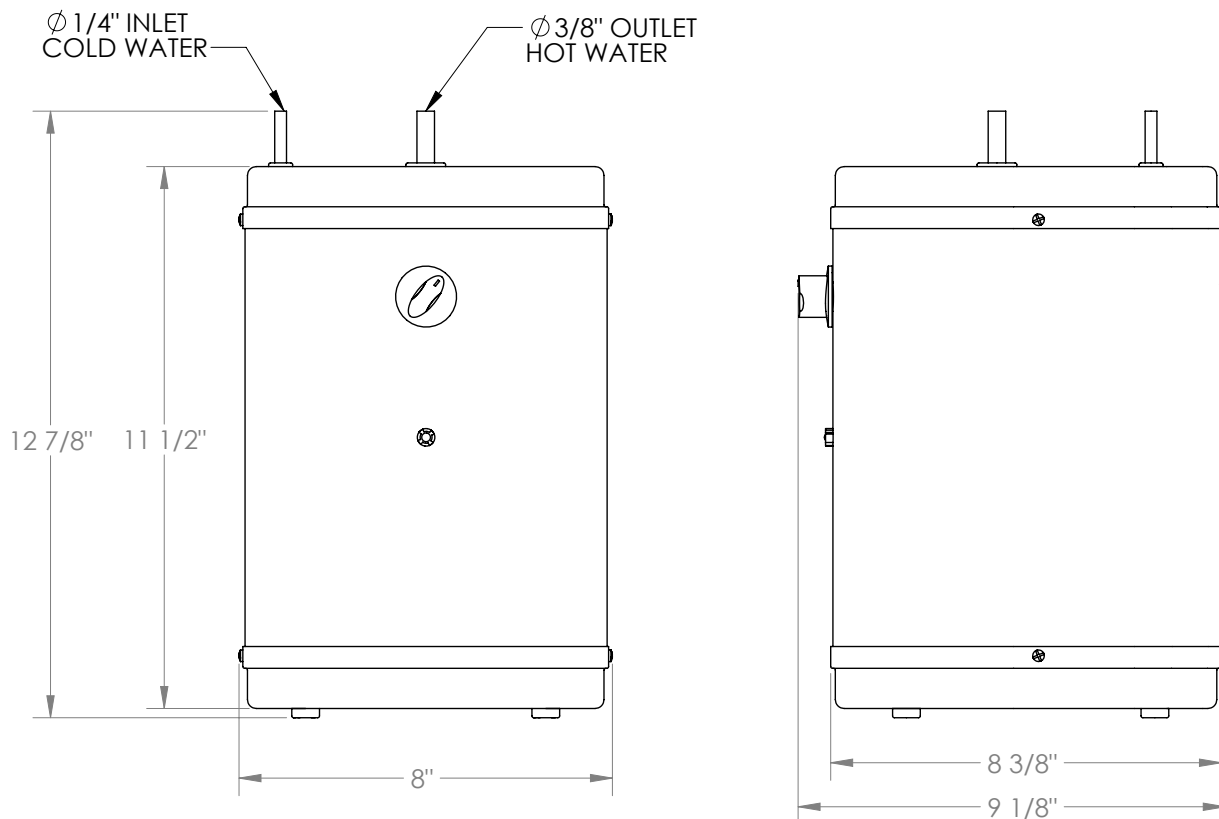
10.83 Amps - Connect to 15 or 20 Amp Circuit

Includes Mounting Bracket

Professional Installation Required



Watermark Designs reserves the right to make revisions without notice to produce specifications. All product dimensions are nominal.



REJUVENATION®



K-FS Full Flow Filtration System

Utilizes Powdered Activated Carbon and Lead Absorbent Media
Filter removes 99.9% of particles over .5 microns and incorporates
an anti-microbial agent to reduce bacterial growth

NSF Certified to Remove the Following: Lead, Sediment, Algae,
Iron, Mold, Rust

1/4 Turn Automatic Shutoff Valve Allows For Easier Cartridge
Changes

1250 Gallon Capacity

Flow Rate: 0.5 GPM; Pressure: 10-125 PSI

Cold Water Use Only (35-100° F)

Includes 5' of 1/4" Tubing



Watermark Designs reserves the right to make revisions without notice
to produce specifications. All product dimensions are nominal.

