

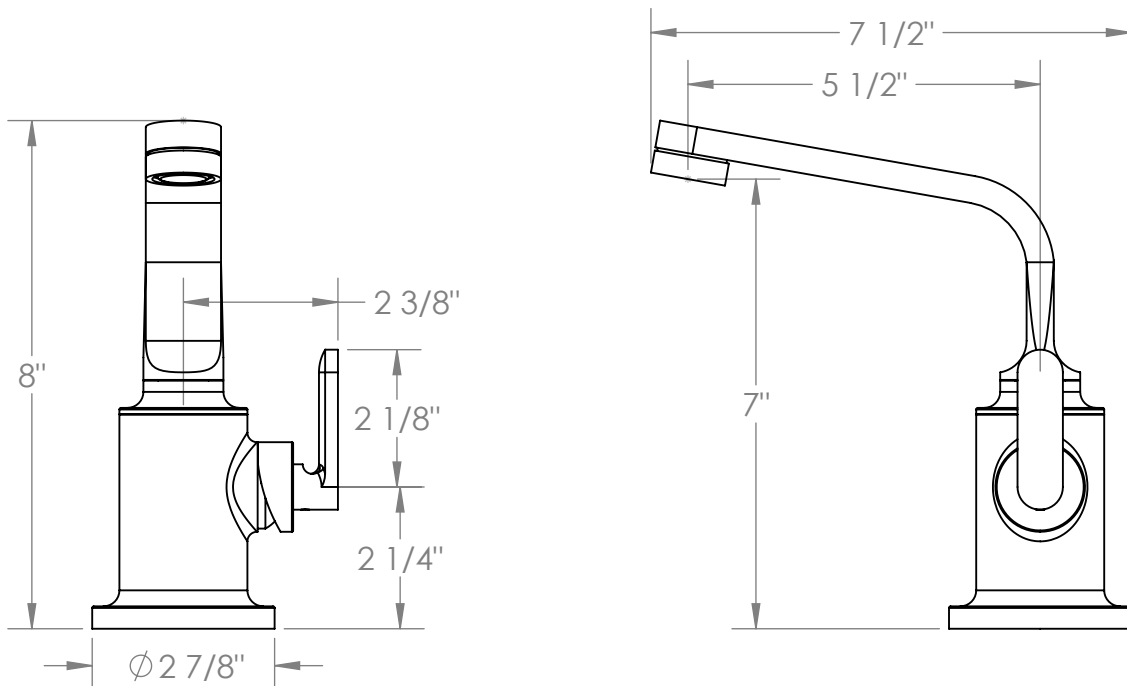
REJUVENATION

www.rejuvenation.com

BOWMAN

Deck Mounted Single Lever Monoblock Lavatory Mixer

Flow Rate: 1.2 GPM



Meets the applicable requirements of ASME A112.18.1-2005/CSA B125.1-05, entitled "Plumbing Supply Fittings"