

# REJUVENATION

[www.rejuvenation.com](http://www.rejuvenation.com)

## **BOWMAN**

Thermostatic Shower/Hand Shower Set

Includes SS-THVD2 rough in valve with diverter



Meets the applicable requirements of ASME A112.18.1-2005/CSA B125.1-05, entitled "Plumbing Supply Fittings"

**WATERMARK** DESIGNS

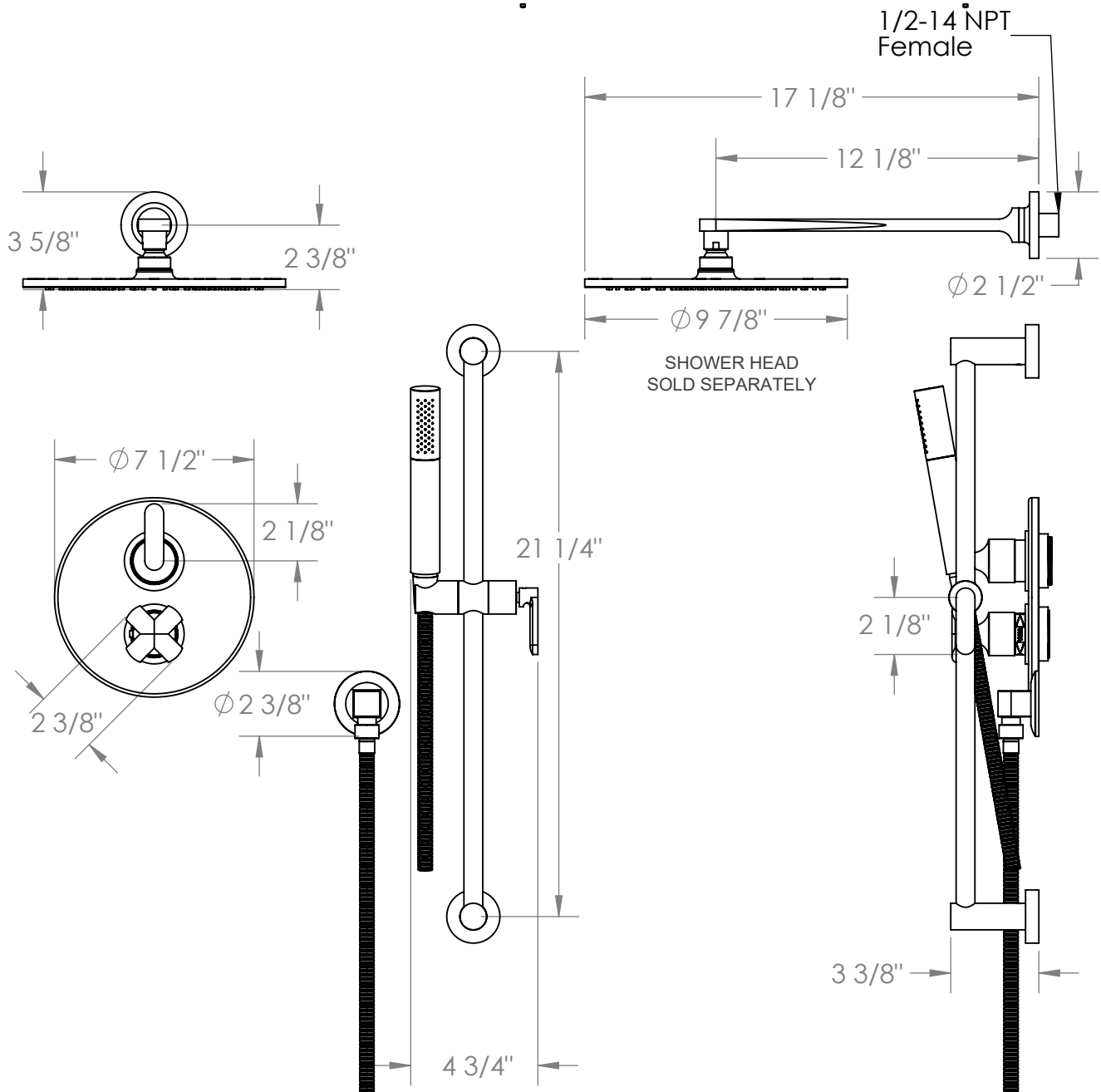
# REJUVENATION

www.rejuvenation.com

## BOWMAN

Thermostatic Shower/Hand Shower Set

Includes SS-THVD2 rough in valve with diverter

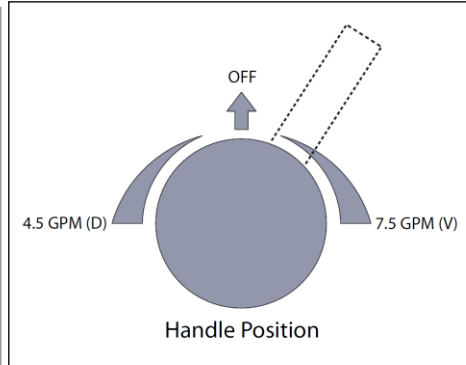
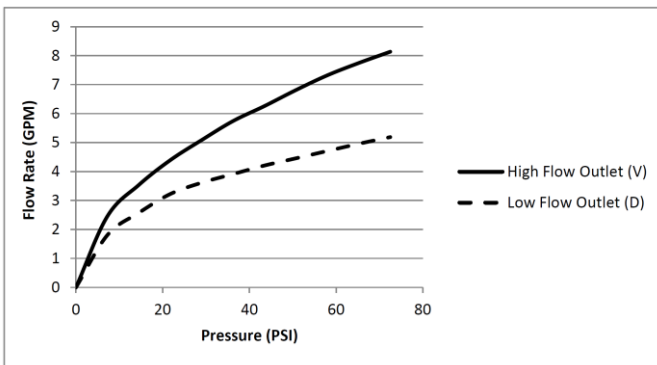
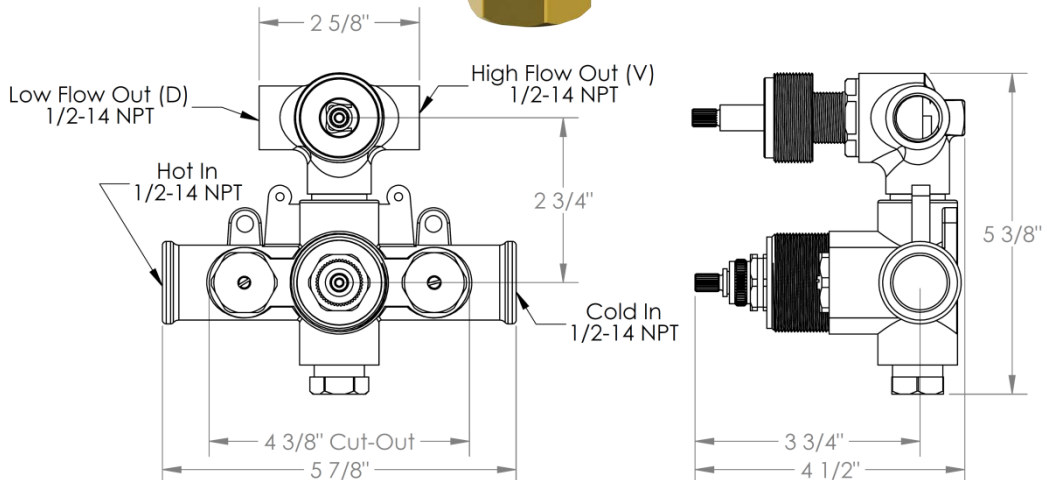


Meets the applicable requirements of ASME A112.18.1-2005/CSA B125.1-05, entitled "Plumbing Supply Fittings"

**WATERMARK** DESIGNS

**SS-THVD2**

1/2" Thermostatic Valve with Volume Control and 2 Way Diverter



Meets the applicable requirements of ASME A112.18.1-2005/CSA B125.1-05, entitled "Plumbing Supply Fittings"

**WATERMARK DESIGNS 2/13/2018**

350 Dewitt Ave Brooklyn NY 11207 USA T 718 257 2800 F 718 257 2144 info@watermark-designs.com