

REJUVENATION

www.rejuvenation.com

BOWMAN

Thermostatic Tub/Shower/Hand Shower Set

Includes SS-THVD3 rough in valve with 3-way diverter



Meets the applicable requirements of ASME A112.18.1-2005/CSA B125.1-05, entitled "Plumbing Supply Fittings"

WATERMARK DESIGNS

350 Dewitt Ave Brooklyn NY 11207 USA T 718 257 2800 F 718 257 2144 info@watermark-designs.com

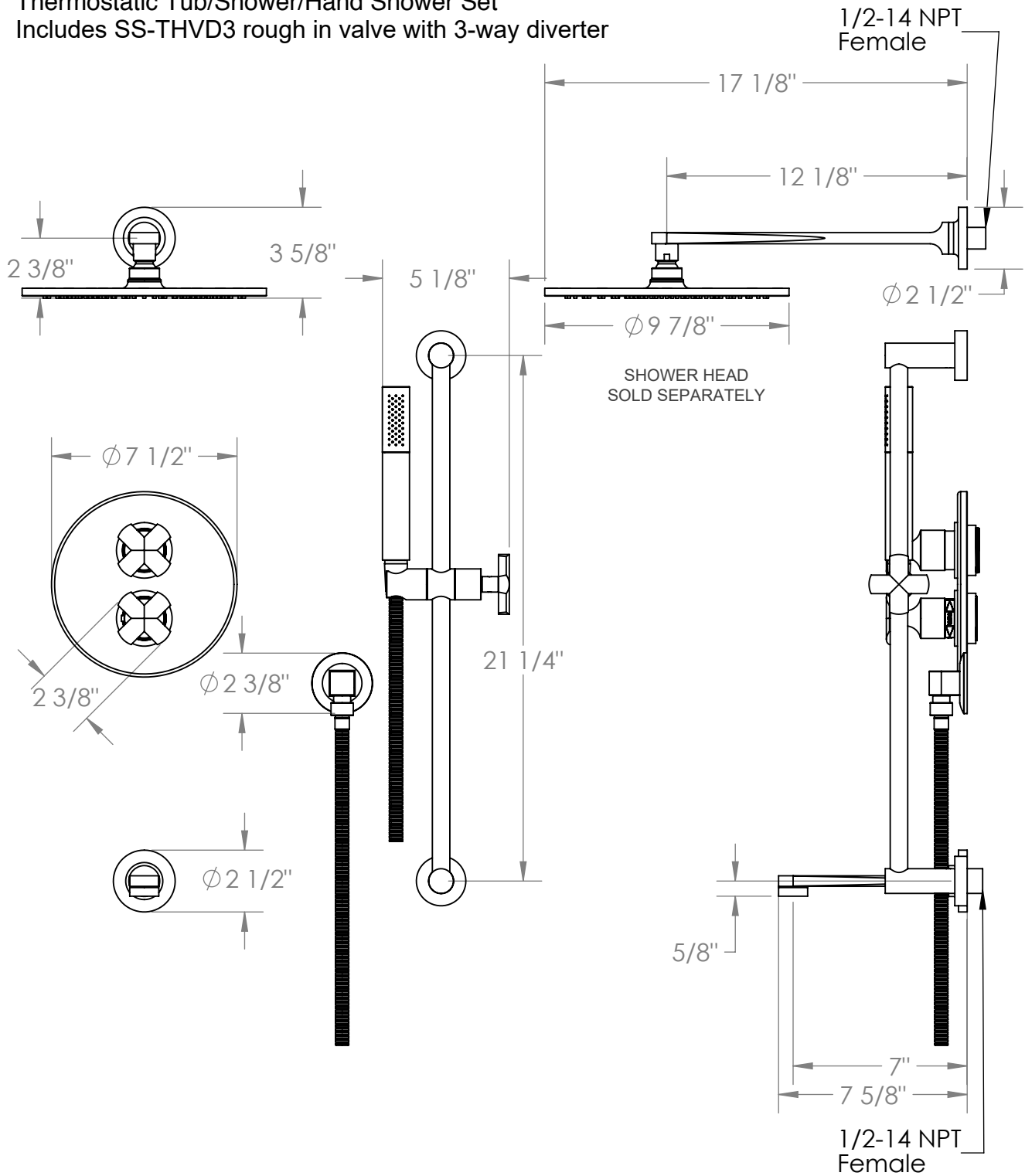
REJUVENATION

www.rejuvenation.com

BOWMAN

Thermostatic Tub/Shower/Hand Shower Set

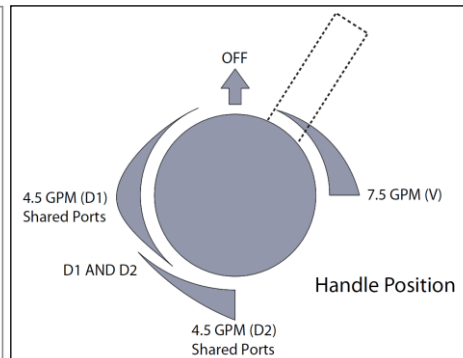
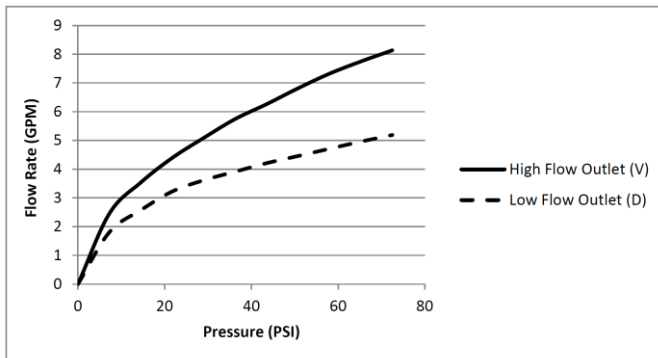
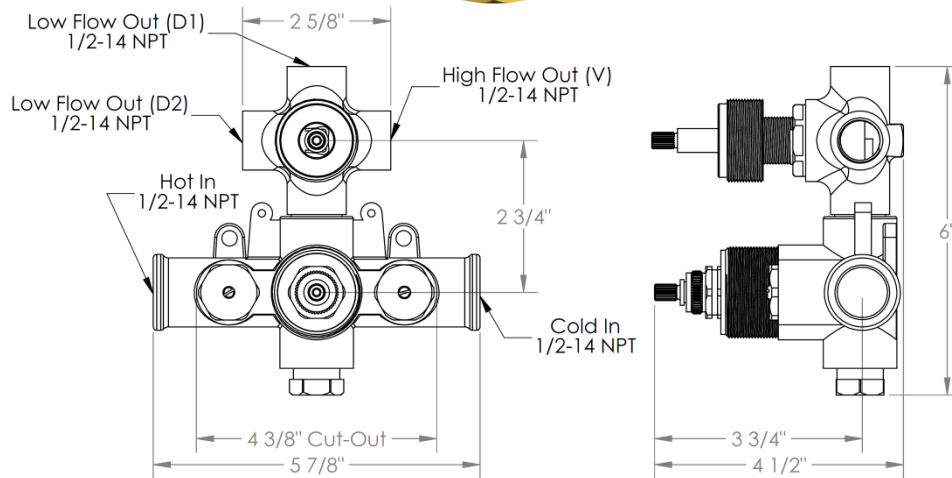
Includes SS-THVD3 rough in valve with 3-way diverter



Meets the applicable requirements of ASME A112.18.1-2005/CSA B125.1-05, entitled "Plumbing Supply Fittings"

SS-THVD3

1/2" Thermostatic Valve with Volume Control and 3-Way Diverter



Meets the applicable requirements of ASME A112.18.1-2005/CSA B125.1-05, entitled "Plumbing Supply Fittings"