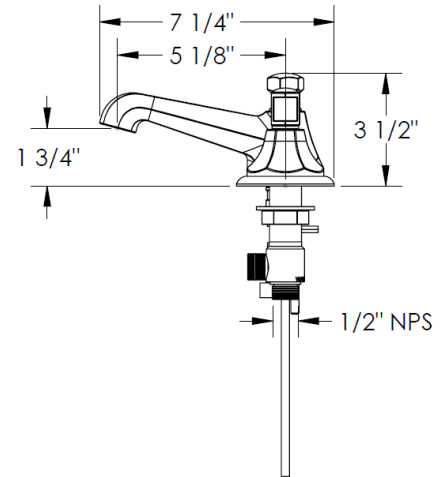
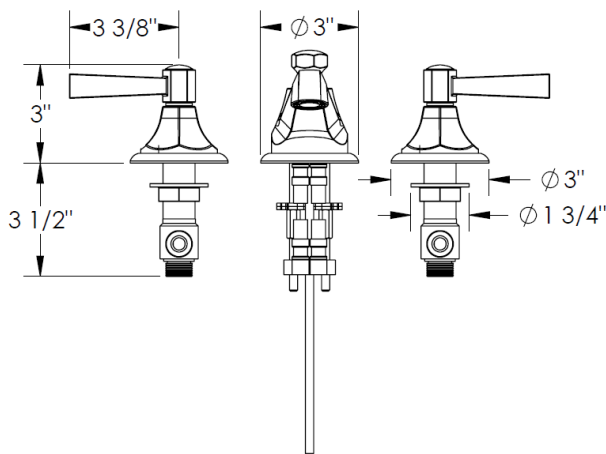


**FEATURES**

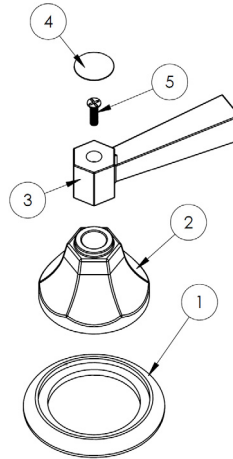
- ¼ turn washerless ceramic disc valve cartridges
- Flexible hose connection for 8" to 16" spread installations
- Flow rate 1.5 gpm (5.7 lpm) maximum flow rate
- Solid brass construction
- Listed by IAPMO, CSA, NSF, and other municipalities
- Warranty:
  - Limited lifetime warranty (residential use)
  - One year (commercial use)
- Shipping weight (lbs.) 10
- Shipping dimensions (in.): 29x12x4



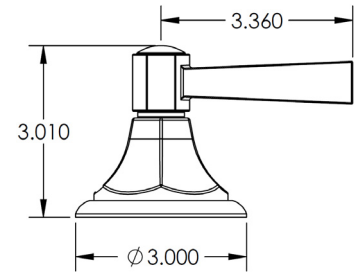
ITEM NO.	PART NUMBER	QTY.
1	312-2-SPT	1
2	CN4-ESC-RING	1
5	NEOPERL CACHE AERATOR	1
6	501-LIFT-ROD	1
7	142-LOCK-NUT	4
8	SS-502 Valve Body	2
9	SS-502 Cartridge	2
10	SUPPLY HOSE 1/2-14 NPS	2
11	SPT-MNTNG-KIT-2-WSHR	1
12	SPT-MNTNG-KIT-2-RBBR-WSHR	1
13	SPT-MNTNG-KIT-1-SCRW	2
14	SPT-MNTNG-KIT-1-NUT	2

**HANDLE TRIM**

**CODE: CN4**



ITEM NO.	PART NUMBER	QTY.
1	CN4-ESC-RING	1
2	X-ESC	1
3	AM1-LVR	1
4	SA1-POST-CAP	1
5	CR-FHMS 0.164-32x0.625x0.625-S	1



**IMPORTANT INSTALLATION INFORMATION**

- USE TEFLON TAPE OR PIPE SEALANT FOR THREADED CONNECTIONS
- DO NOT USE PLUMBER'S PUTTY ON ANY OF THE BRASS COMPONENTS  
This will cause the finish to tarnish and void the warranty. A non-corrosive Alkoxy Silicone is recommended.
- DURING SWEATING OF LINES DO NOT OVERHEAT CASTING  
Overheating may cause damage to internal mechanism
- COPPER ADAPTORS MAY BE REQUIRED TO COMPLETE YOUR INSTALLATION

**For technical support, please call 888-401-1900**