

2019.08.30

www.rejuvenation.com



KITCHEN

TRADITIONAL DUAL HANDLE WALL MOUNT POT FILLER

CF-K10-201-XX

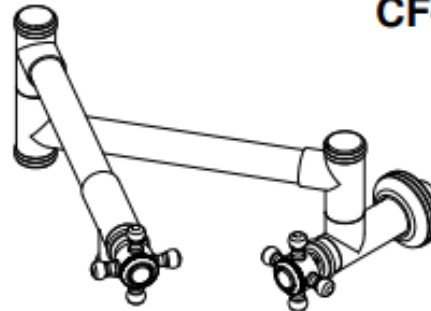
Features

- All brass construction
- 22-3/16" wall to center
- 1/4 turn ceramic disc cartridge(s)
- Dual jointed swing spout
- 1/2" FIP inlet quick connect for ease of installation
- Max flow rate: 4.0 gpm (15.1L/min) at 60 psi
- Over 30 finishes including 15 PVD finishes

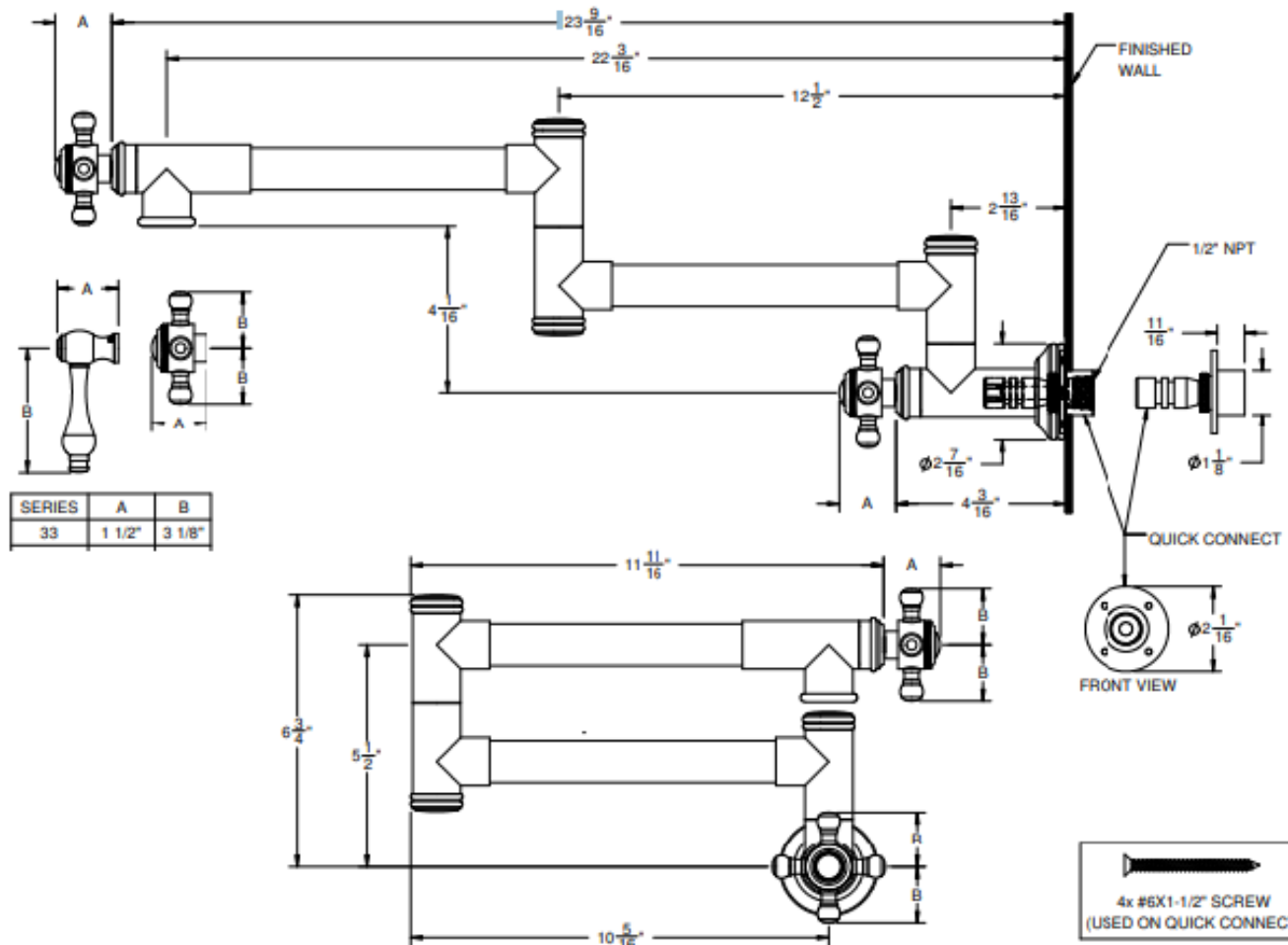
Codes/Standards Applicable

Meets or exceeds the following at date of manufacture:

- ASME A112.18.1/CSA B125.1
- NSF/ANSI 61 & NSF/ANSI 372
- Commonwealth of MA
- ADA compliant (lever handles only)



(CF-K10-201-47 SHOWN)



THRU-HOLE SPECIFICATIONS		
MIN	RECOMMENDED	MAX
1-1/8"	1-1/8"	1-1/4"