



California Faucets®

## CONTEMPORARY DUAL HANDLE WALL MOUNT POT FILLER

# KITCHEN

### Features

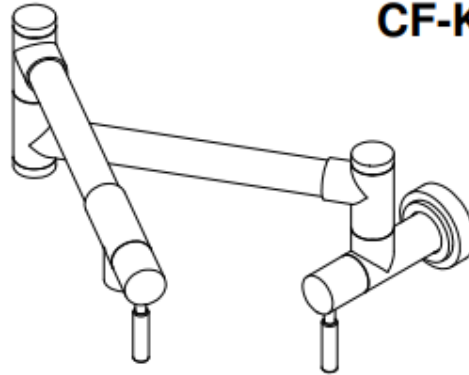
- All brass construction
- 22-3/16" wall to center
- 1/4 turn ceramic disc cartridge(s)
- Dual jointed swing spout
- 1/2" FIP inlet quick connect for ease of installation
- Max flow rate: 4.0 gpm (15.1L/min) at 60 psi
- Over 30 finishes including 15 PVD finishes

### Codes/Standards Applicable

Meets or exceeds the following at date of manufacture:

- ASME A112.18.1/CSA B125.1
- NSF/ANSI 61 & NSF/ANSI 372
- Commonwealth of MA
- ADA compliant

**CF-K51-200-XX**



(CF-K51-200-ST SHOWN)

