

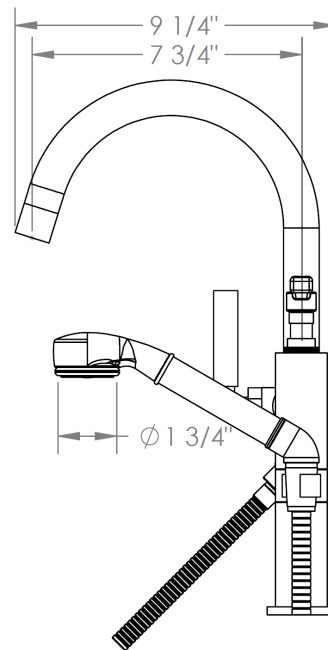
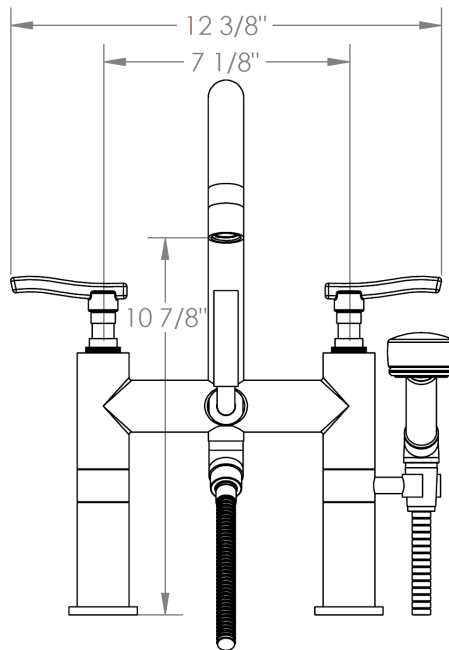
REJUVENATION

www.rejuvenation.com

RIGDON

Deck Mounted Tub Fill With Handshower

Handshower Flow Rate: 2.0 GPM @ 45 PSI



Meets the applicable requirements of ASME A112.18.1-2005/CSA B125.1-05, entitled "Plumbing Supply Fittings"