

2019.08.30

www.rejuvenation.com



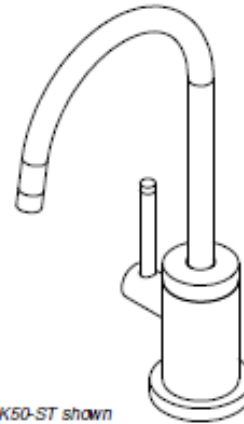
California Faucets®

CORSANO

CONTEMPORARY HOT ONLY WATER DISPENSER

Features

- Solid brass construction
- 360° rotating spout
- Insulated body and spout to reduce heat transfer to faucet
- Self-closing handle
- Flow rate: 1.8 gpm (6.8 L/min)
- Over 30 finishes including 15 PVD finishes
- Requires separate Hot Water Tank (9628SS) sold separately



CF-9625-K50-XX



Codes/Standards Applicable

Meets or exceeds the following at date of manufacture:

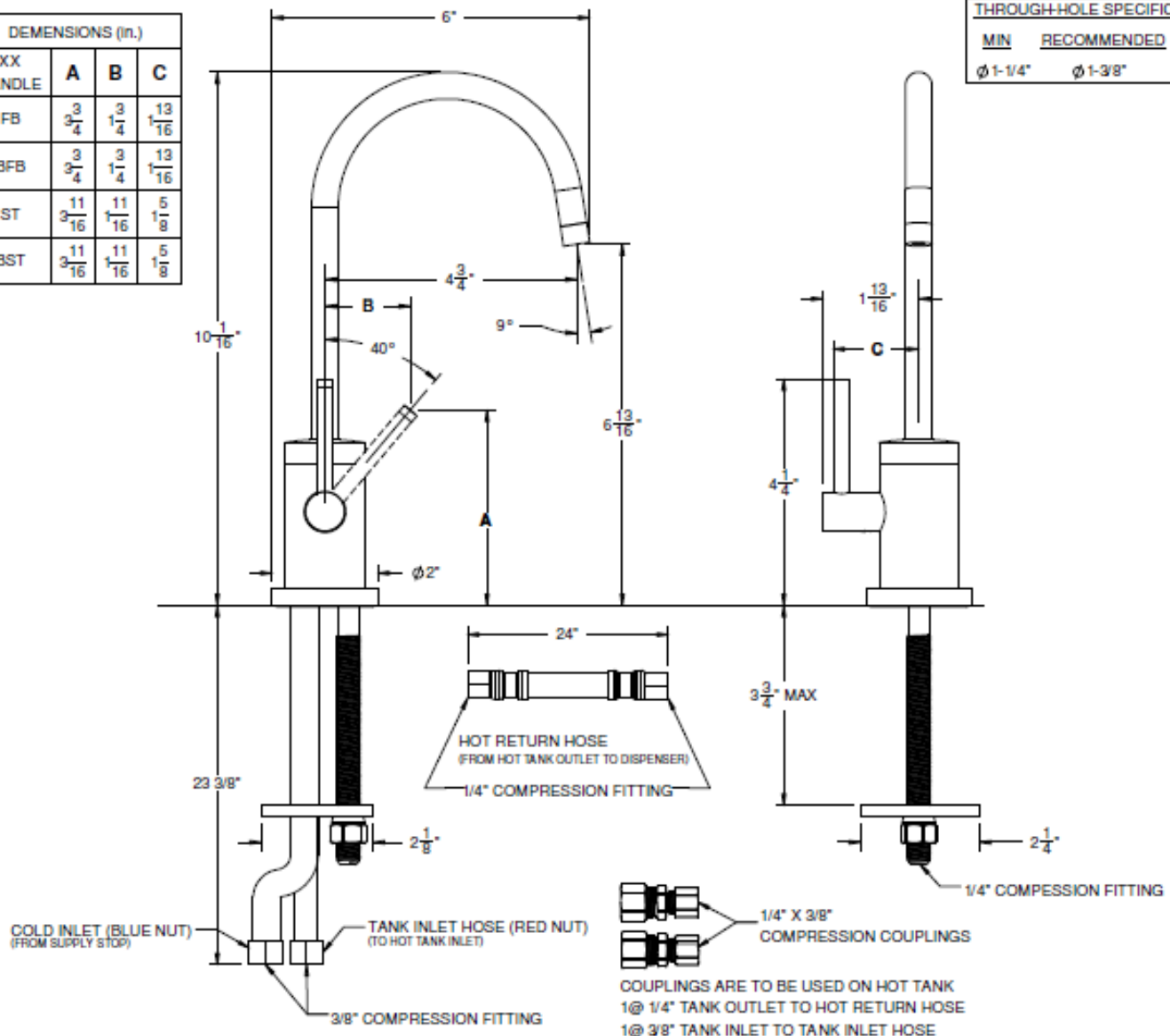
- ASME A112.18.1/CSA B125.1
- NSF 61 and NSF 372

CF-9625-K50-ST shown

XX - DENOTES HANDLE STYLE

DIMENSIONS (in.)			
XX HANDLE	A	B	C
FB	3 3/4	3 1/4	1 13/16
BFB	3 3/4	3 1/4	1 13/16
ST	3 11/16	3 1/16	5 1/8
BST	3 11/16	3 1/16	5 1/8

THROUGH-HOLE SPECIFICATIONS		
MIN	RECOMMENDED	MAX
ϕ 1-1/4"	ϕ 1-3/8"	ϕ 1-1/2"



COUPLINGS ARE TO BE USED ON HOT TANK
 1 @ 1/4" TANK OUTLET TO HOT RETURN HOSE
 1 @ 3/8" TANK INLET TO TANK INLET HOSE