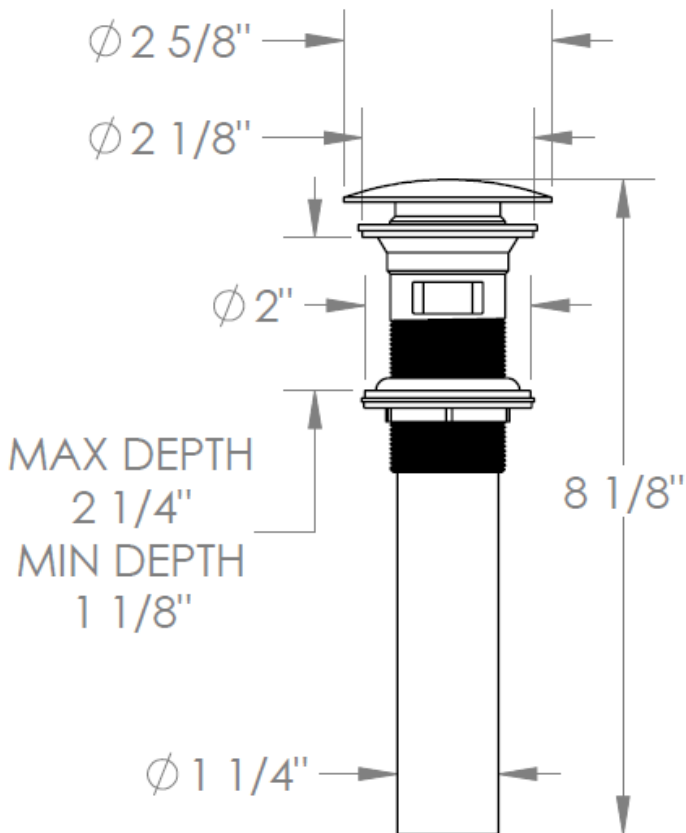
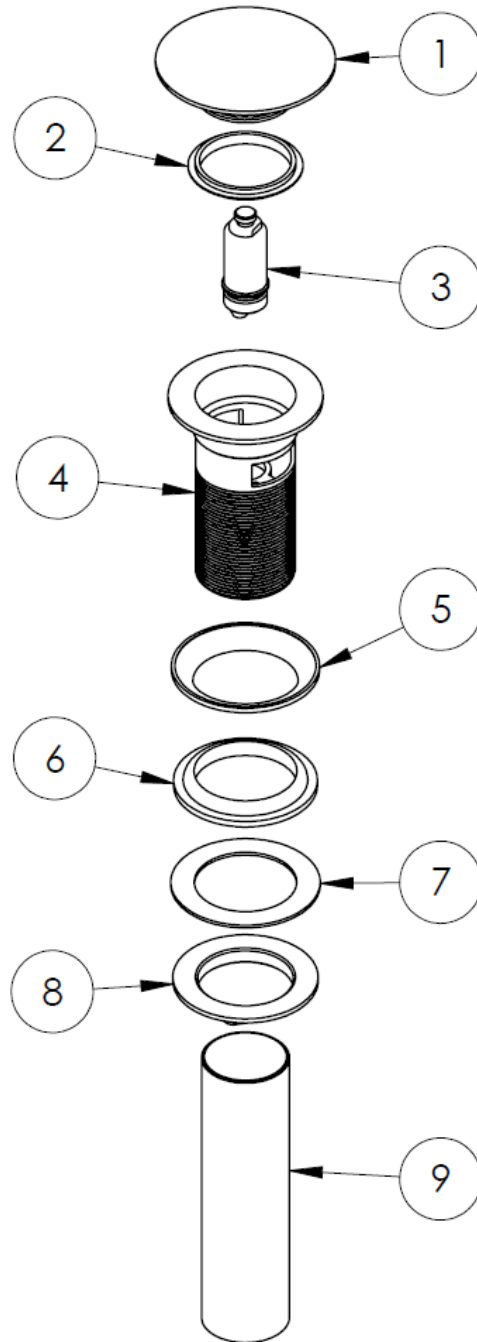


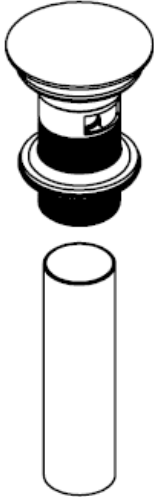
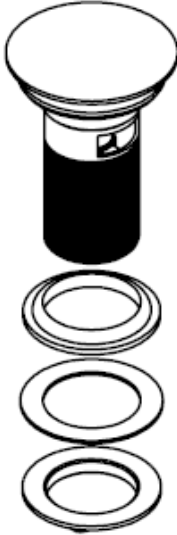

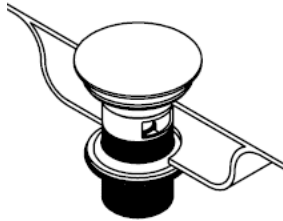
REJUVENATION

SOFT TOUCH POP-UP DRAIN FOR BATHROOM SINKS

With fully plated tale



| ITEM NO. | DESCRIPTION | QTY |
|----------|---------------|-----|
| 1 | Cap | 1 |
| 2 | Cap Gasket | 1 |
| 3 | Plunger | 1 |
| 4 | Body | 1 |
| 5 | Top Gasket | 1 |
| 6 | Bottom Gasket | 1 |
| 7 | Washer | 1 |
| 8 | Nut | 1 |
| 9 | Tail | 1 |

| <u>STEPS</u> | | | |
|--|--|---|--|
| <p>1. Unscrew the tail from the body.</p> |  | <p>2. Unscrew the nut and remove the washer and the bottom gasket from the body.</p> |  |
| <p>3. Place the rest of the drain into the sink from the top. Make sure the drain overflow port is aligned with the sink's overflow cavity cut-out. If the cap has a Watermark logo on it then make sure to align it to the desired orientation.</p> |  | <p>4. Place the bottom gasket on top of the nylon washer, then place the nylon washer on top of the nut, finally screw the nut back onto the body. Do not over tighten the nut.</p> |  |
| <p>5. Apply Teflon tape to the thread on the tail and screw the tail back into the body.</p> | <p>6. Connect the drain to the trap and check for leaks.</p> | | |

IMPORTANT INSTALLATION INFORMATION

- USE TEFLON TAPE OR PIPE SEALANT FOR THREADED CONNECTIONS
- DO NOT USE PLUMBER'S PUTTY ON ANY OF THE BRASS COMPONENTS
This will cause the finish to tarnish. A non-corrosive Alkoxy Silicone is recommended.
- DRAINS ARE ONLY UNDER WARRANTY FOR MECHANICAL FAILURE, NOT FOR FINISH DEFECTS

For technical support, please call 718-257-2800