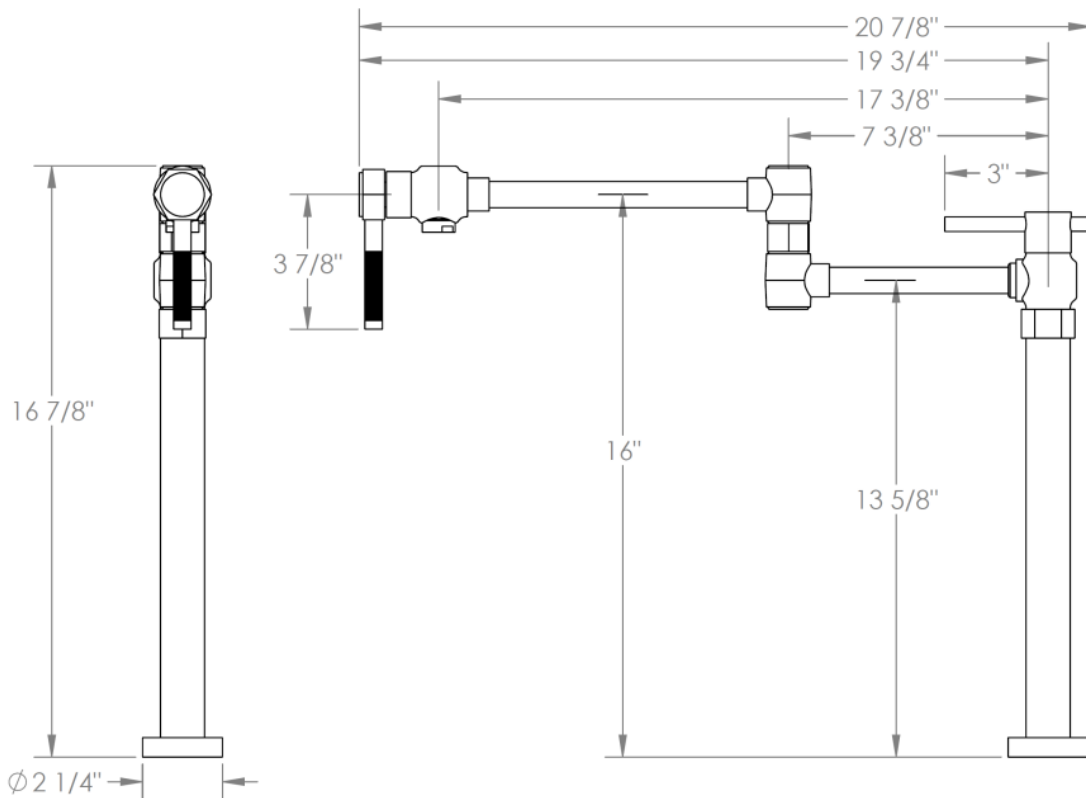


# REJUVENATION

www.rejuvenation.com

## SUTTON

### Deck Mounted Pot Filler



Meets the applicable requirements of ASME A112.18.1-2005/CSA B125.1-05, entitled "Plumbing Supply Fittings"

## WATERMARK DESIGNS

350 Dewitt Ave Brooklyn NY 11207 USA