

REJUVENATION

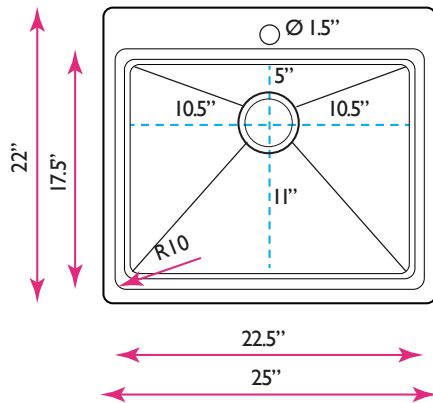
www.rejuvenation.com

Utility Sink

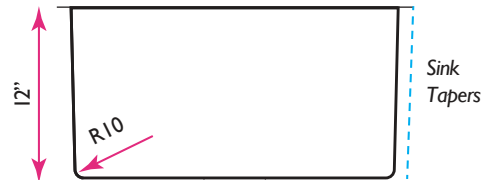
Stainless steel dualmount sink



Top View



Front View



OVERALL DIMENSIONS

25" x 22" x 12"

INTERIOR BOWL

22.5" x 17.5"

INTERIOR BOWL DEPTH

12"

DRAIN DIMENSIONS

3.5" Opening

FEATURES

- Premium 304, 16 gauge stainless steel kitchen or laundry sink
- Colander drain included
- Limited manufacturer's warranty
- Brushed satin finish
- Insulated to reduce condensation
- Rubber padding is applied for noise reduction
- Professional installation recommended
- Meets ASME A112.19.3-2017