

REJUVENATION

www.rejuvenation.com

REID CERAMIC UTILITY SINK

Features:

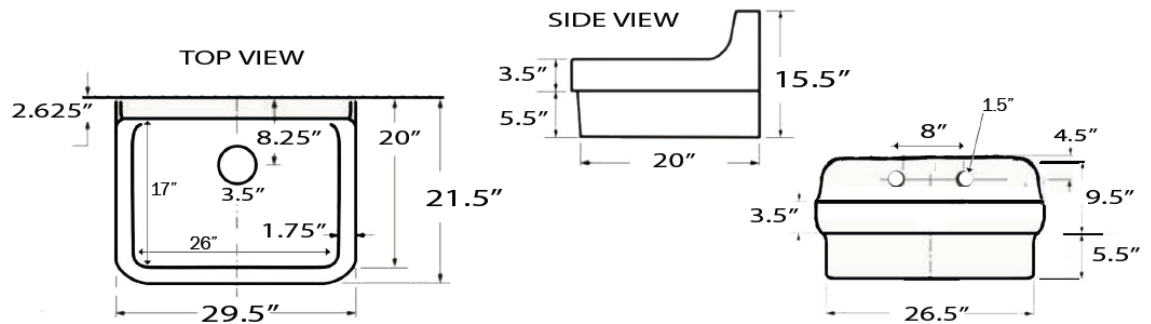
- Durable high density ceramic construction
- cUPC certified
- 2 pre-drilled faucet holes - 8 inch centers.
- Wall mount faucet required
- Fits standard 3.5" drain
- Installation type: Topmount/Support base required

Colors

Vitreous China with white enamel glaze

Interior Dimensions:

Exterior Dimensions: 29.5" W x 21.5" D x 15 1/2" H
 Interior Dimensions: Rear Deck Height 15 1/2"
 Exterior Bowl Depth: 9 Inches
 Interior Bowl Depth: 8 inches



Overall Dimensions	Interior Bowl	Exterior Bowl Height	Interior Bowl Depth	Drain Dimensions
29.5" x 21.5" x 15.5"	26" x 17" x 9.25"	9"	8"	3.5" Opening