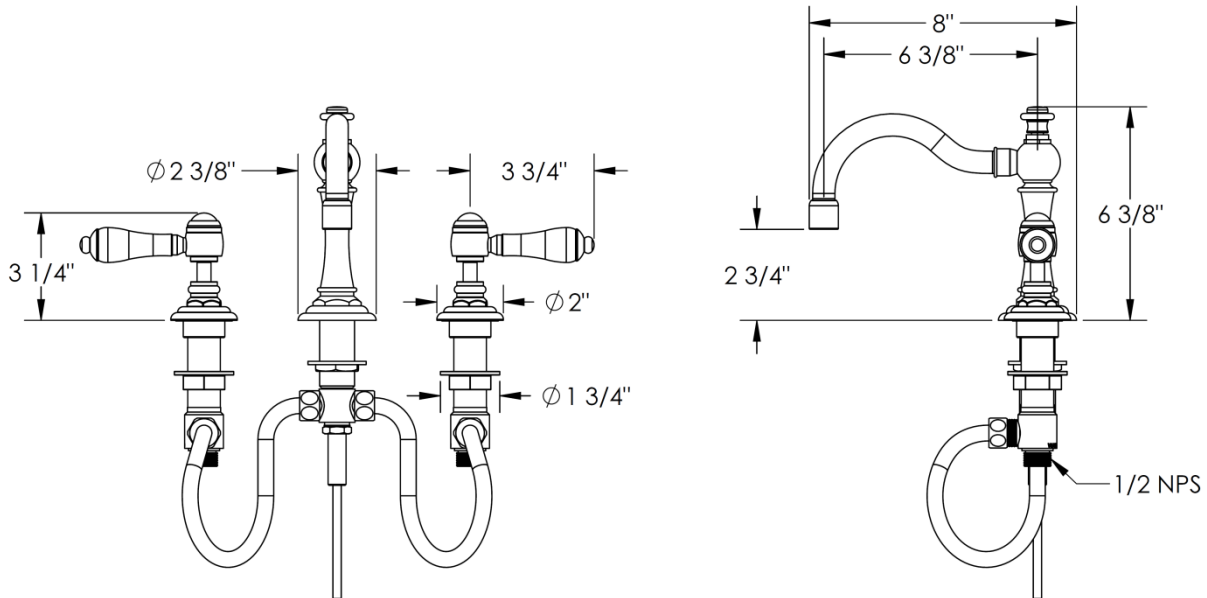


FEATURES

- ¼ turn washerless ceramic disc valve cartridges
- Flexible hose connection for 8" to 16" spread installations
- Flow rate 1.2 gpm (4.5 lpm) maximum flow rate
- Solid brass construction
- Listed by IAPMO, CSA, NSF, and other municipalities
- Warranty:
 - Limited lifetime warranty (residential use)
 - One year (commercial use)
- Shipping weight (lbs.) 10
- Shipping dimensions (in.): 29x12x4



ITEM NO.	PART NUMBER	QTY.
2	CON-2-SPT	1
8	AS568 - 010	1
11	NEOPERL CACHE AERATOR	1
12	172 BRASS WASHER	1
13	501-HEX-NUT	1
14	502-TEE-GSKT	1
15	502-TEE	1
16	O-018 O-RING	1
17	142-LOCK-NUT	2
18H/18C	SS-502 VALVE BODY	2
19H/19C	SS-502-CARTRIDGE	2
20	L4-TOP-LOCK-NUT	2
21	502-LIFT-ROD	1
22	502-LOCK-NUT	1
23	502-FLEX-HOSE	2

HANDLE TRIMS

CODE: S3



ITEM NO.	PART NUMBER	QTY.
1	S1-ESC-NUT	1
2	S1-STEM	1
3	S1-ESC	1
4	S3-POST	1
5	S3-PRCLN-LVR-INSRT	1
6	S3-POST-INSRT	1
7	D-LVR-END	1
8	S1-PRCLN-INSRT	1
9	S1-CAP-RING	1
10	.25-20x2.625-THRD-ROD	1
11	AS568 - 112	1
12	CR-FHMS 0.164-32x0.75x0.75-S	1

CODE: S1A



ITEM NO.	PART NUMBER	QTY.
1	S1-ESC	1
2	S1-ESC-NUT	1
3	S1-STEM	1
4	A-POST	1
5	S1A-LVR	1
6	A-POST-CAP	1
7	CR-PHMS 0.164-32x0.5x0.5-S	1

IMPORTANT INSTALLATION INFORMATION

- USE TEFLON TAPE OR PIPE SEALANT FOR THREADED CONNECTIONS
- DO NOT USE PLUMBER'S PUTTY ON ANY OF THE BRASS COMPONENTS
This will cause the finish to tarnish and void the warranty. A non-corrosive Alkoxy Silicone is recommended.
- DURING SWEATING OF LINES DO NOT OVERHEAT CASTING
Overheating may cause damage to internal mechanism
- COPPER ADAPTORS MAY BE REQUIRED TO COMPLETE YOUR INSTALLATION

For technical support, please call 888-401-1900

Rev. 1/1