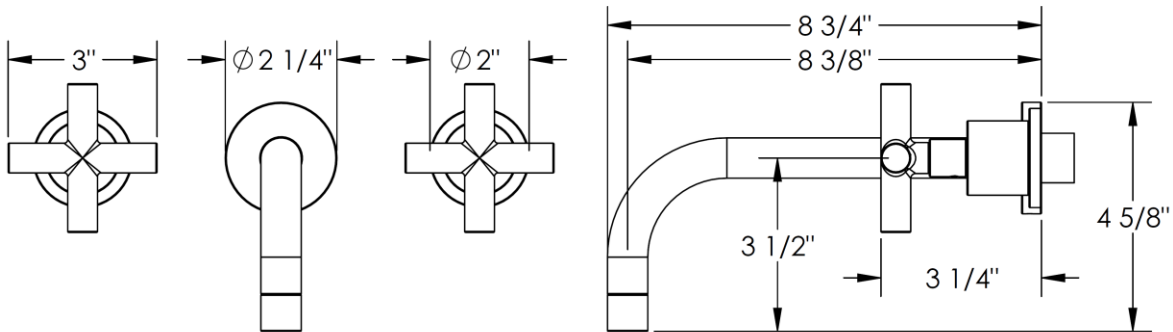


FEATURES

- ¼ turn washerless ceramic disc valve cartridges
- Flow rate 1.2 gpm (4.5 lpm) maximum flow rate
- Solid brass construction
- Listed by IAPMO, CSA, NSF, and other municipalities
- Warranty:
 - Limited lifetime warranty (residential use)
 - One year (commercial use)
- Shipping weight (lbs.) 10
- Shipping dimensions (in.): 29x12x4



ITEM NO.	PART NUMBER	QTY.
1	22-2.2-SPT	1
2	22-2.2-SPT-BASE	1
4	27-2-AERTR-SHLL	1
6	PCA Perlator TT - 1.2 GPM	1
7	SSCUPSKT 0.164-32x0.25-HX-N	1
8	TT Gasket	1
9	CL14-ESC-RING	2
10	CL14SM-ESC	2
11	CL15-POST	2
12	CL15-CRSS-HNDL	2
13	SSCUPSKT 0.164-32x0.1875-HX-S	2
14	CR-FHMS 0.164-32x0.625x0.625-S	2
15	SS-TS200 BODY	1
16	SS-TS150-NPPL	1
17	SS-TS150-PKNG-NUT	1
18	CRT503 CARTRIDGE	1

IMPORTANT INSTALLATION INFORMATION

- USE TEFLON TAPE OR PIPE SEALANT FOR THREADED CONNECTIONS
- DO NOT USE PLUMBER'S PUTTY ON ANY OF THE BRASS COMPONENTS
This will cause the finish to tarnish and void the warranty. A non-corrosive Alkoxy Silicone is recommended.
- DURING SWEATING OF LINES DO NOT OVERHEAT CASTING
Overheating may cause damage to internal mechanism
- COPPER ADAPTORS MAY BE REQUIRED TO COMPLETE YOUR INSTALLATION

For technical support, please call 888-401-1900