

REJUVENATION

Specifications
5-1/2' DOUBLE-END
PEDESTAL TUB

2019.11.18

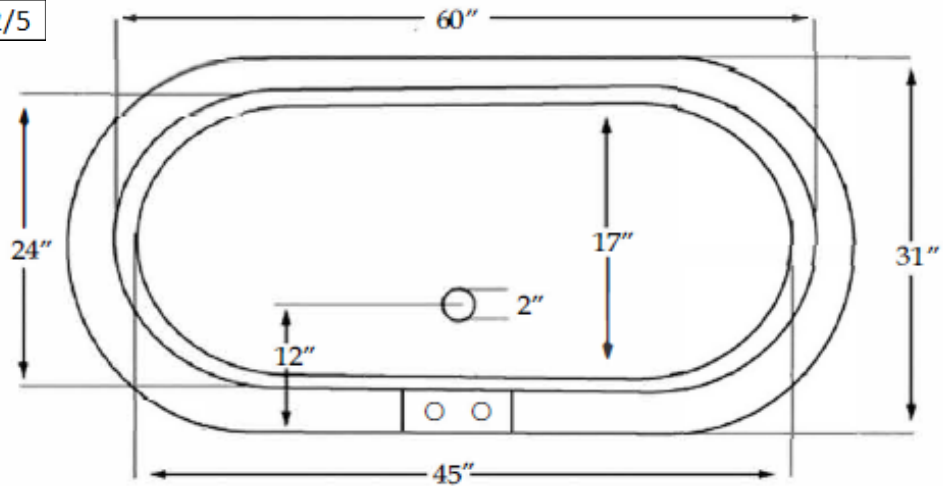
www.rejuvenation.com



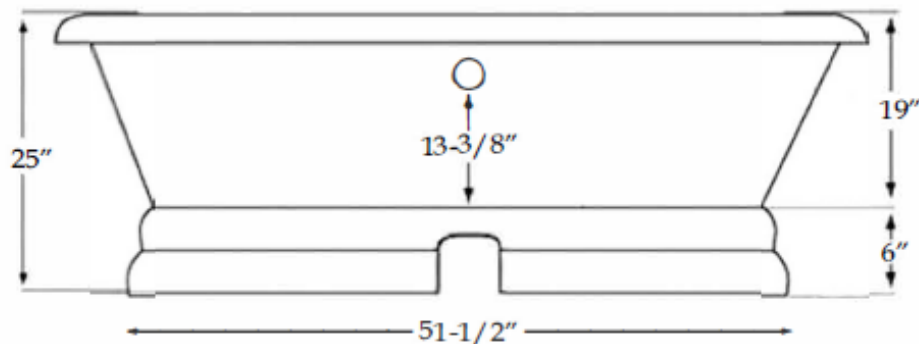
PRODUCT SPECIFICATIONS

- Porcelain over cast iron
- Drilled for 7" center deck-mount fillers
- Complete installation by purchasing a supply-line set, waste and overflow, and deck-mount tub filler (sold separately)
- Clean with mild, non-abrasive cleaner; occasionally a non-abrasive cleaner, like Barkeep's Friend, can be used to eliminate soap scum, rust stains, or hard water deposits

EMPTY (LB)	552
FILLED (LB)	969
CAPACITY (GAL)	50
WATER DEPTH (IN)	13 2/5



TOP VIEW



SIDE VIEW