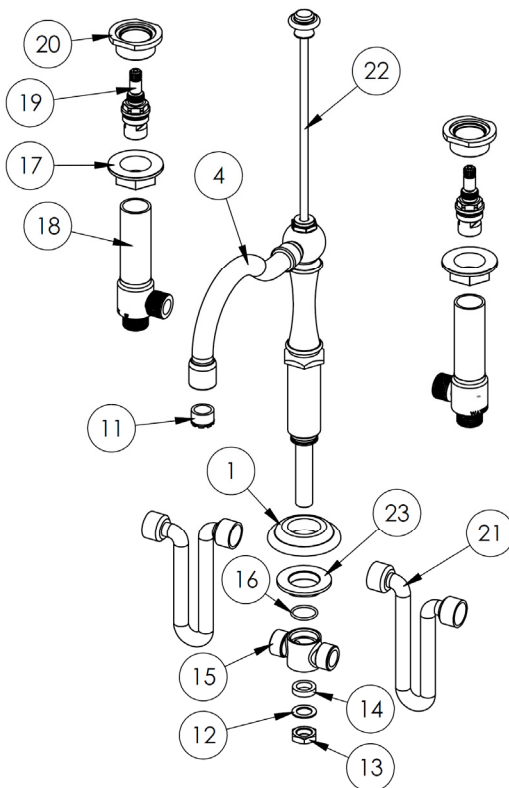
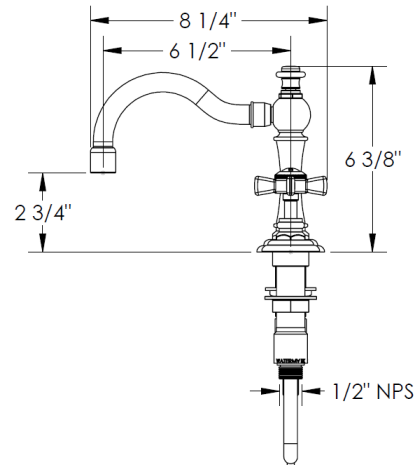
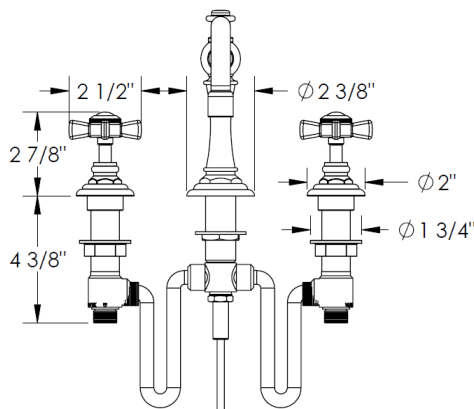


FEATURES

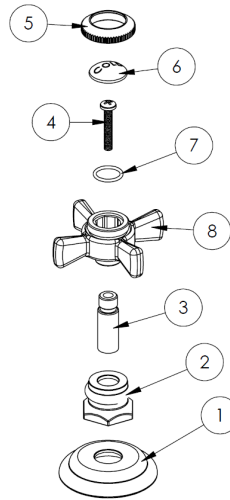
- ¼ turn washerless ceramic disc valve cartridges
- Flexible hose connection for 8" to 16" spread installations
- Flow rate 1.5 gpm (5.7 lpm) maximum flow rate
- Solid brass construction
- Listed by IAPMO, CSA, NSF, and other municipalities
- Warranty:
 - Limited lifetime warranty (residential use)
 - One year (commercial use)
- Shipping weight (lbs.) 10
- Shipping dimensions (in.): 29x12x4



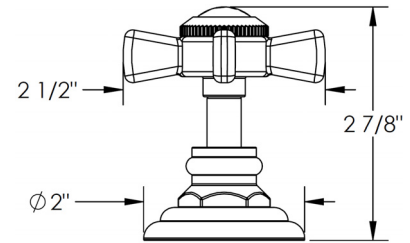
ITEM NO.	PART NUMBER	QTY.
1	CON-2-SPT-BASE	1
4	206-2 SPOUT-THE ONE	1
11	NEOPERL CACHE AERATOR	1
12	172 BRASS WASHER	1
13	501-HEX-NUT	1
14	502 T GASKET	1
15	502-TEE	1
16	O-018 O-RING	1
17	142-LOCK-NUT	2
18	SS-502 Valve Body	2
19	SS-502 Cartridge	2
20	L4-TOP-LOCK-NUT	2
21	SUPPLY HOSE	2
22	502-LIFT-ROD	1
23	502 LOCK NUT	1

HANDLE TRIM

CODE: C05



ITEM NO.	PART NUMBER	QTY.
1	S1-ESC	1
2	S1-ESC-NUT	1
3	S1-STEM	1
4	CR-PHMS 0.164-32x1x1-S	1
5	X-CAP-RING	1
6	X-PRCLN-INSRT	1
7	AS568 - 014	1
8	S1-HNDL-(COLD/HOT)	1



IMPORTANT INSTALLATION INFORMATION

- USE TEFLON TAPE OR PIPE SEALANT FOR THREADED CONNECTIONS
- DO NOT USE PLUMBER'S PUTTY ON ANY OF THE BRASS COMPONENTS
This will cause the finish to tarnish and void the warranty. A non-corrosive Alkoxy Silicone is recommended.
- DURING SWEATING OF LINES DO NOT OVERHEAT CASTING
Overheating may cause damage to internal mechanism
- COPPER ADAPTORS MAY BE REQUIRED TO COMPLETE YOUR INSTALLATION

For technical support, please call 888-401-1900

Rev. 1/1