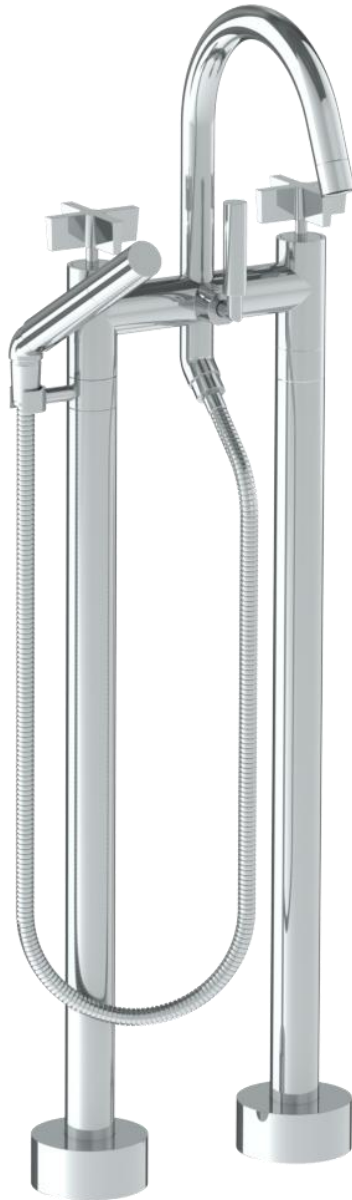


# REJUVENATION

[www.rejuvenation.com](http://www.rejuvenation.com)

## WEST SLOPE

Floor Mounted Tub Group with Handshower



Meets the applicable requirements of ASME A112.18.1-2005/CSA B125.1-05, entitled "Plumbing Supply Fittings"

**WATERMARK** DESIGNS

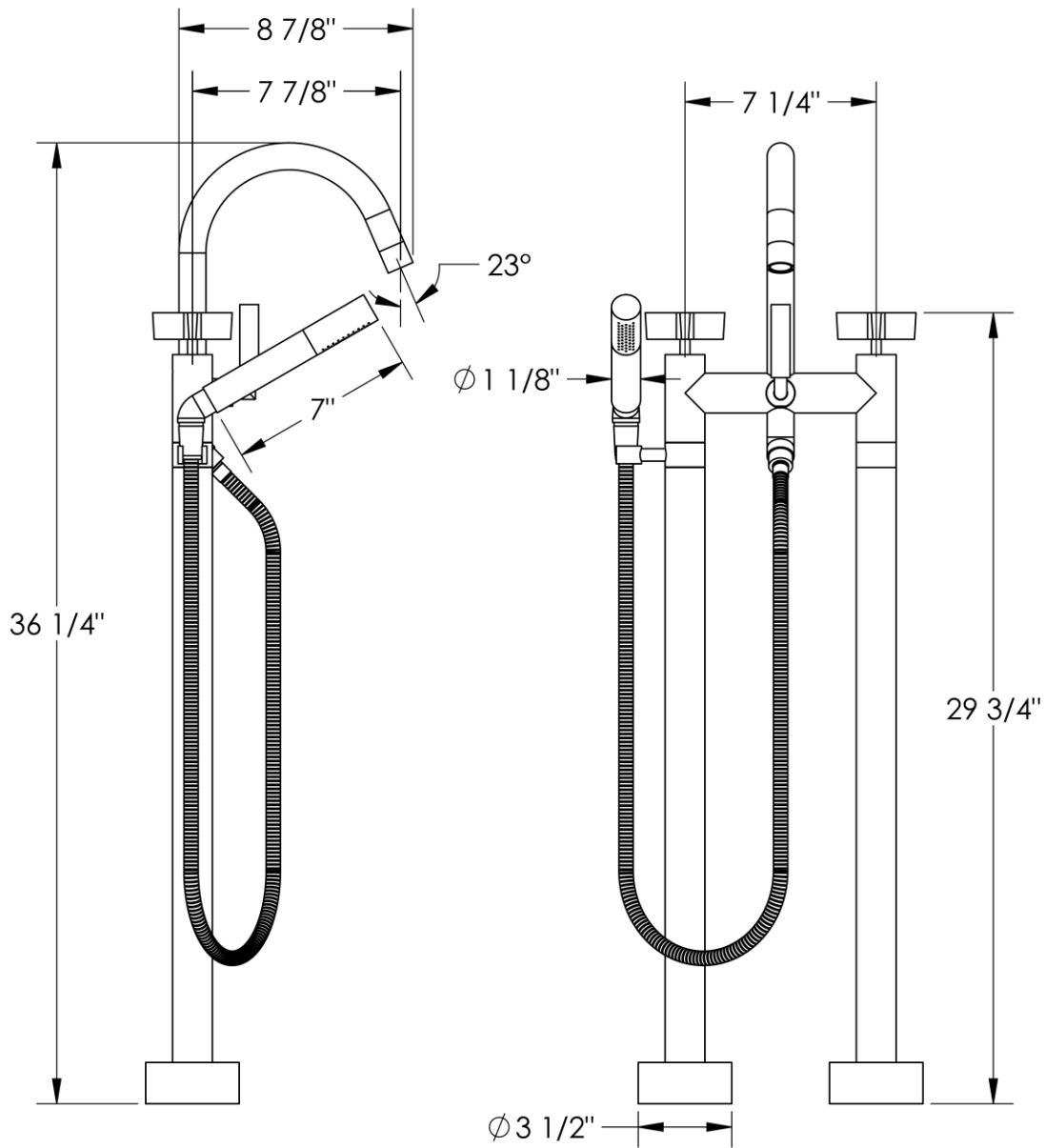
350 Dewitt Ave Brooklyn NY 11207 USA

# REJUVENATION

www.rejuvenation.com

## WEST SLOPE

Floor Mounted Tub Group with Handshower



Meets the applicable requirements of ASME A112.18.1-2005/CSA B125.1-05, entitled "Plumbing Supply Fittings"

## WATERMARK DESIGNS

350 Dewitt Ave Brooklyn NY 11207 USA