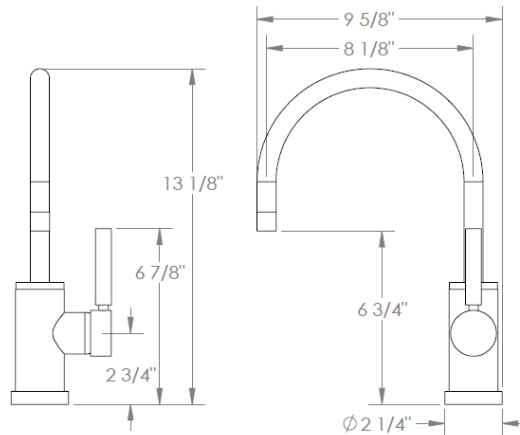
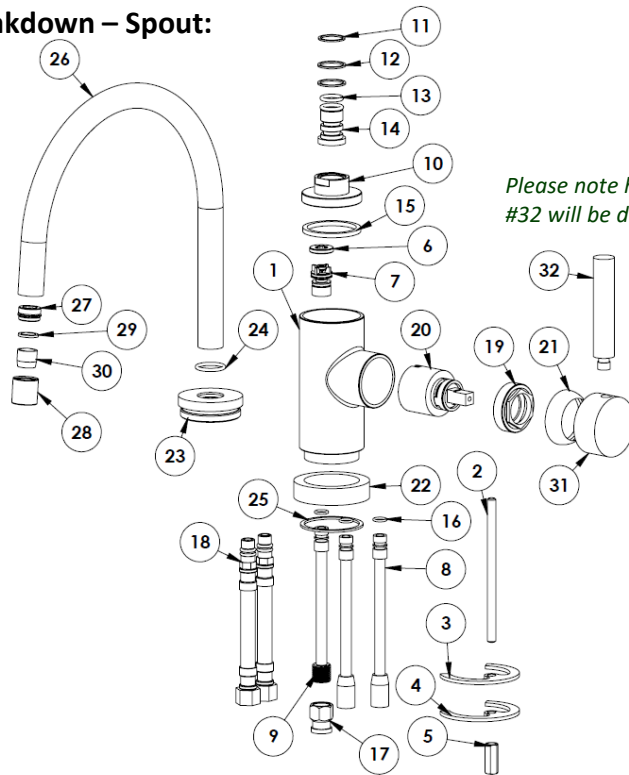


Specifications:



Parts Breakdown – Spout:



Please note handle #32 will be different

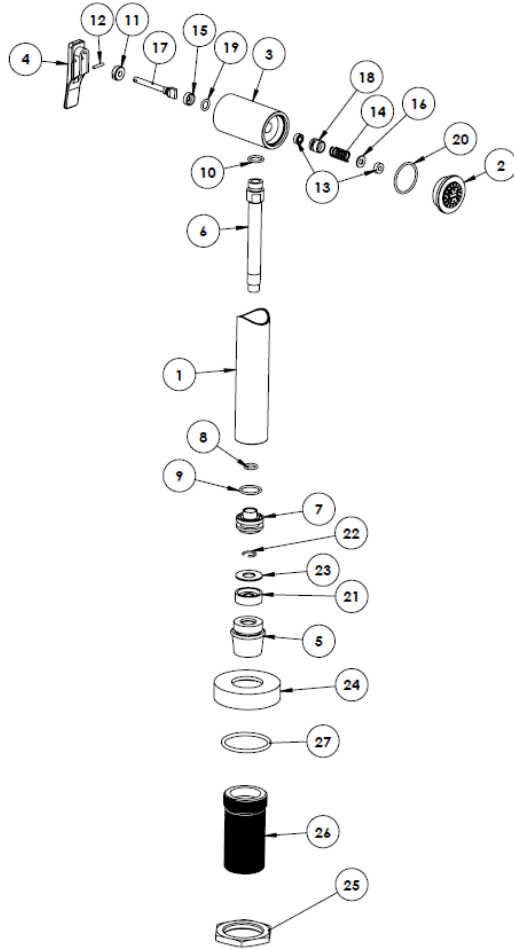
ITEM NO.	PART NUMBER	QTY.
1	24-7.4-BODY	1
2	SPT-MNTNG-KIT-1-SCRW	1
3	SPT-MNTNG-KIT-1-RBRR-WSHR	1
4	SPT-MNTNG-KIT-1-WSHR	1
5	SPT-MNTNG-KIT-1-NUT	1
6	24-7.4-DIV-NUT	1
7	NEOPERL BU.1009.1	1
8	24-7.4-SPPLY-HOSE-EXT	2
9	24-7.4-SPRY-HOSE-EXT	1
10	24-7.4-SWVL-ADAP (VL9T308N)	1
11	24-7.4-BRSS-WSHR (D1R902N)	1
12	24-7.4-PTFE-WSHR (D1S028N)	2
13	AS568 - 112	2
14	24-7.4-SPT-ADAP (VL4T185N)	1
15	24-7.4-SWVL-GSKT (D1R025N)	1
16	AS568 - 011	3
17	24-7.4-HOSE-ADAP	1
18	SPPLY-HOSE-3-8COMP-LONG	2
19	24-7.4-CRT-NUT	1
20	KEROX NKJ 35A	1
21	24-7.4-DOME	1
22	24-7.4-BASE-RING	1
23	24-7.4-BODY-NUT	1
24	AS568 - 909	1
25	24-7.4-BASE-GSKT (D1R033N)	1
26	24-7.4-SPT	1
27	24-7.4-AERTR-ADAP	1
28	24-2-AERTR-SHLL	1
29	24-7.4-AERTR-GSKT (D1R103N)	1
30	NEOPERL PCA PL TT 1.75GPM (44.3061.000)	1
31	24-7.4-HNDL-POST	1
32	24-7.4-HNDL-LVR	1

IMPORTANT INSTALLATION INFORMATION

- USE TEFLON TAPE OR PIPE SEALANT FOR THREADED CONNECTIONS
- DO NOT USE PLUMBER’S PUTTY ON ANY OF THE BRASS COMPONENTS
This will cause the finish to tarnish and void the warranty. A non-corrosive Alkoxy Silicone is recommended.
- DURING SWEATING OF LINES DO NOT OVERHEAT CASTING
Overheating may cause damage to internal mechanism
- COPPER ADAPTORS MAY BE REQUIRED TO COMPLETE YOUR INSTALLATION

For technical support, please call 718-257-2800

Parts Breakdown – Hand Spray:



ITEM NO.	PART NUMBER	QTY.
1	MSA6-SPRY-BODY	1
2	MSA6-SPRY-FACE-PLT	1
3	MSA6-SPRY-HEAD	1
4	MSA6-SPRAY	1
5	MSA4-HOSE-NUT	1
6	MSA6-INNR-NPPL	1
7	MSA4-INNR-NUT	1
8	AS568 - 011	1
9	AS568 - 015	1
10	AS568 - 012	1
11	MSA4-LVR-NUT	1
12	MSA4-PIN	1
13	MSA4-GSKT	2
14	MSA4-SPRNG	1
15	MSA4-SPRNG-CAP	1
16	9X4.2X.75-STL-WSHR	1
17	MSA4-PLNGR	1
18	MSA4-PLNGR-CAP	1
19	AS568 - 010	1
20	AS568 - 020	1
21	MSA4-HOSE-GSKT	1
22	MSA4-HOSE-RETAIN-RING	1
23	MSA4-HOSE-WSHR	1
24	H-B524-OUTR	1
25	H-B524-LOCK-NUT	1
26	H-B524-INNR	1
27	AS568 - 125	1

IMPORTANT INSTALLATION INFORMATION

- USE TEFLON TAPE OR PIPE SEALANT FOR THREADED CONNECTIONS
- DO NOT USE PLUMBER'S PUTTY ON ANY OF THE BRASS COMPONENTS
This will cause the finish to tarnish and void the warranty. A non-corrosive Alkoxy Silicone is recommended.
- DURING SWEATING OF LINES DO NOT OVERHEAT CASTING
Overheating may cause damage to internal mechanism
- COPPER ADAPTORS MAY BE REQUIRED TO COMPLETE YOUR INSTALLATION

For technical support, please call 718-257-2800