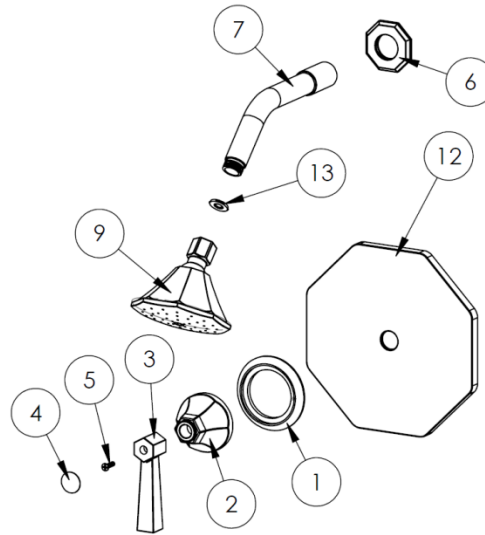


### FEATURES

- Diaphragm cartridge maintains water temperature within  $\pm 2^\circ$
- Compensates for water pressure fluctuations preventing scalding
- Flow rate: 5-7 gpm at 80 psi
- Solid brass construction
- Warranty:
  - Limited lifetime warranty (residential use)
  - One year (commercial use)
- Standard finishes:
  - polished chrome
  - polished nickel
  - aged brass
  - brushed nickel
  - oil-rubbed bronze
- Listed by IAPMO, CSA, NSF, & other municipalities
- Shipping weight (lbs.): 15.7
- Shipping dimensions(in.): 12 x 22.5 x13

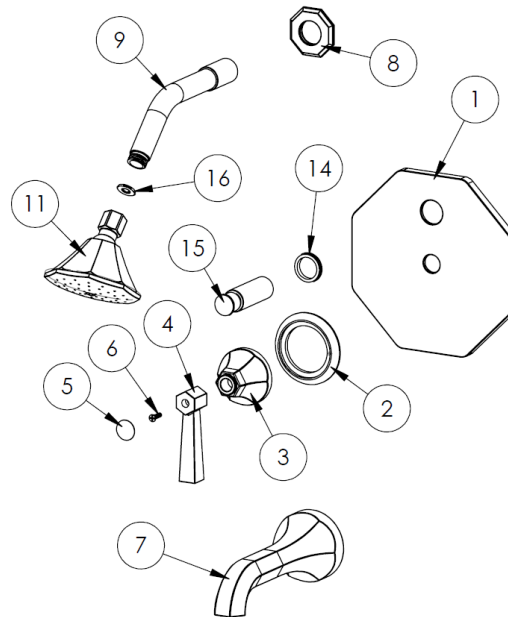
### Shower Kit:

ITEM NO.	PART NUMBER	QTY.
1	CN4-ESC-RING	1
2	X-ESC	1
3	AM1-LVR	1
4	SA1-POST-CAP	1
5	CR-FHMS 0.164-32x0.625x0.625-S	1
6	SS-403OCAF-FLNG	1
7	SS-LFT70AF-ARM	1
9	SH-OCT50 SHOWER HEAD	1
12	FACEPLATE	1
13	NEOPERL FLOW REGULATOR	1



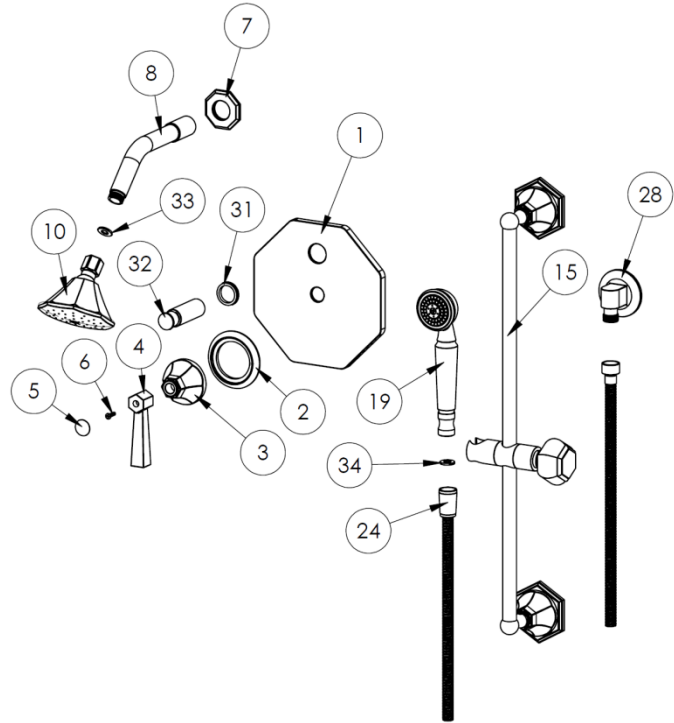
### Shower/Tub Kit:

ITEM NO.	PART NUMBER	QTY.
1	FACEPLATE	1
2	CN4-ESC-RING	1
3	X-ESC	1
4	AM1-LVR	1
5	SA1-POST-CAP	1
6	CR-FHMS 0.164-32x0.625x0.625-S	1
7	TBSPT-312	1
8	SS-403OCAF-FLNG	1
9	SS-LFT70AF-ARM	1
11	SH-OCT50 SHOWER HEAD	1
14	DIVERTER GROMMET	1
15	DIVERTER KNOB	1
16	NEOPERL FLOW REGULATOR	1



### Shower/Hand Shower Kit:

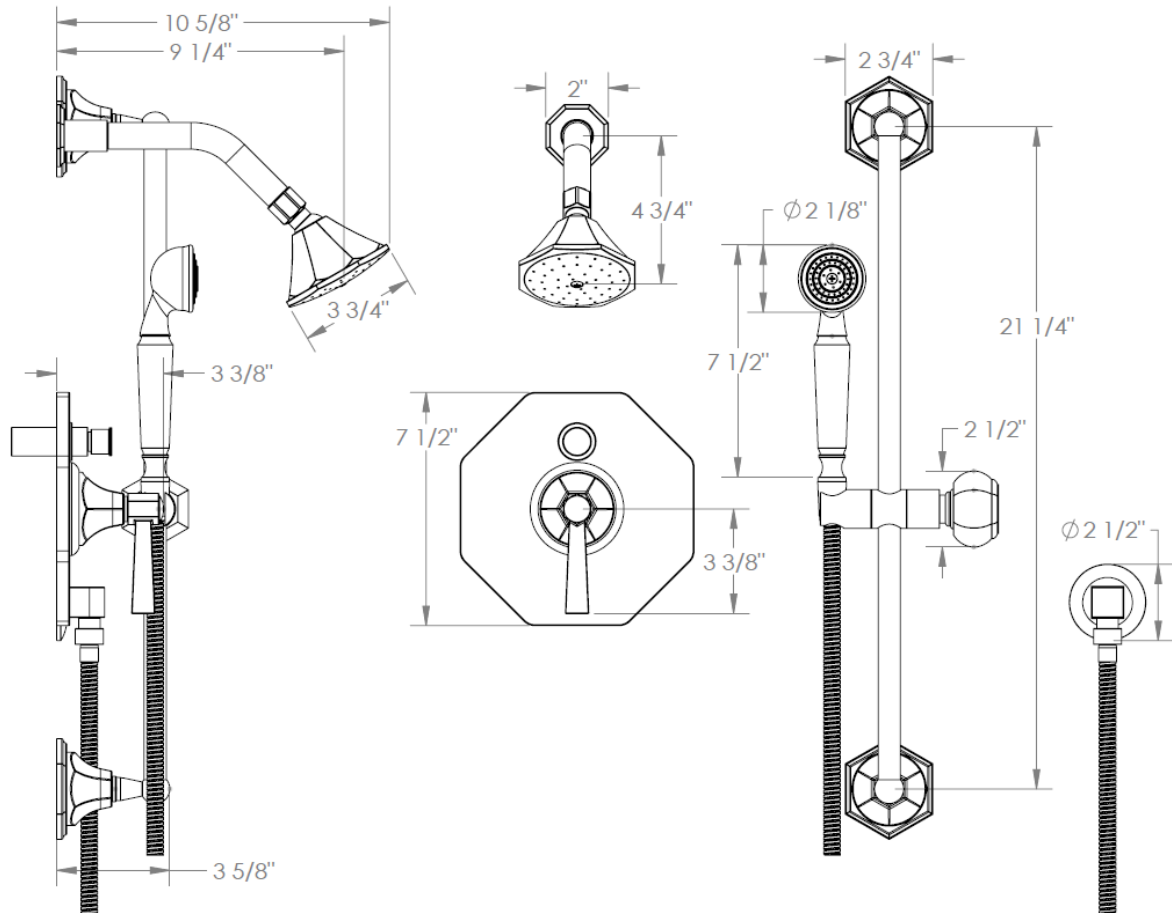
ITEM NO.	PART NUMBER	QTY.
1	FACEPLATE	1
2	CN4-ESC-RING	1
3	X-ESC	1
4	AM1-LVR	1
5	SA1-POST-CAP	1
6	CR-FHMS 0.164-32x0.625x0.625-S	1
7	SS-403OCAF-FLNG	1
8	SS-LFT70AF-ARM	1
10	SH-OCT50 SHOWER HEAD	1
15	POSITIONING BAR	1
19	SH-S525-B	1
24	DS-4079 HAND SHOWER HOSE	1
28	ELB-6001	1
31	DIVERTER GROMMET	1
32	DIVERTER KNOB	1
33	NEOPERL FLOW REGULATOR	1
34	NEOPERL WASHER FLOW REGULATOR	1



### Installation Instructions:

- 1. Ensure valve is properly installed according to Installation Sheet provided with valve.**  
Note: Specification from finished wall to tip of broached stem is 3 3/8".
- 2. Fit faceplate onto valve.**  
Note: for tub/shower valves with diverter, screw diverter knob onto diverter stem.
- 3. Insert handle trim onto stem broach so that escutcheon rests against faceplate and slight clearance is left for handle to rotate freely.**  
Note: When fitting handle it may be necessary to shorten broach stem and/or threaded nipple to eliminate gap between handle and escutcheon.
- 4. Install the hand shower assembly (if applicable).** Thread wall elbow onto 1/2" male NPT nipple. Secure mounting kits onto wall. Connect conical shape connection of hose onto hand shower and round connection onto elbow.

**Shower & Hand Shower Dimensions:**



**Tub Spout Dimensions:**



**IMPORTANT INSTALLATION INFORMATION**

- USE TEFLON TAPE OR PIPE SEALANT FOR THREADED CONNECTIONS
- DO NOT USE PLUMBER'S PUTTY ON ANY OF THE BRASS COMPONENTS  
This will cause the finish to tarnish and void the warranty. A non-corrosive Alkoxy Silicone is recommended.
- DURING SWEATING OF LINES DO NOT OVERHEAT CASTING  
Overheating may cause damage to internal mechanism
- COPPER ADAPTORS MAY BE REQUIRED TO COMPLETE YOUR INSTALLATION

**For technical support, please call 888-401-1900**

