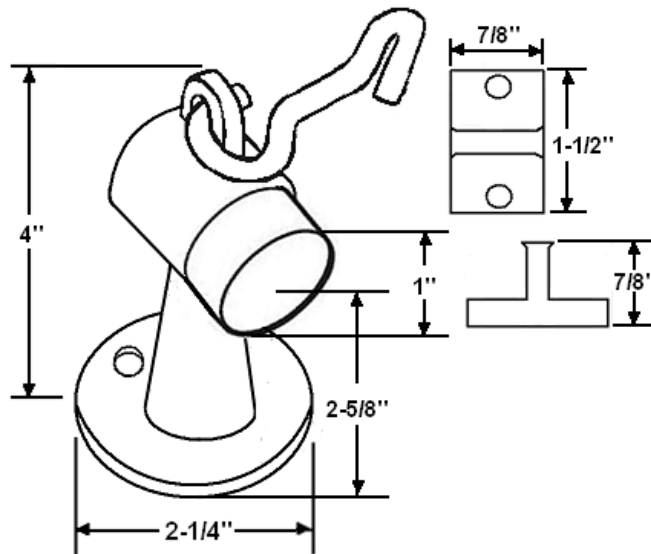


REJUVENATION

Installation Instructions Canon Doorstop with Hook



Dimensions:

- Overall Height: 4"
- Base Diameter: 2 ¼"
- Maximum Clearance: 2-5/8"
- Body Weight: 10.5 oz
- Total weight: 12 oz (includes all accessories)

Dimensions are for reference use only. For exact dimensions, please measure actual part.

Installation Instructions:

1. Locate stop in desired position on floor so door knob doesn't come in contact with wall.
2. Position and mark screw hole. Also mark another screw hole 4/5" directly in front of the first marking; this is for the hanger bolt.
3. Drill pilot holes. Use 3/16" drill bit for screw and 19/64" drill bit for hanger bolt.
4. Cover stop with cloth to protect finish. Screw stop securely to floor.
5. Position hook holder on door, at desired location, mounted vertically. Be sure the hook is able to reach the holder and that the door stop does not hit the holder. Mark screw holes.
6. Drill pilot holes for the holder, using 3/16" drill and mount the holder.



"Canon" Hook Stop