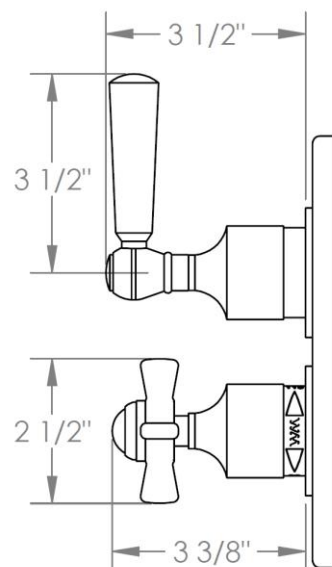
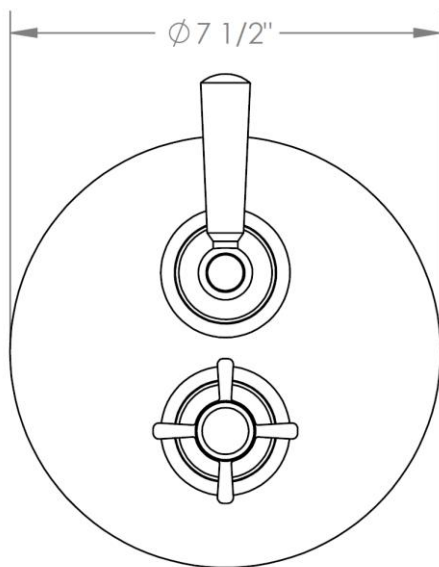


REJUVENATION

www.Rejuvenation.com

Connor

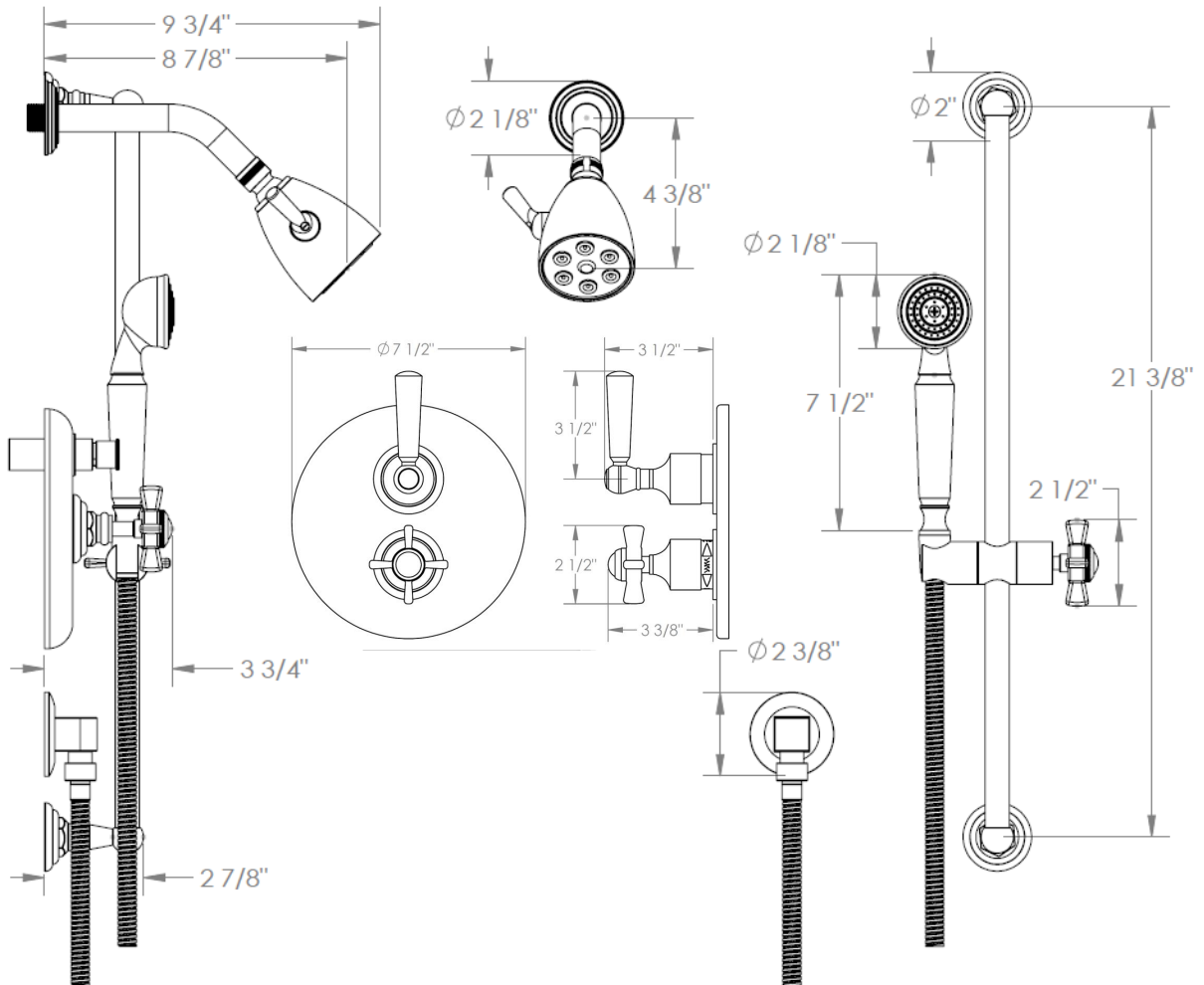
Trim Specs for Thermostatic shower sets



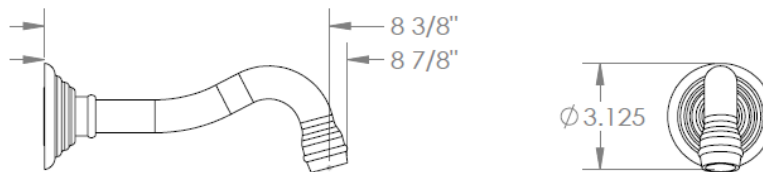
WATERMARK DESIGNS

350 Dewitt Ave Brooklyn NY 11207 USA

Shower & Hand Shower Dimensions:



Tub Spout Dimensions:



IMPORTANT INSTALLATION INFORMATION

- USE TEFLON TAPE OR PIPE SEALANT FOR THREADED CONNECTIONS
- DO NOT USE PLUMBER'S PUTTY ON ANY OF THE BRASS COMPONENTS
This will cause the finish to tarnish and void the warranty. A non-corrosive Alkoxo Silicone is recommended.
- DURING SWEATING OF LINES DO NOT OVERHEAT CASTING
Overheating may cause damage to internal mechanism
- COPPER ADAPTORS MAY BE REQUIRED TO COMPLETE YOUR INSTALLATION

For technical support, please call 888-401-1900